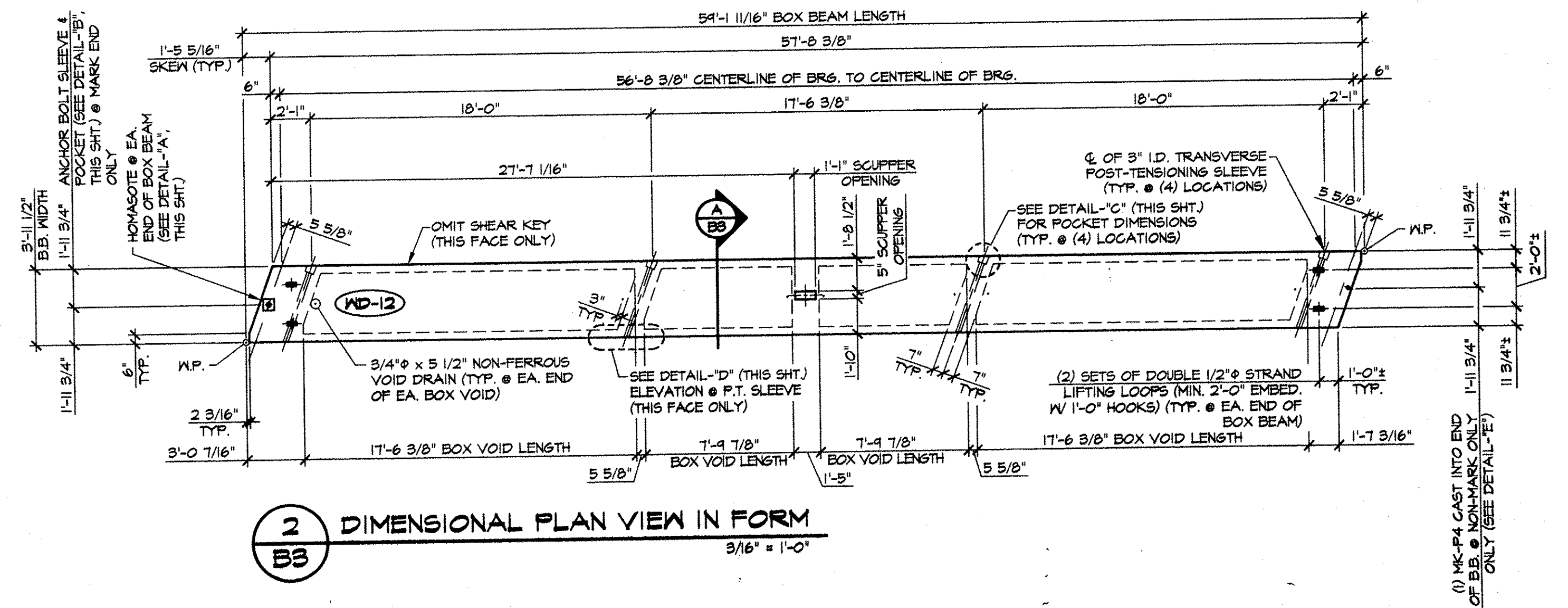
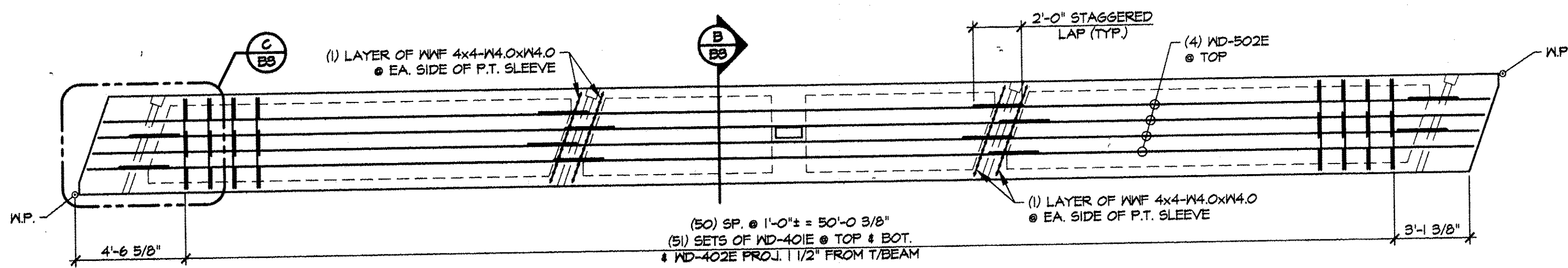


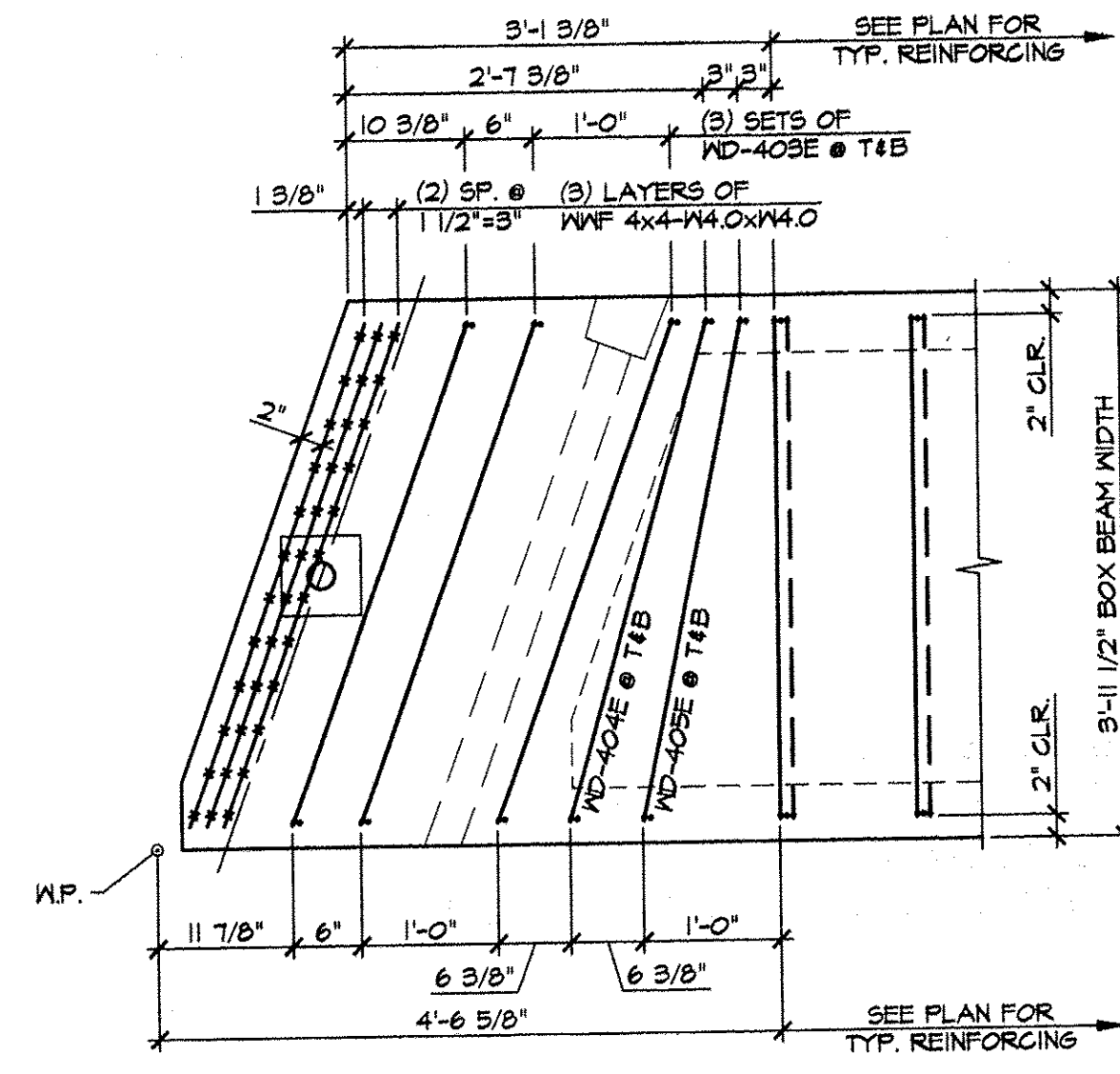
1 DIMENSIONAL PLAN VIEW IN FORM
3/16" = 1'-0"



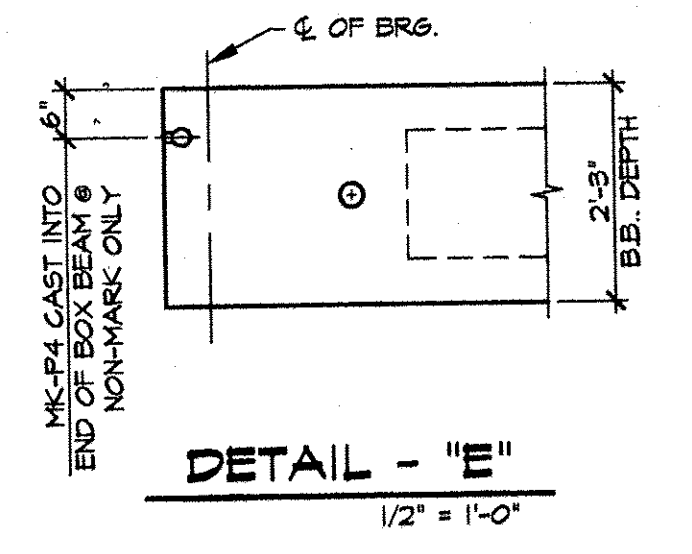
2 DIMENSIONAL PLAN VIEW IN FORM
3/16" = 1'-0"



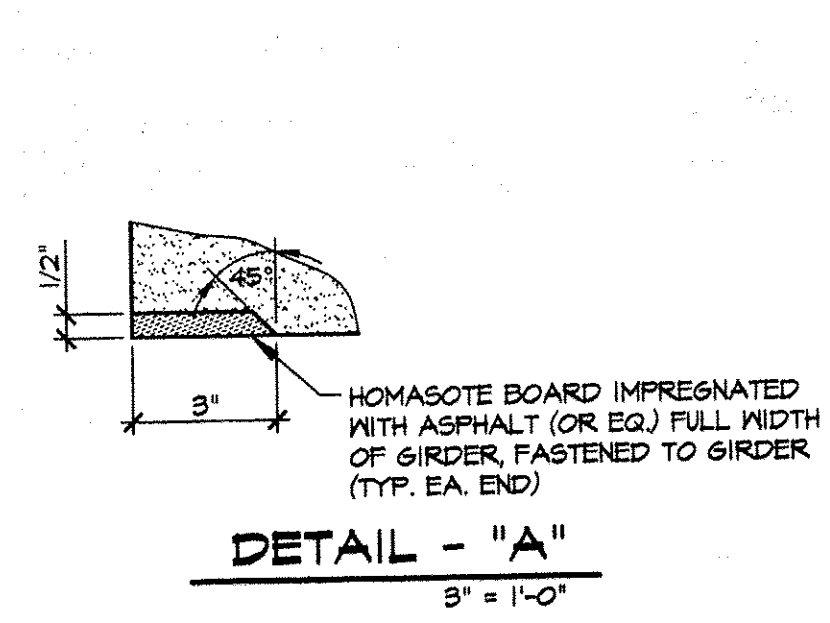
3 REINFORCING PLAN VIEW IN FORM
1/4" = 1'-0"



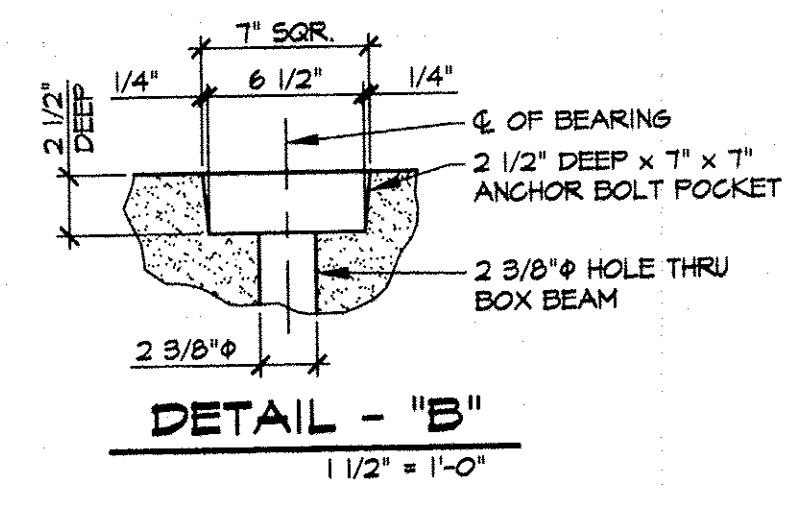
C END BLOCK REINFORCING PLAN
3/4" = 1'-0"



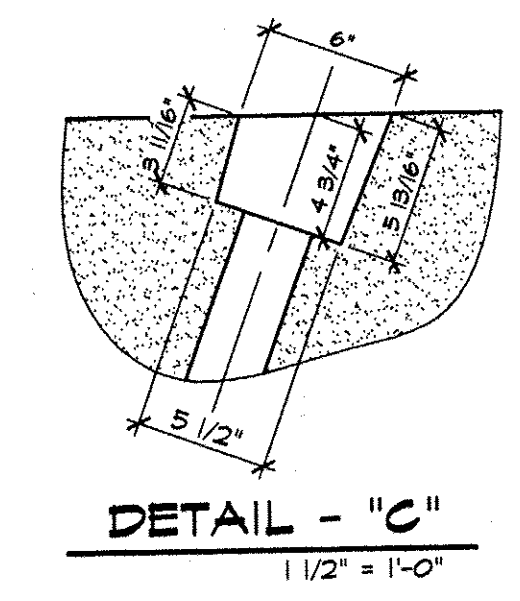
DETAIL - "E"
1/2" = 1'-0"



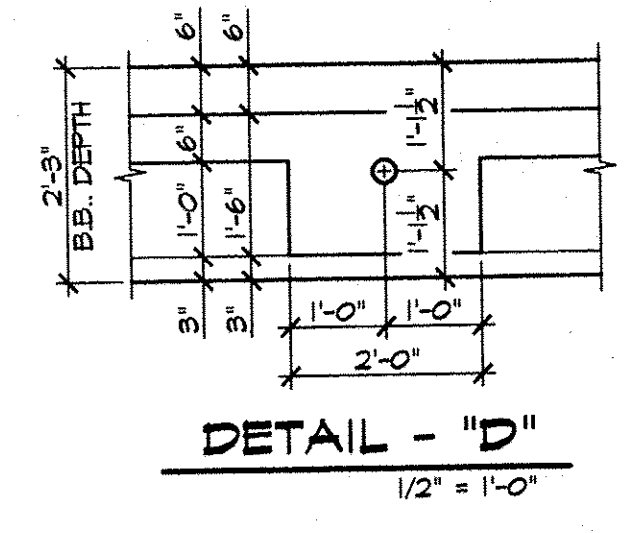
DETAIL - "A"
3" = 1'-0"



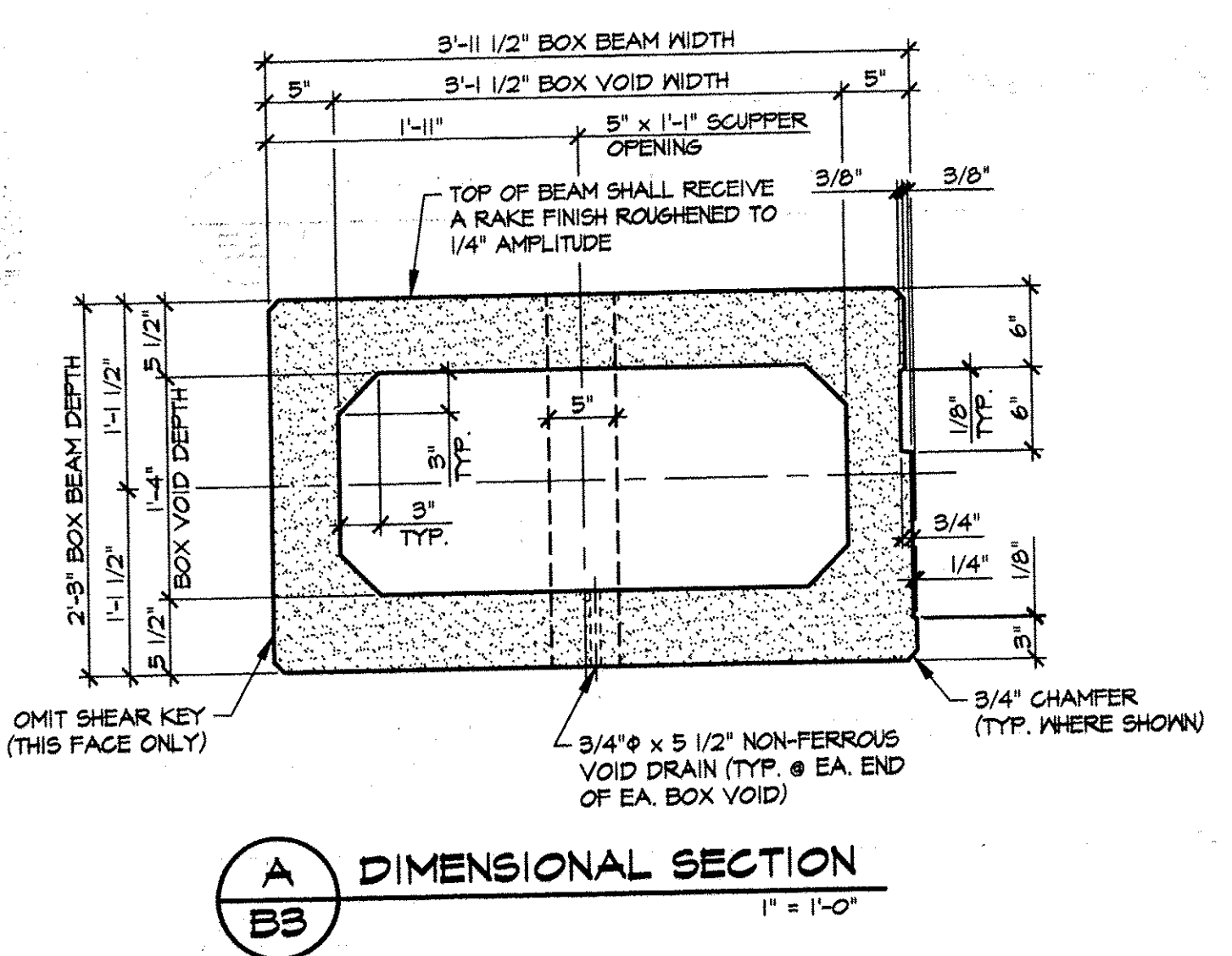
DETAIL - "B"
1 1/2" = 1'-0"



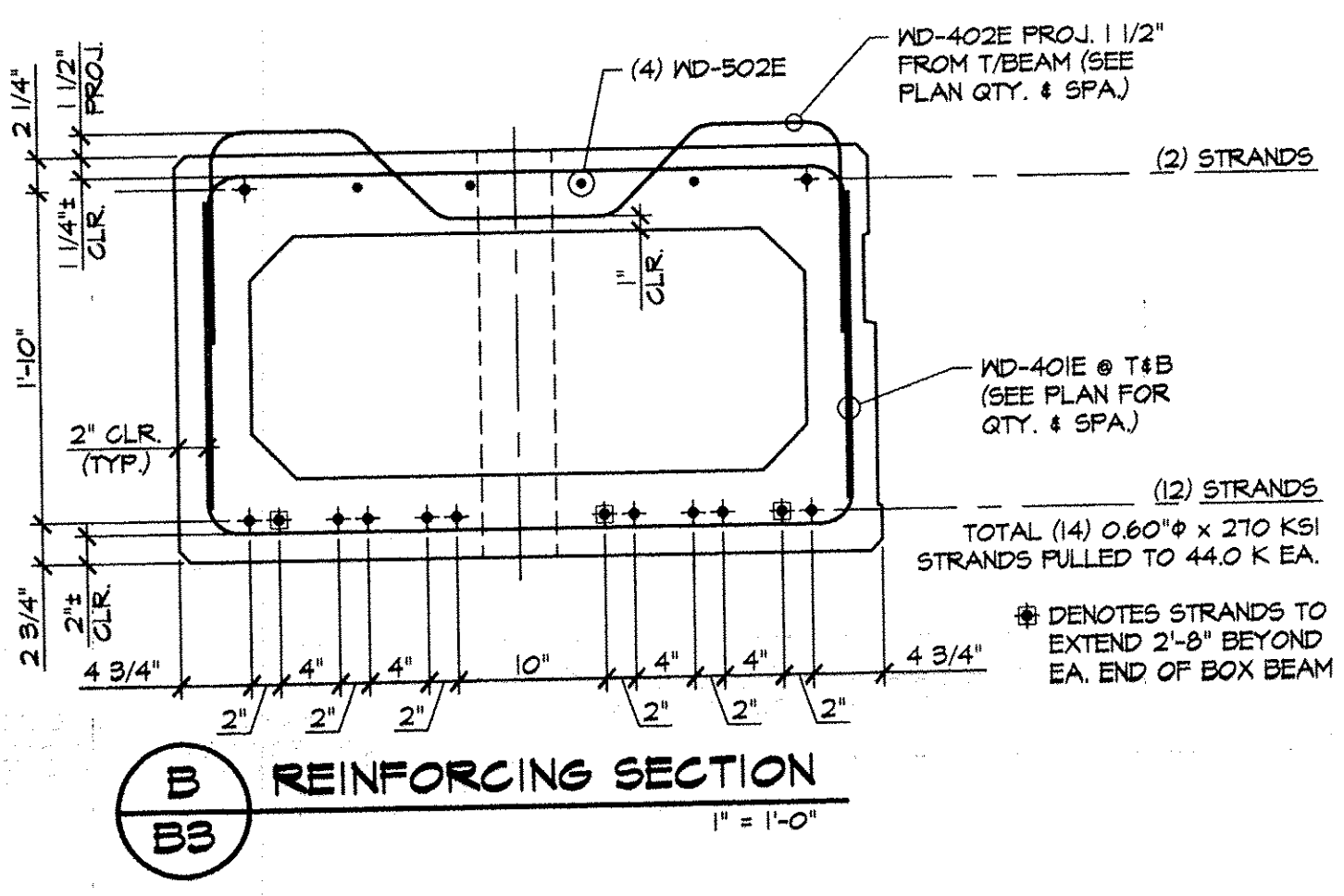
DETAIL - "C"
1 1/2" = 1'-0"



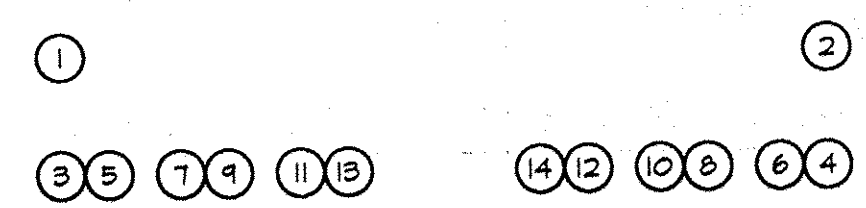
DETAIL - "D"
1/2" = 1'-0"



A DIMENSIONAL SECTION
1" = 1'-0"



B REINFORCING SECTION
1" = 1'-0"



DETENSIONING SCHEDULE
N.T.S.

- ▲ 4-11-01 RETURN "WD-2" DETAILS TO THIS SHEET
- ▲ 3-20-01 MOVE "WD-2" DETAILS TO SHEET "B3.1"
- ▲ 2-13-01 REVISE BOX VOIDS

MARK: WD-2	QTY.: 1	WT.: 17.84 T	VOL.: 11.49 cy
MARK: WD-12	QTY.: 1	WT.: 17.84 T	VOL.: 11.49 cy
MATERIAL LIST / BEAM			
ITEM	MARK	DESCRIPTION	QTY./BEAM
1	401E	#4 BENT BAR (EPOXY COATED)	102
2	402E	#4 BENT BAR (EPOXY COATED)	51
3	403E	#4 BENT BAR (EPOXY COATED)	12
4	404E	#4 BENT BAR (EPOXY COATED)	4
5	405E	#4 BENT BAR (EPOXY COATED)	4
6			
7			
8	502E	#5 x 57'-4" (E.C. W/ (3) 2'-0" STAGGERED LAPS)	4
9			
10		WVF 4x4-M4.0xM4.0 [1'-11 1/2" x 3'-10"]	10
11			
12			
13	MK-P4	DAYTON 1/2" F-42 LOOP FERRULE INSERT (GALV.)	1
14			
15		3'-1 1/2" x 1'-4" x 1'-4" 1/8" BOX VOID	2
16		3'-1 1/2" x 1'-4" x 17'-6 3/8" BOX VOID	2
17		3/4" x 5 1/2" NON-FERROUS VOID DRAIN	8
18		DOUBLE 1/2" STRAND LIFTING LOOPS	4
19			

APPROVAL STAMP:

J.P. CARRARA & SONS INC. Precast & Prestress Manufacturer 244 CASE ST., MIDDLEBURY, VERMONT 05753 Phone: (802)388-6361 Fax: (802)388-9010	T. BUCK CONSTRUCTION, INC. CONTRACTOR AUBURN, MAINE
	DATE: JAN. 9, 2007 SCALE: NOTED
STATE OF VERMONT A.O.T. COUNTY OF WINDSOR	CHKD: D.F. DFTM: B.L.
TOWN OF WOODSTOCK US ROUTE 4 OVER OTTAUQUECHEE RIVER BRIDGE NO. 50 PROJECT NO. BHP 020-2(32)	JOB NO: 23249-06
P/S BOX BEAM DETAILS	DWG. NO: B3