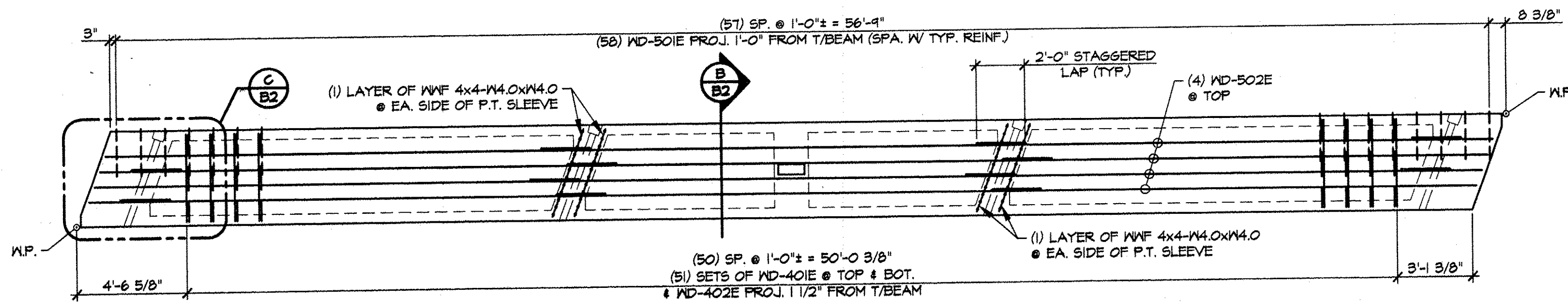
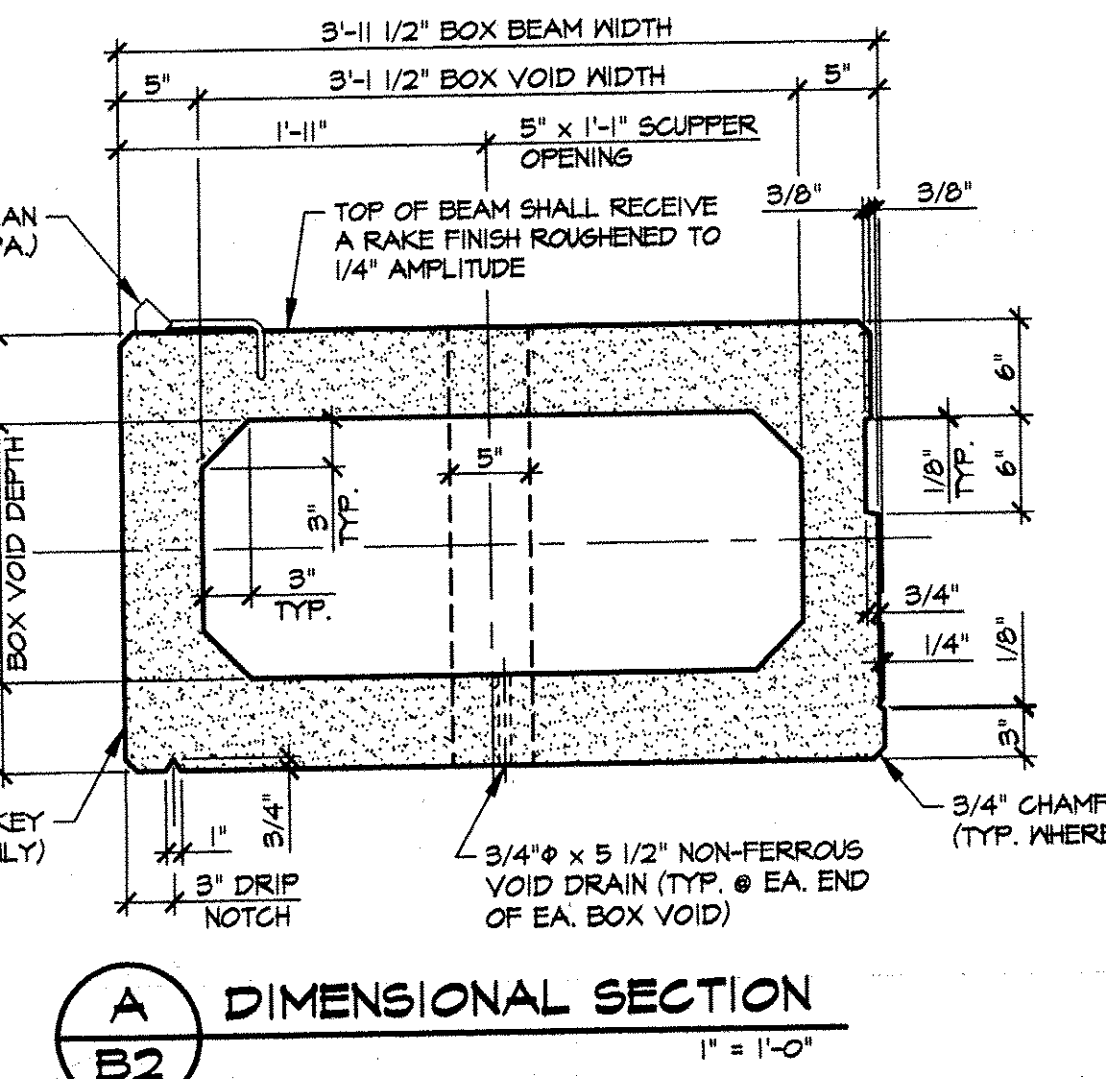
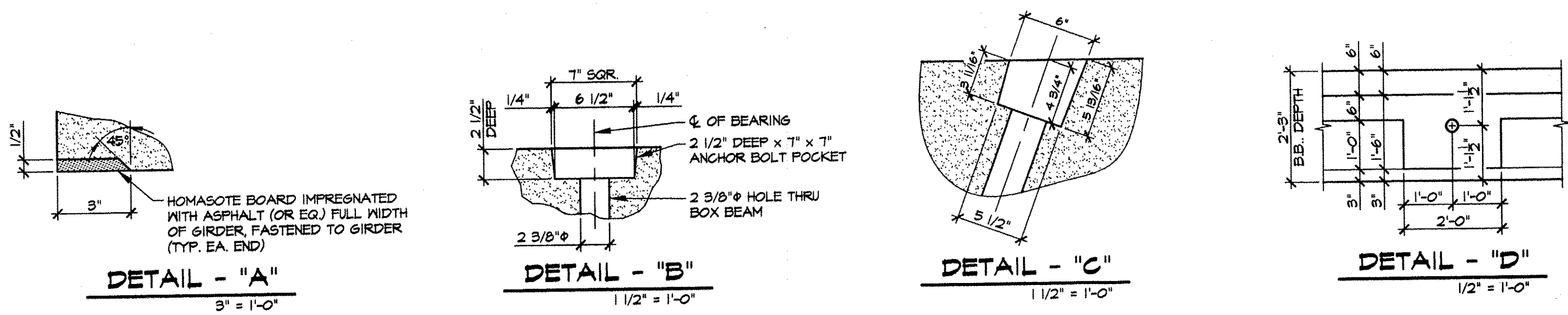


SEE SHEET B2.1 FOR 'MD-13' BOX BEAM DETAILS

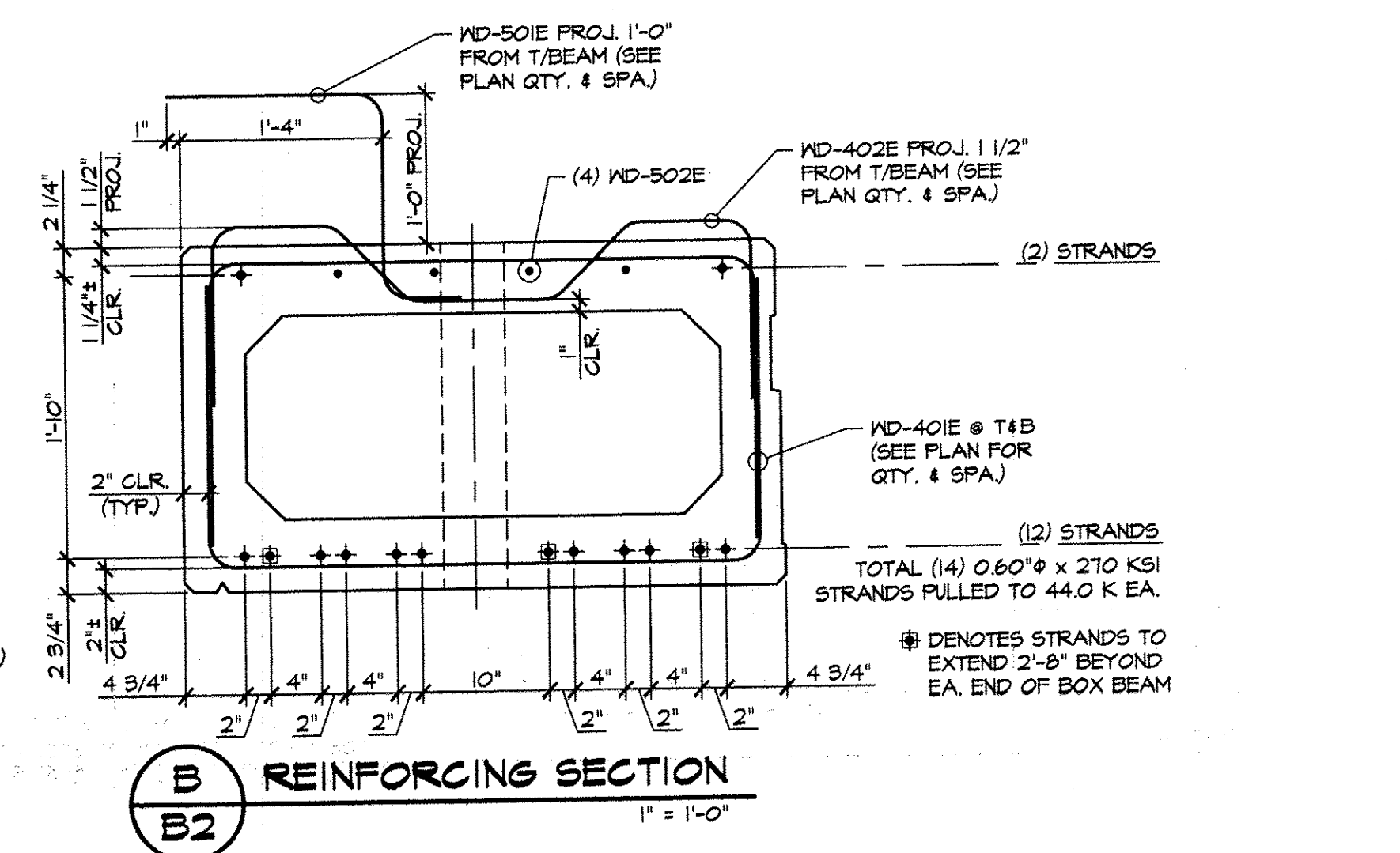
1 DIMENSIONAL PLAN VIEW IN FORM
B2 3/16" = 1'-0"



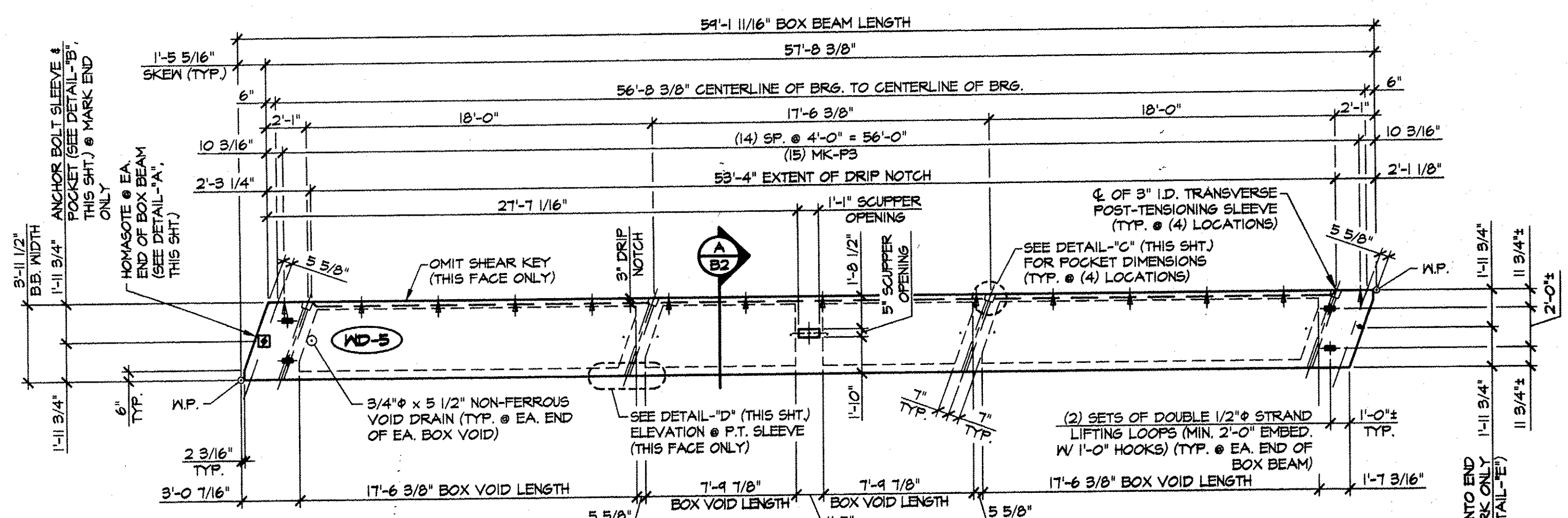
3 REINFORCING PLAN VIEW IN FORM
B2 1/4" = 1'-0"



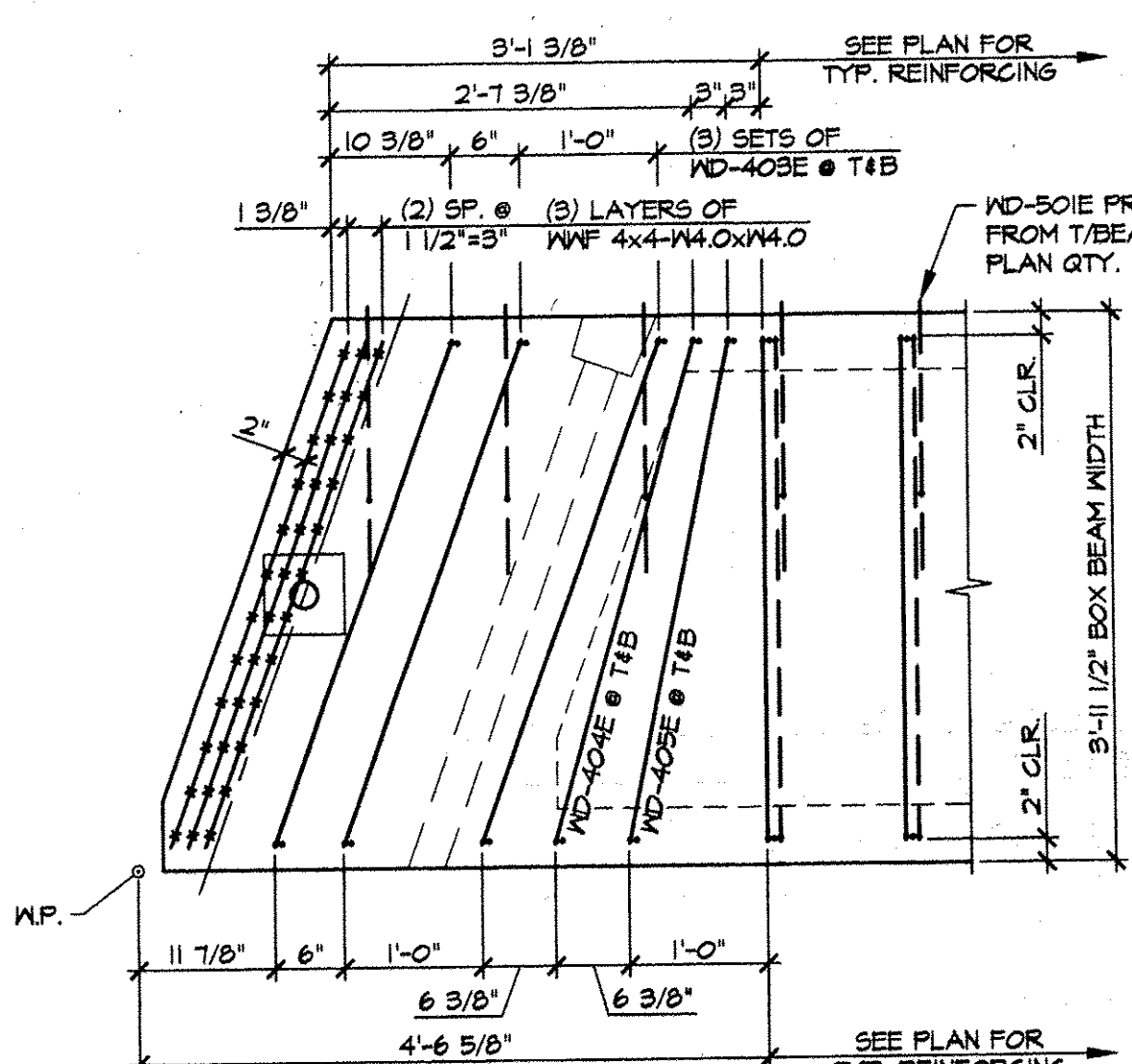
A DIMENSIONAL SECTION
B2 1" = 1'-0"



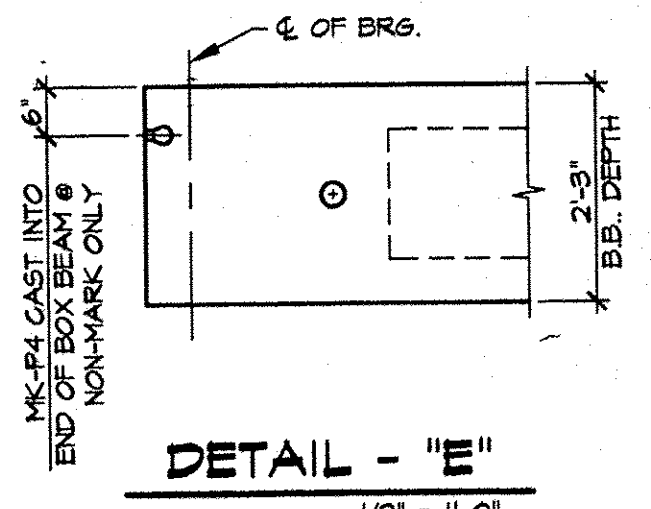
B REINFORCING SECTION
B2 1" = 1'-0"



2 DIMENSIONAL PLAN VIEW IN FORM
B2 3/16" = 1'-0"



C END BLOCK REINFORCING PLAN
B2 3/4" = 1'-0"



E 1/2" = 1'-0"

① ②
③ ⑤ ⑦ ⑨ ⑪ ⑬ ⑭ ⑫ ⑩ ⑧ ⑥ ④

DETENSIONING SCHEDULE
N.T.S.

3-4-07 MOVE 'MD-13' DETAILS TO SHEET 'B2.1'
2-13-07 REVISE BOX VOIDS

APPROVAL STAMP:

MARK:	QTY.:	WT.:	VOL.:
MARK: MD-5	QTY.: 1	WT.: 17.84 T	VOL.: 11.49 cy
MATERIAL LIST / BEAM			
ITEM	MARK	DESCRIPTION	QTY./BEAM
1	401E	#4 BENT BAR (EPOXY COATED)	102
2	402E	#4 BENT BAR (EPOXY COATED)	51
3	403E	#4 BENT BAR (EPOXY COATED)	12
4	404E	#4 BENT BAR (EPOXY COATED)	4
5	405E	#4 BENT BAR (EPOXY COATED)	4
6			
7	501E	#5 BENT BAR (EPOXY COATED)	50
8	502E	#5 x 57'-4" (E.G. W (3) 2'-0" STAGGERED LAPS)	4
9			
10		WVF 4x4-W4.0xW4.0 [1'-11 1/2" x 3'-10"]	10
11			
12			
13	MK-P4	DAYTON 1/2" F-42 LOOP FERRULE INSERT (GALV.)	1
14	MK-P3	DAYTON C-24 TYPE 4-APR PRESS-STEEL PRECAST HALF HANGER (GALV.)	15
15		3'-1 1/2" x 1'-4" x 7'-4 1/8" BOX VOID	2
16		3'-1 1/2" x 1'-4" x 17'-6 3/8" BOX VOID	2
17		3/4" x 5 1/2" NON-FERROUS VOID DRAIN	8
18		DOUBLE 1/2" STRAND LIFTING LOOPS	4
19			

J.P. CARRARA & SONS INC.
Precast & Prestress Manufacturer
2464 CASE ST., MIDDLEBURY, VERMONT 05753 Phone: (802)388-6361 Fax: (802)388-9010

T. BUCK CONSTRUCTION, INC.
CONTRACTOR
AUBURN, MAINE

DATE: JAN. 9, 2007
SCALE: NOTED
CHKD: D.F. DFTM: B.L.
JOB NO: 23249-06
DWG. NO: **B2**

STATE OF VERMONT A.O.T.
COUNTY OF WINDSOR

TOWN OF WOODSTOCK
US ROUTE 4 OVER OTTAUQUECHEE RIVER
BRIDGE NO. 50 PROJECT NO. BHP 020-2(32)

F/S BOX BEAM DETAILS