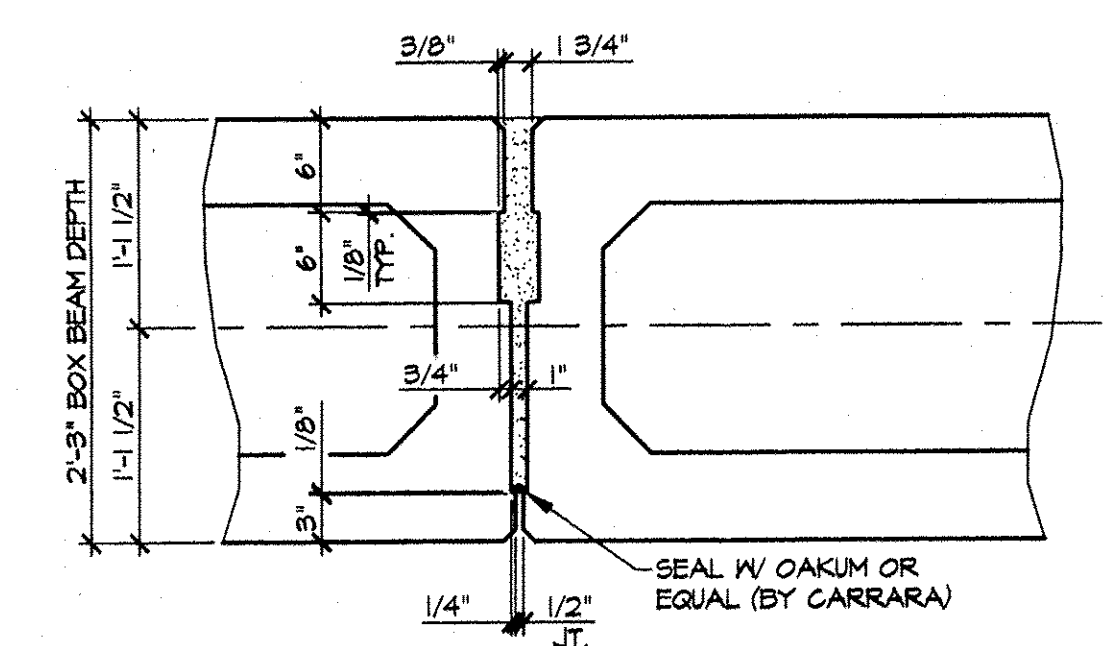
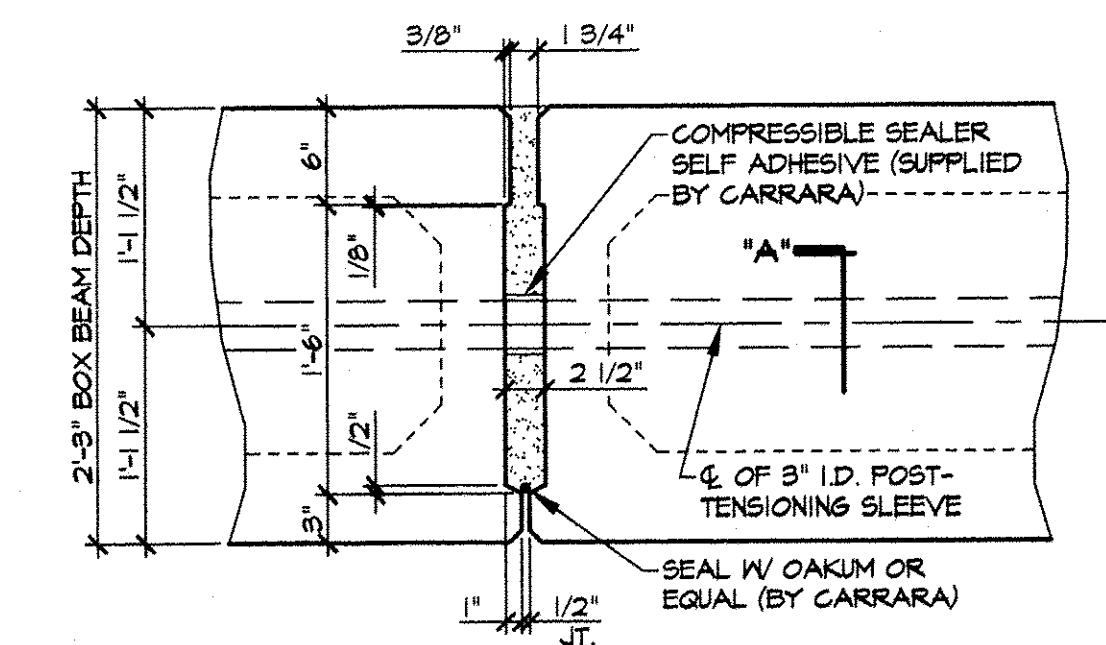


1 PRESTRESSED BOX BEAM LAYOUT (SPAN 3)
3/16" = 1'-0"

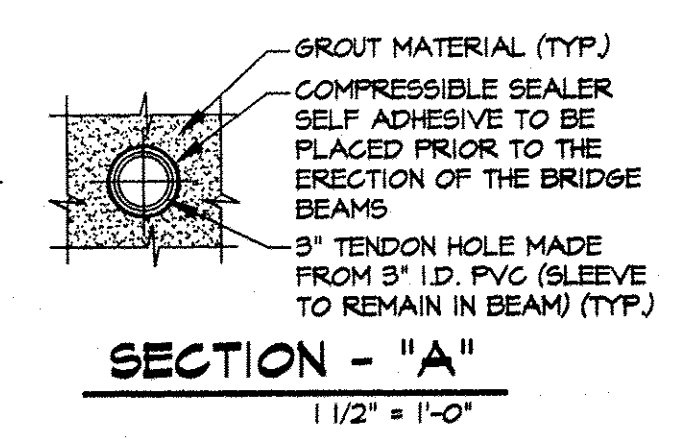
DESIGN LOAD: HS25



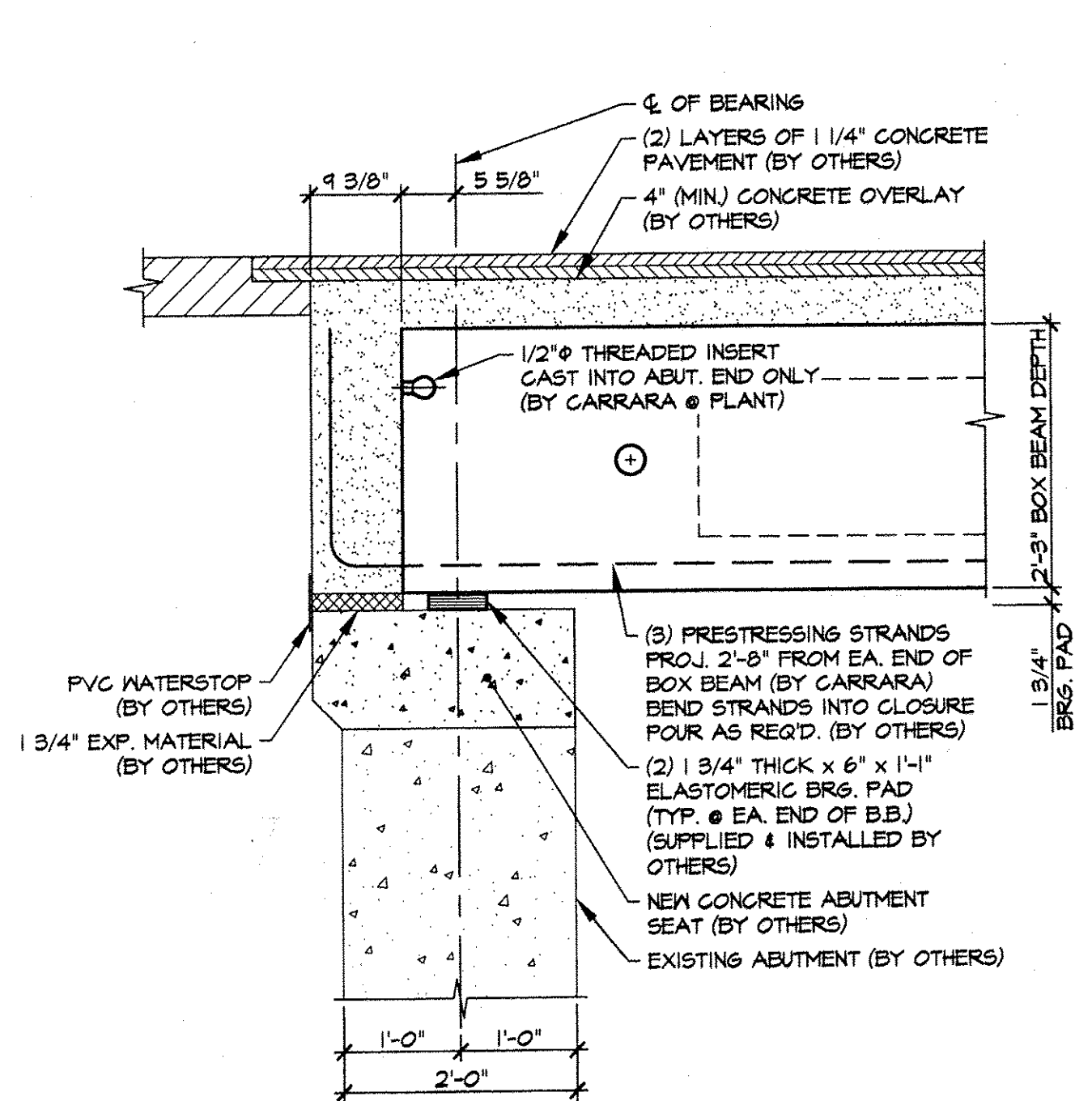
C TYP. SHEAR KEY SECTION
1" = 1'-0"



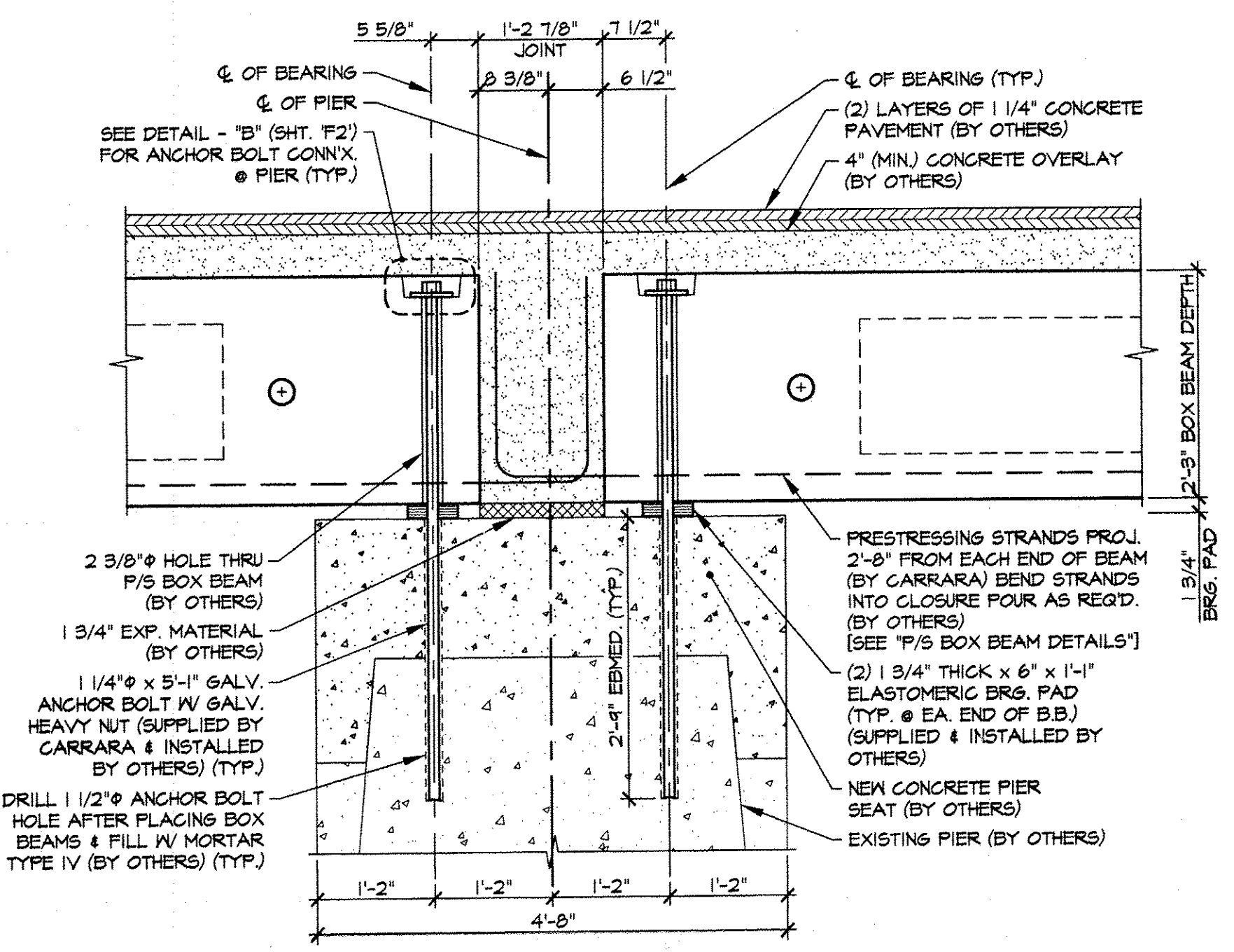
D SHEAR KEY SECTION @ P.T. SLEEVE
1" = 1'-0"



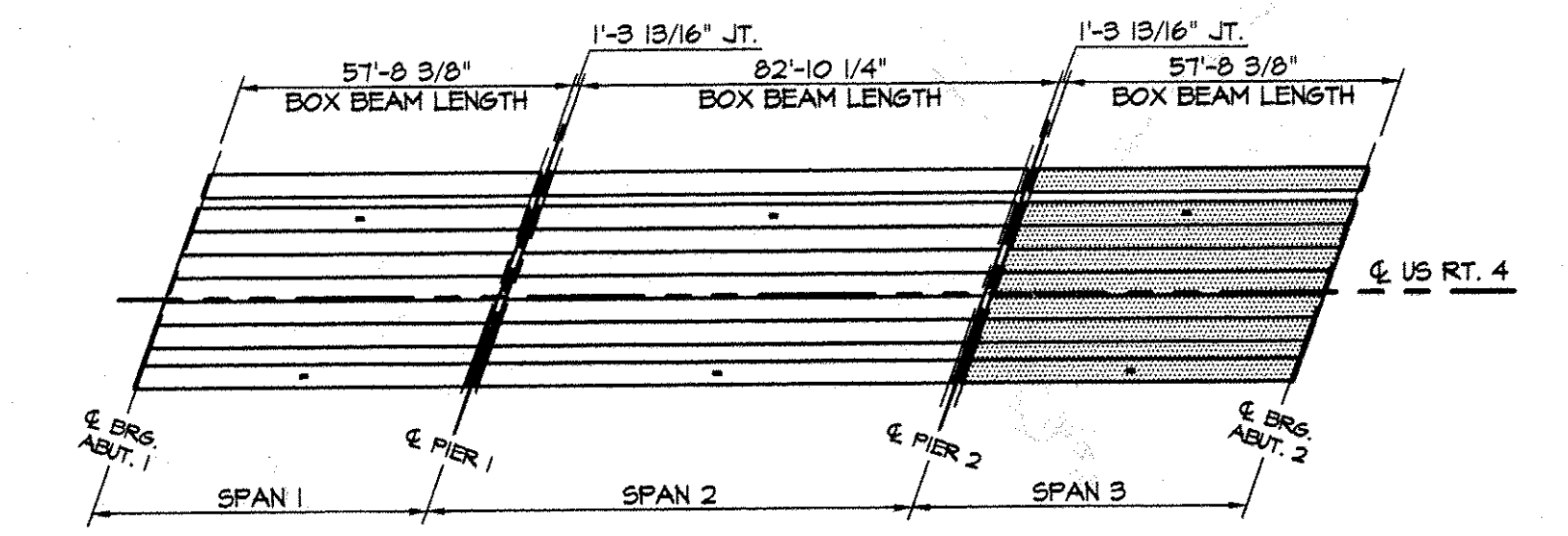
SECTION - "A"
1/2" = 1'-0"



A SECTION AT ABUTMENT BEARING (EXPANSION END)
3/4" = 1'-0"



B SECTION AT PIER BEARING (FIXED END)
3/4" = 1'-0"



KEY PLAN
N.T.S.

2-13-07 GENERAL REVISIONS

APPROVAL STAMP:	J.P. CARRARA & SONS INC. Precast & Prestress Manufacturer 2464 CREEK STR., WOODSTOCK, VERMONT 05753 Phone:(802)388-6361 Fax:(802)388-9010		T. BUCK CONSTRUCTION, INC. CONTRACTOR AUBURN, MAINE	
	STATE OF VERMONT A.O.T. COUNTY OF WINDSOR		DATE: JAN. 9, 2007	
	TOWN OF WOODSTOCK US ROUTE 4 OVER OTTAUQUECHEE RIVER BRIDGE NO. 50 PROJECT NO. BHF 020-2(32)		SCALE: NOTED	
	SUPERSTRUCTURE PLAN & SECTIONS (SPAN 3)		CHKD: D.F. DFTM: B.L. JOB NO: 23249-06 DWG. NO: F3	