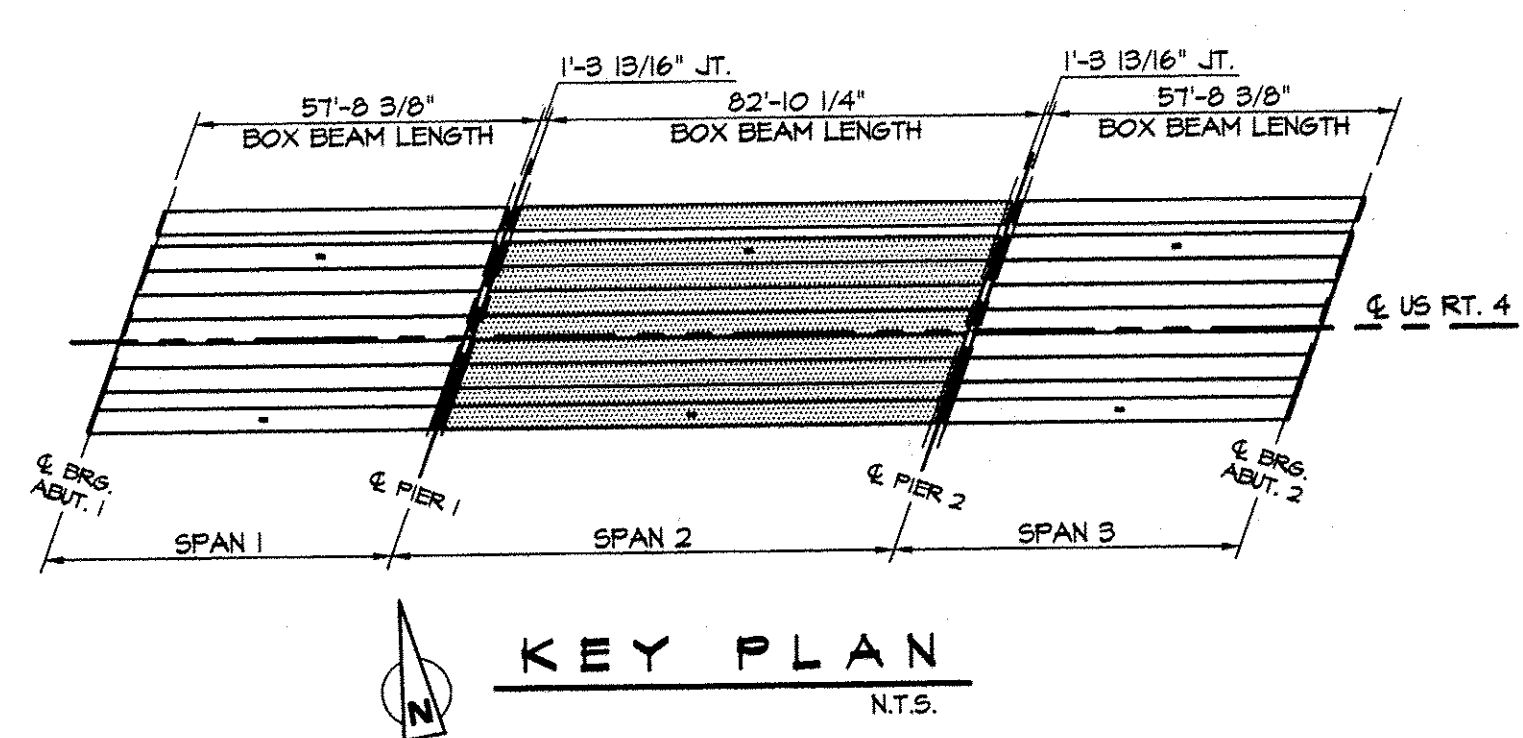
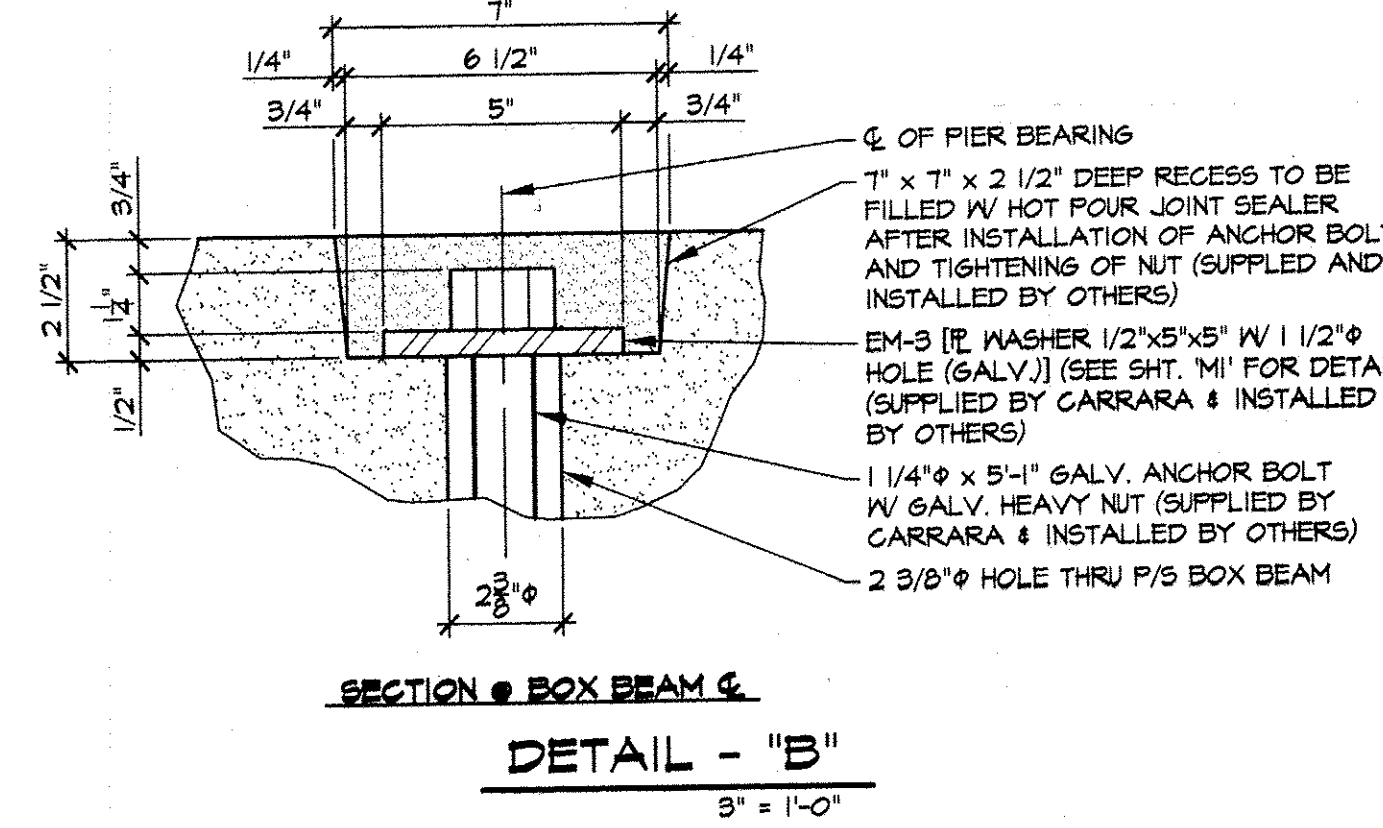
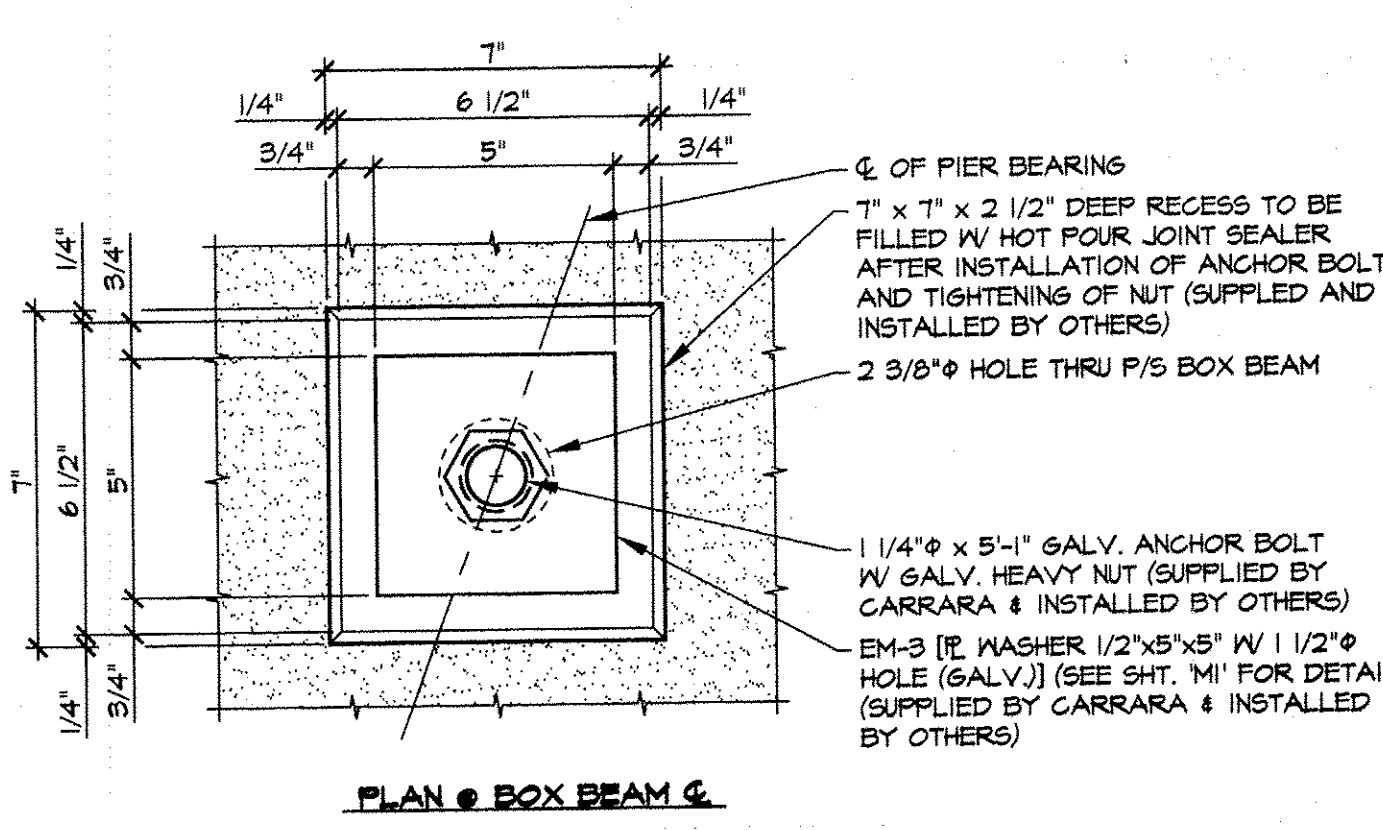
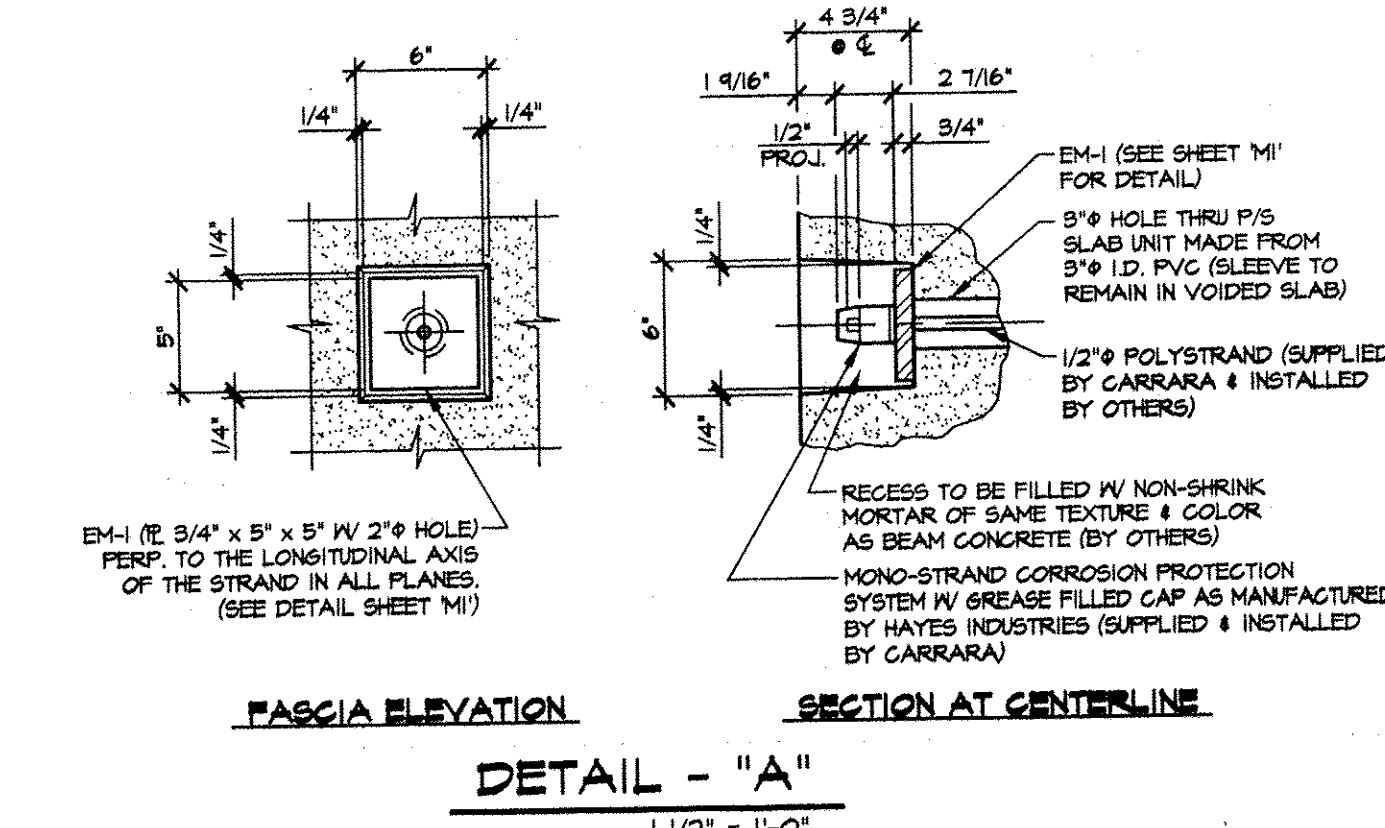
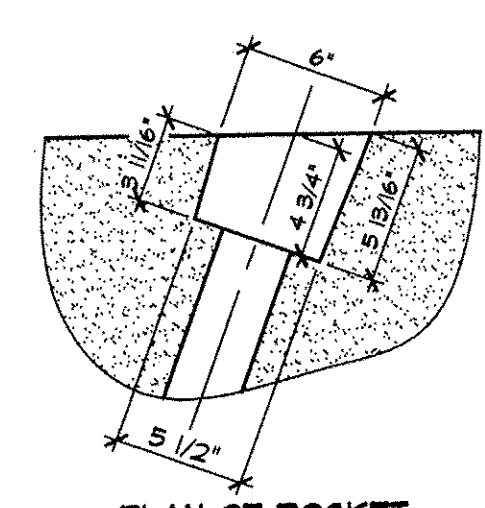


F2 PRESTRESSED BOX BEAM LAYOUT (SPAN 2)
3/16" = 1'-0"

DESIGN LOAD: HS25



- 4-11-01 REVISE BOX BEAM MARK NUMBER
- 3-4-01 REVISE BOX BEAM MARK NUMBER
- 2-13-01 GENERAL REVISIONS

APPROVAL STAMP:

J.P. CARRARA & SONS INC. Precast & Prestress Manufacturer <small>2464 DISE STR., MIDDLEBURY, VERMONT 05753 Phone:(802)388-6361 Fax:(802)388-8010</small>		T. BUCK CONSTRUCTION, INC. CONTRACTOR AUBURN, MAINE	
STATE OF VERMONT A.O.T. COUNTY OF WINDSOR		DATE: JAN. 9, 2007 SCALE: NOTED	
TOWN OF WOODSTOCK US ROUTE 4 OVER OTTAUQUECHEE RIVER BRIDGE NO. 50 PROJECT NO. BHP 020-2(B2)		CHKD: D.F. DFTM: B.L. JOB NO: 23244-06	
SUPERSTRUCTURE PLAN & DETAILS (SPAN 2)		DWG. NO: F2	