

DESIGN CONCEPT OF THE PROJECT AND GENERAL COMPLIANCE WITH THE INFORMATION IN THE CONTRACT DOCUMENTS. THE CONTRACTOR IS RESPONSIBLE FOR: CONFIRMING ALL QUANTITIES AND DIMENSIONS; SELECTING FABRICATION PROCEDURES; CORRELATING ALL QUANTITIES AND DIMENSIONS; SELECTING FABRICATION PROCEDURES; TECHNIQUES OF CONSTRUCTION; COORDINATING HIS WORK WITH THAT OF ALL OTHERS AND PERFORMING HIS WORK IN A SAFE AND SATISFACTORY MANNER.

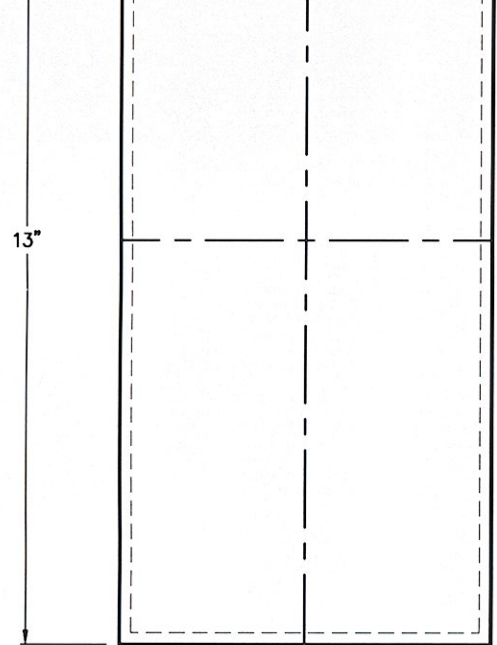
VHB

Vanasse Hangen Brustlin, Inc.
Engineers, Planners, and Scientists
Six Bedford Farms, Kilton Rd.
Bedford, NH 03110 603 644 0888

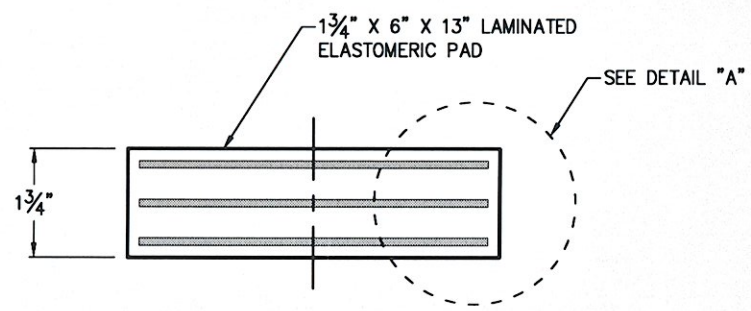
Job Number: 512

Reviewed By: L.S.

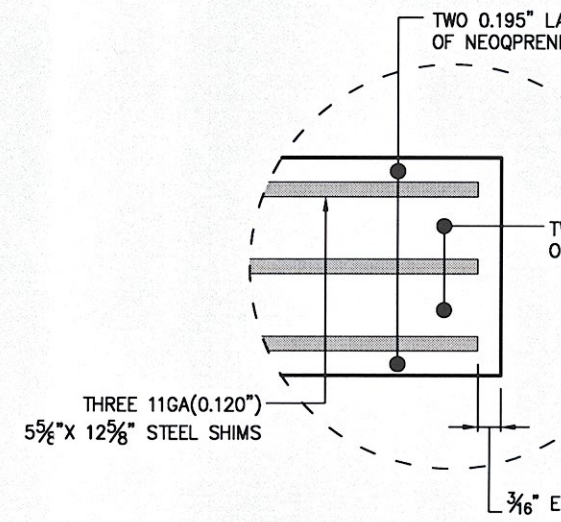
Date: 2/26/07



PLAN VIEW



ELEVATION
MK. 01
(108) REQ'D
ITEM# 531.10



DETAIL "B"

PLEASE PROVIDE DESIGN LOADS

PER CONTRACT SHEET 30

DEAD LOAD	LIVE LOAD	TOTAL DESIGN LOAD	SHAPE FACTOR
? 54 ^k	? 29 ^k	? 83 ^k	4.11

(w/IMPACT)

SCALE: NTS

A	ORIG
REV	