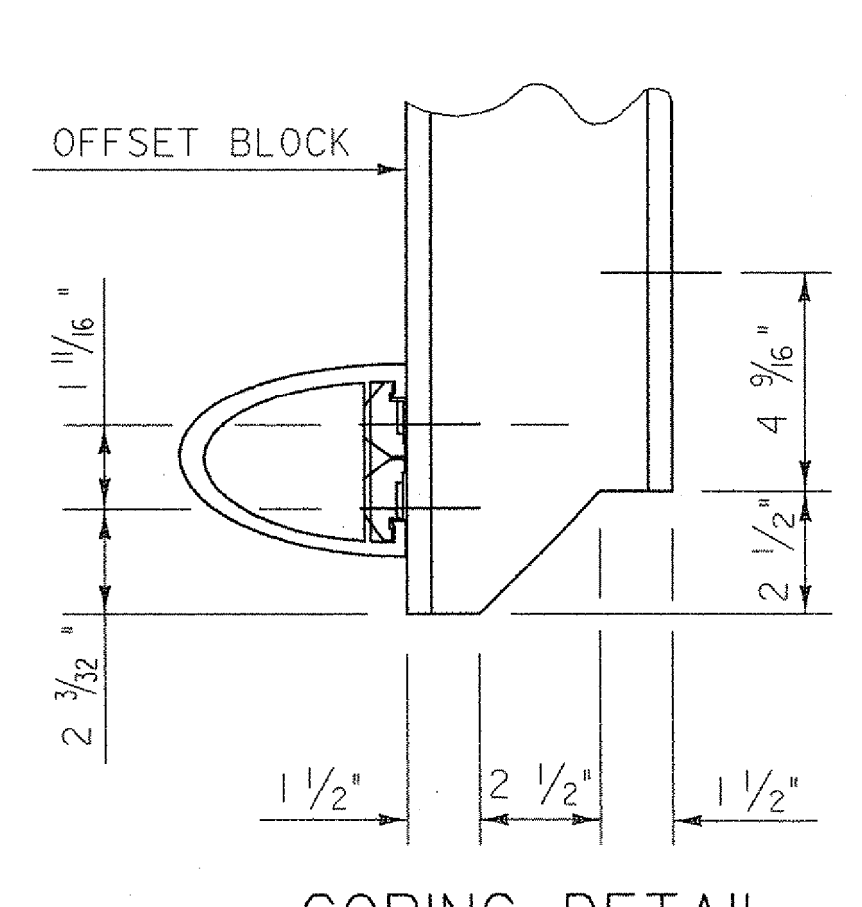
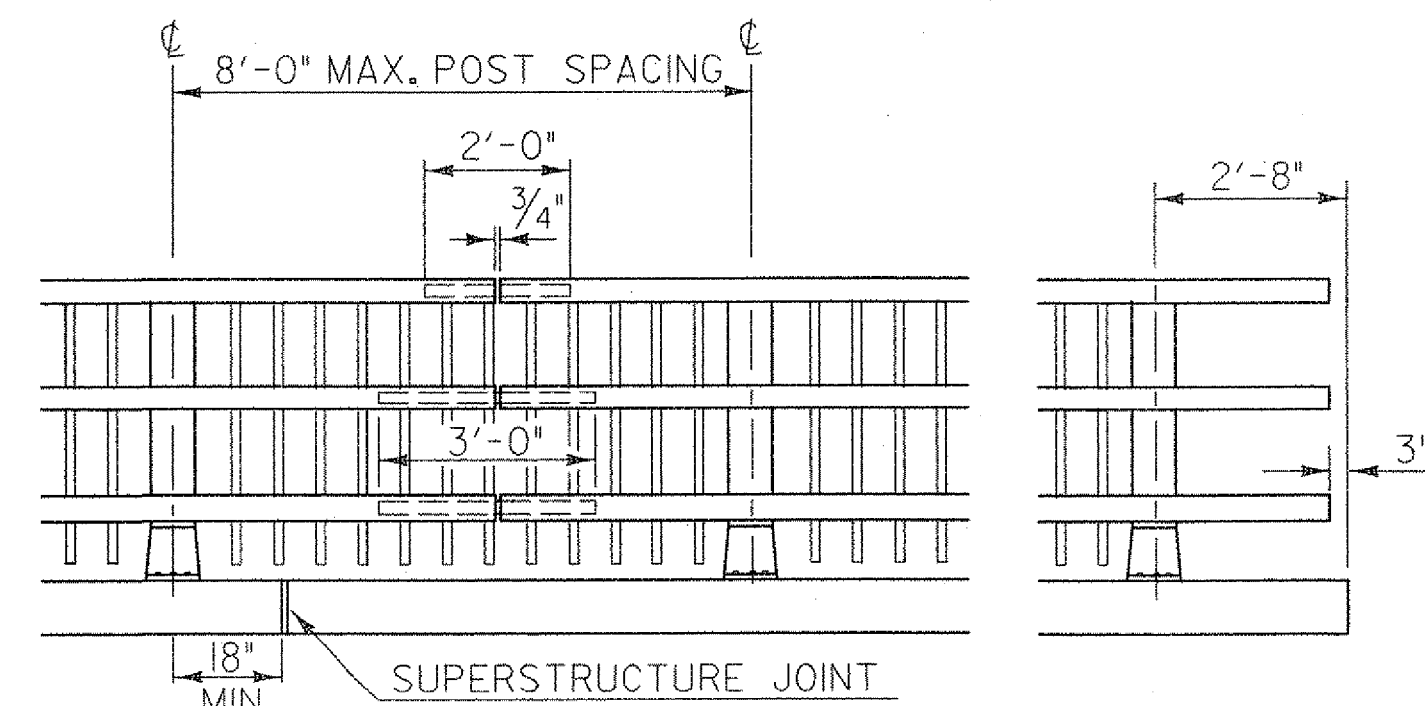


POST SIDE VIEW

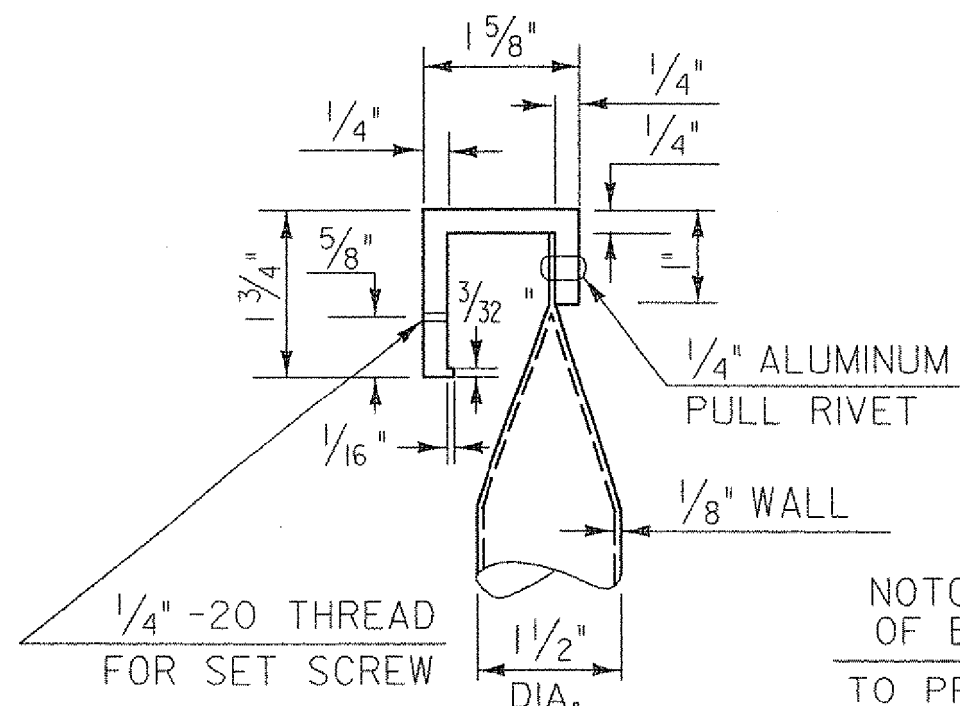


COPING DETAIL

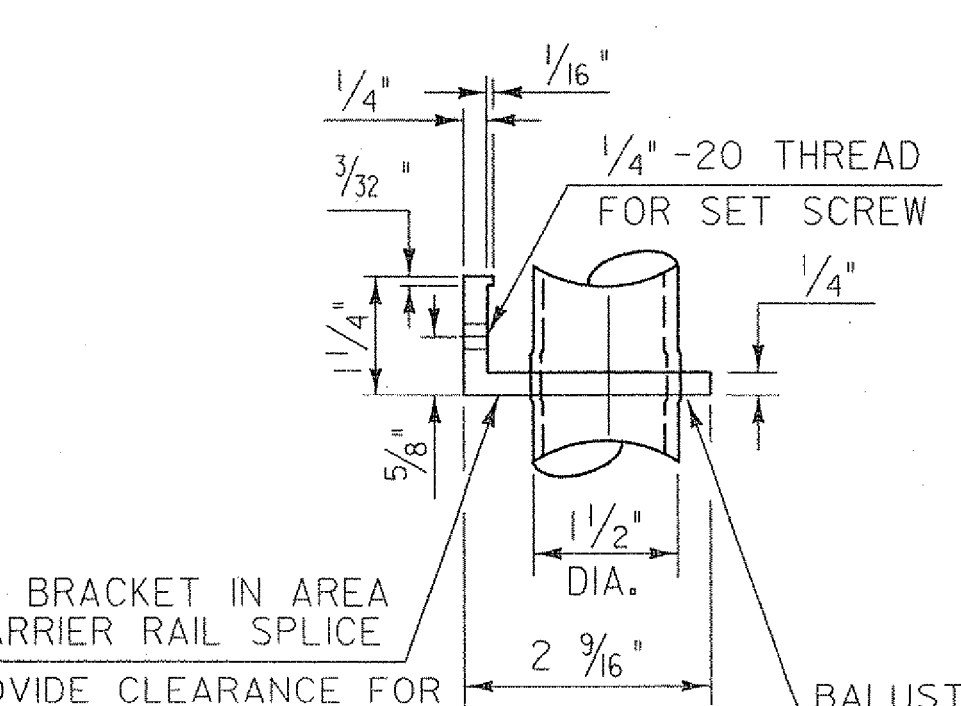


FRONT ELEVATION OF THREE RAIL WITH SPINDLES

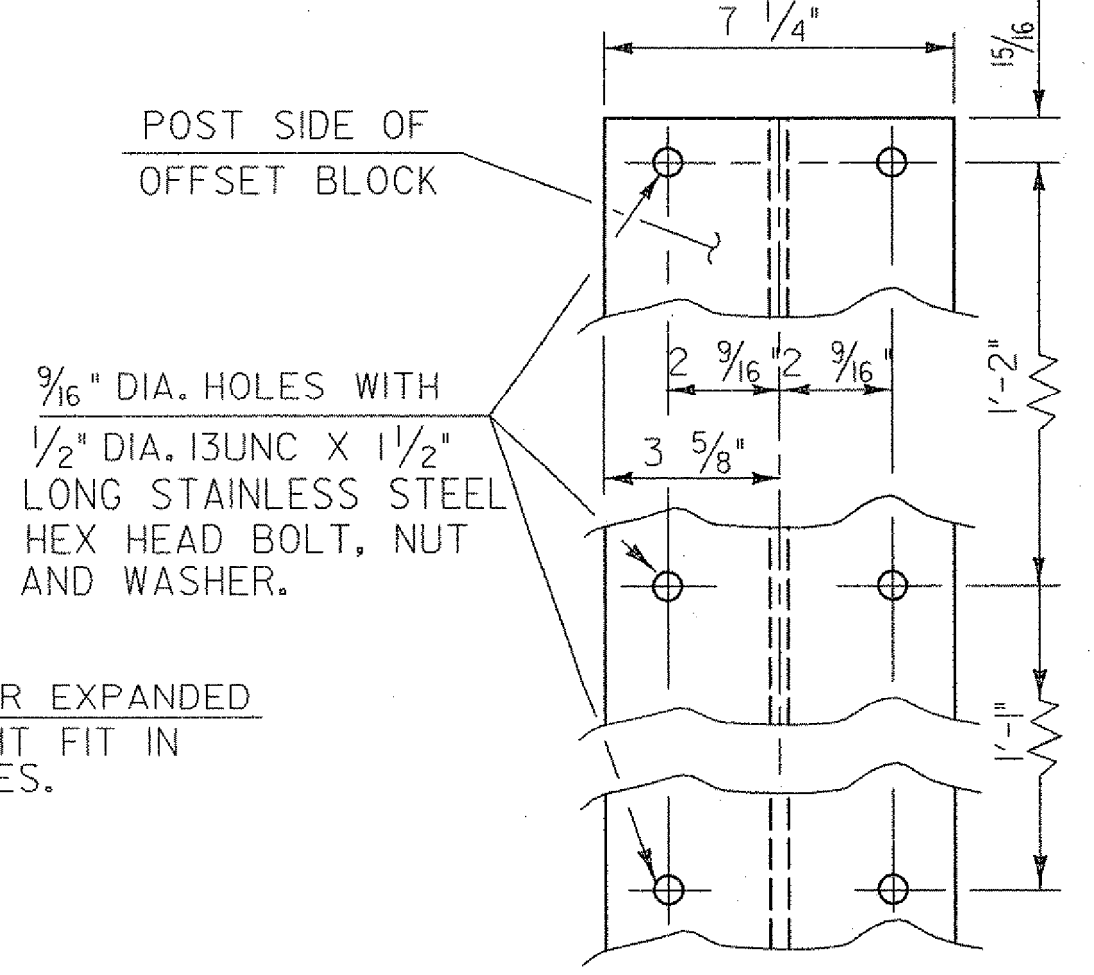
NOTE: RAIL POSTS ARE TO BE SET NORMAL TO GRADE UNLESS OTHERWISE DESIGNATED ON BRIDGE PLANS. ALL DIMENSIONS ARE TYPICAL UNLESS OTHERWISE DESIGNATED ON BRIDGE PLANS.



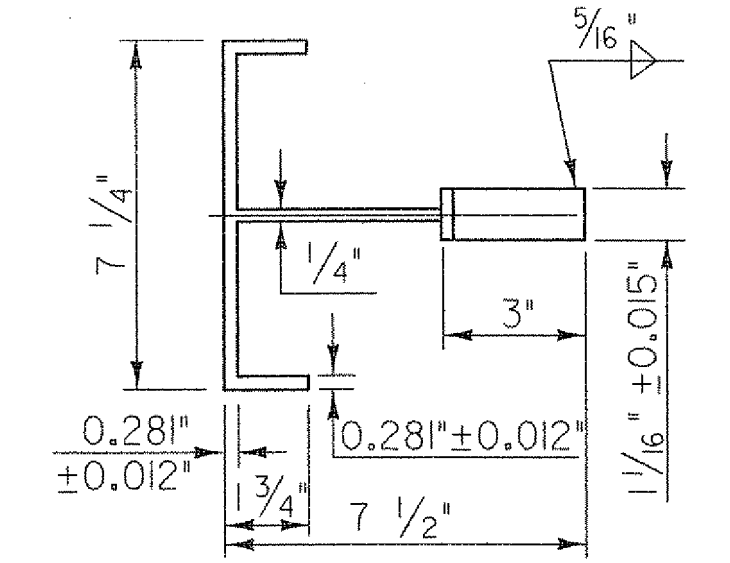
DETAIL A



DETAIL B



OFFSET BLOCK CONNECTION



POST PLAN VIEW

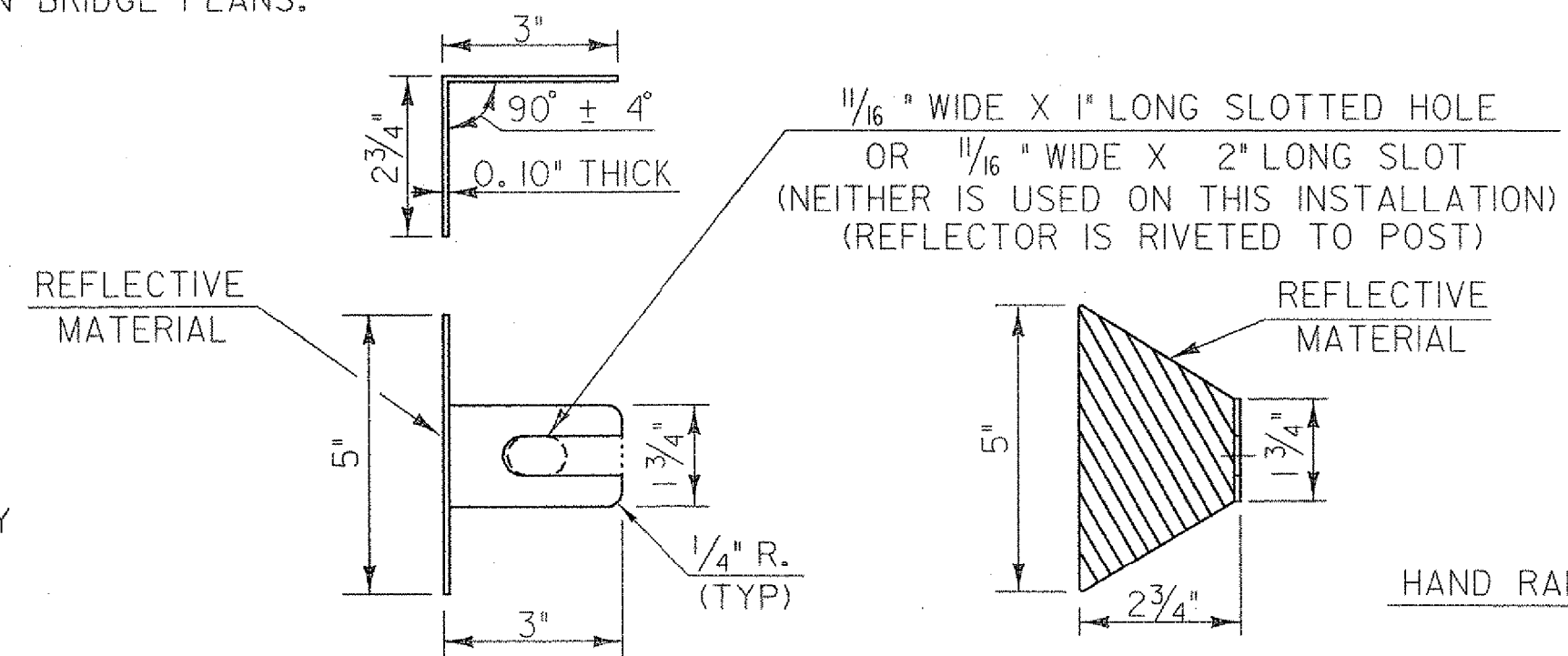
THIS REFLECTORIZED ALUMINUM DELINEATOR IS TO BE ERECTED EVERY 30 FEET (OR CLOSEST POST) WITH 2 NO. 8 X 3/4\"/>

DELINEATORS SHALL MEET SPECIFICATION REQUIREMENTS FOR ASTM B209 ALLOY 5052-H32.

REFLECTIVE MATERIAL SHALL MEET THE REQUIREMENTS OF SUBSECTION 750.08 AND SHALL BE OF ENCAPSULATED LENS SILVER OR AMBER. AMBER IS TO BE INSTALLED ON THE DRIVER'S LEFT AND SILVER ON THEIR RIGHT.

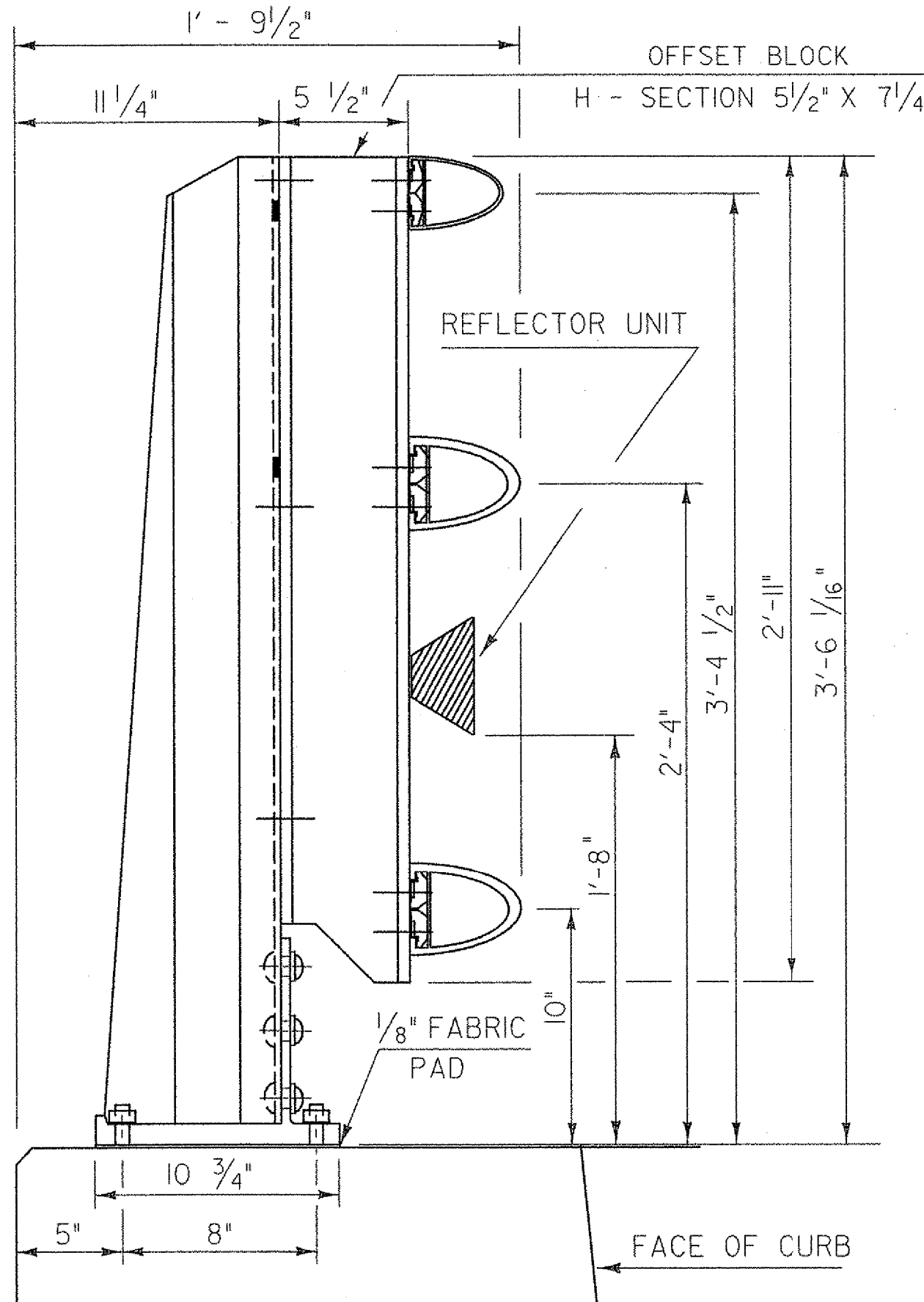
ON BRIDGES WITH A SIDEWALK, DELINEATORS ARE NOT TO BE INSTALLED ON THE SIDEWALK SIDE OF THE BRIDGE (I.E. DELINEATORS INSTALLED ONLY ON THE CURB SIDE AND ON THE APPROACH RAIL ON THE CURB SIDE)

PAYMENT SHALL BE SUBSIDIARY TO ALL OTHER ITEMS.

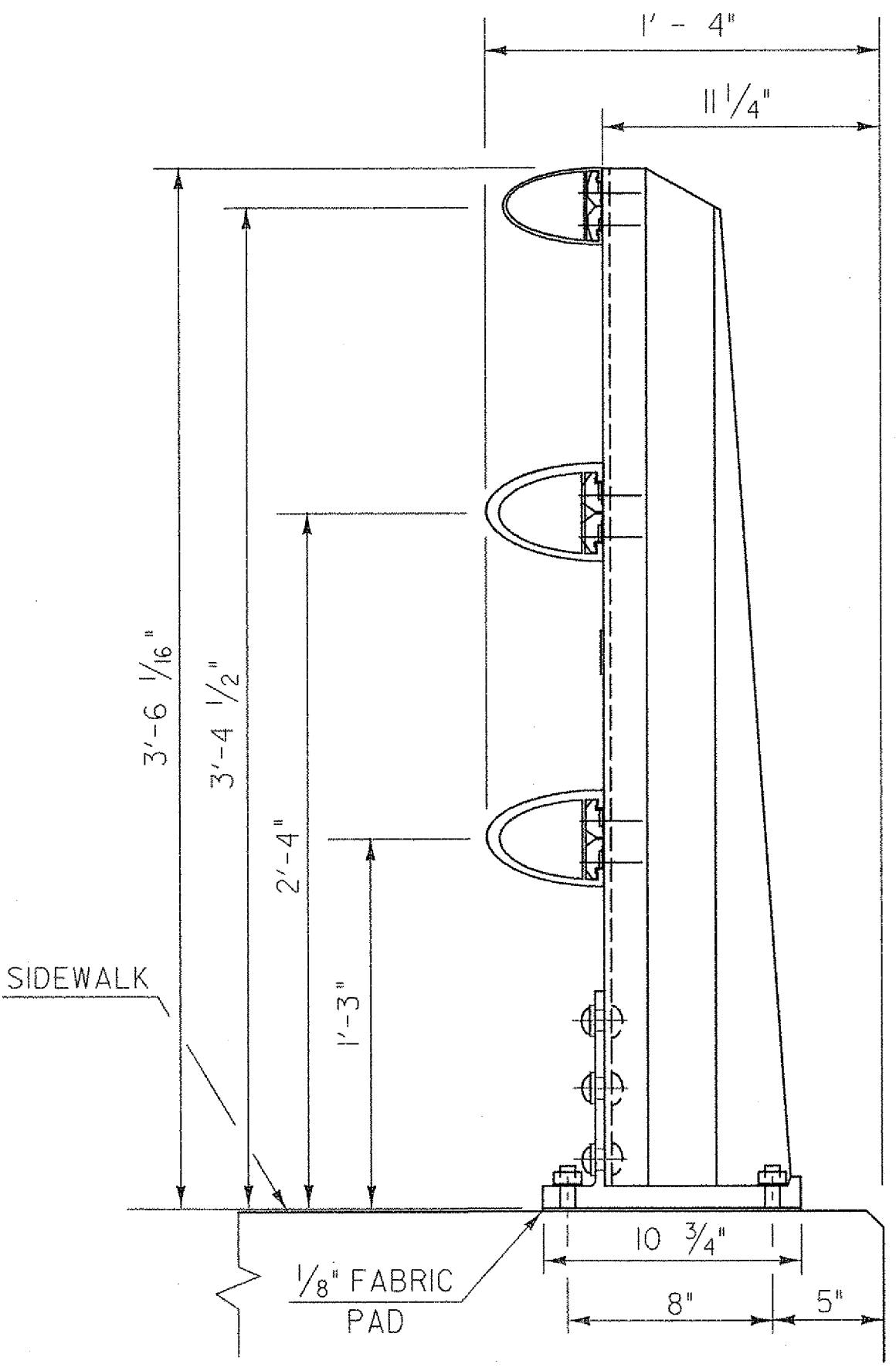


REFLECTOR DETAILS

ALLOWABLE STRESSES:  
RAILING : 21,000 PSI TENSION  
22,000 PSI COMPRESSION  
POSTS : 17,000 PSI TENSION  
19,000 PSI COMPRESSION

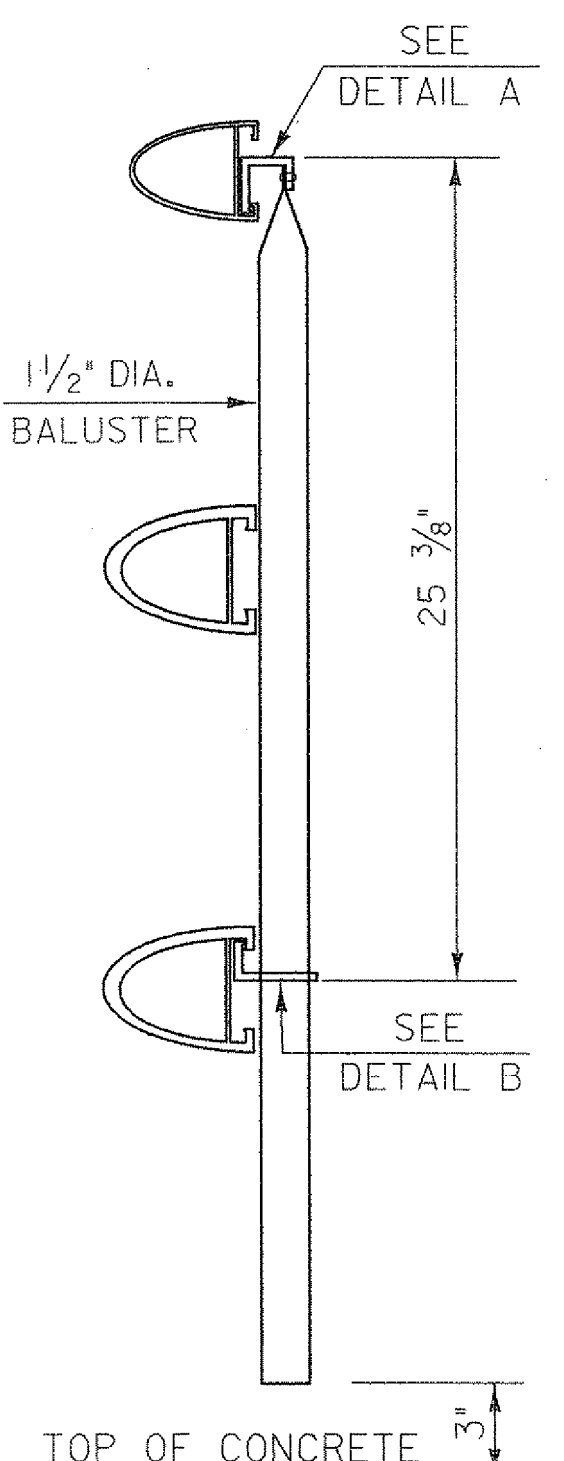


SIDE ELEVATION OF THREE RAIL TO BE USED ON CURB SIDE



SIDE ELEVATION OF THREE RAIL TO BE USED ON SIDEWALK SIDE

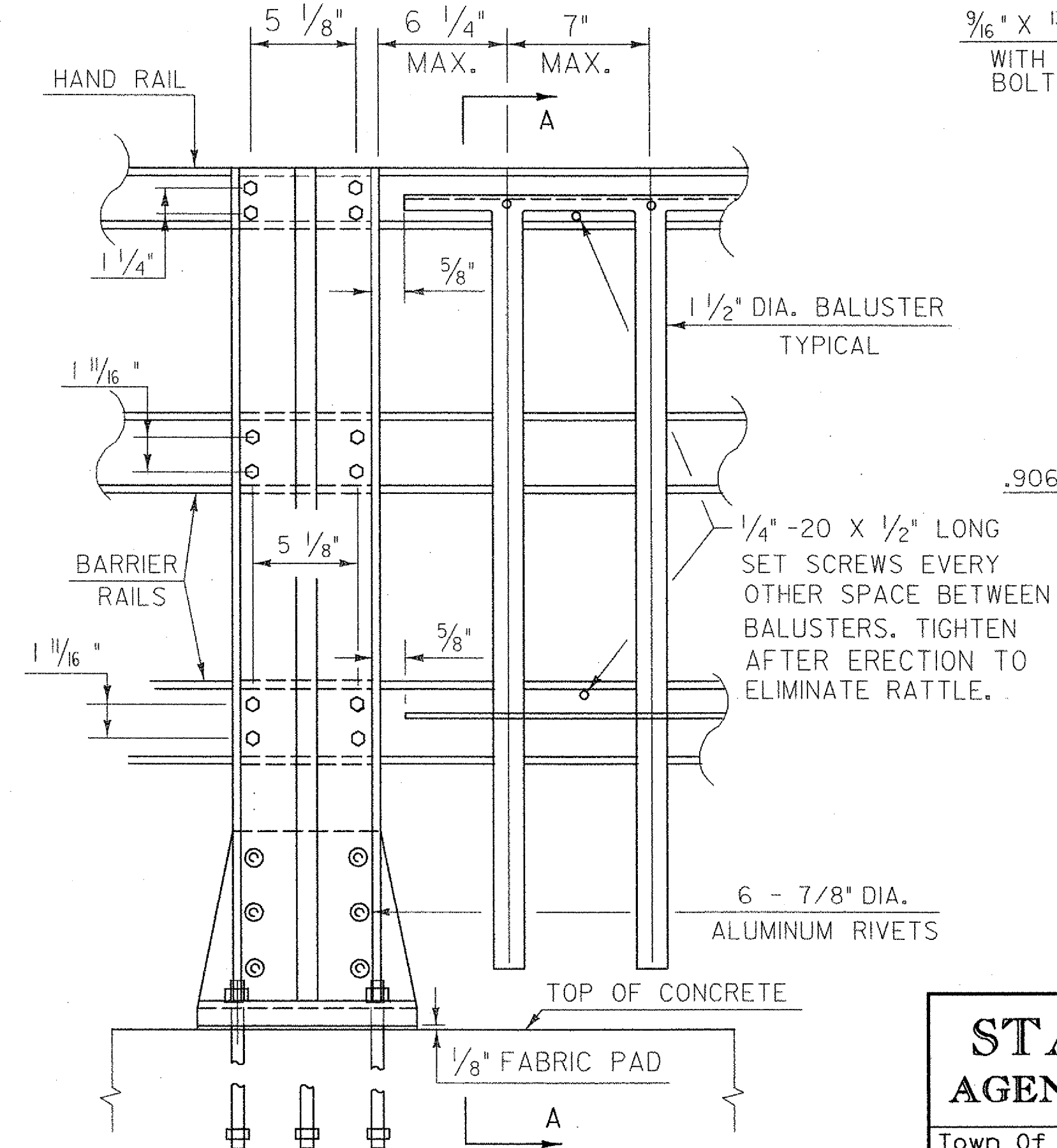
RAIL POST DETAILS ON SUPERSTRUCTURE



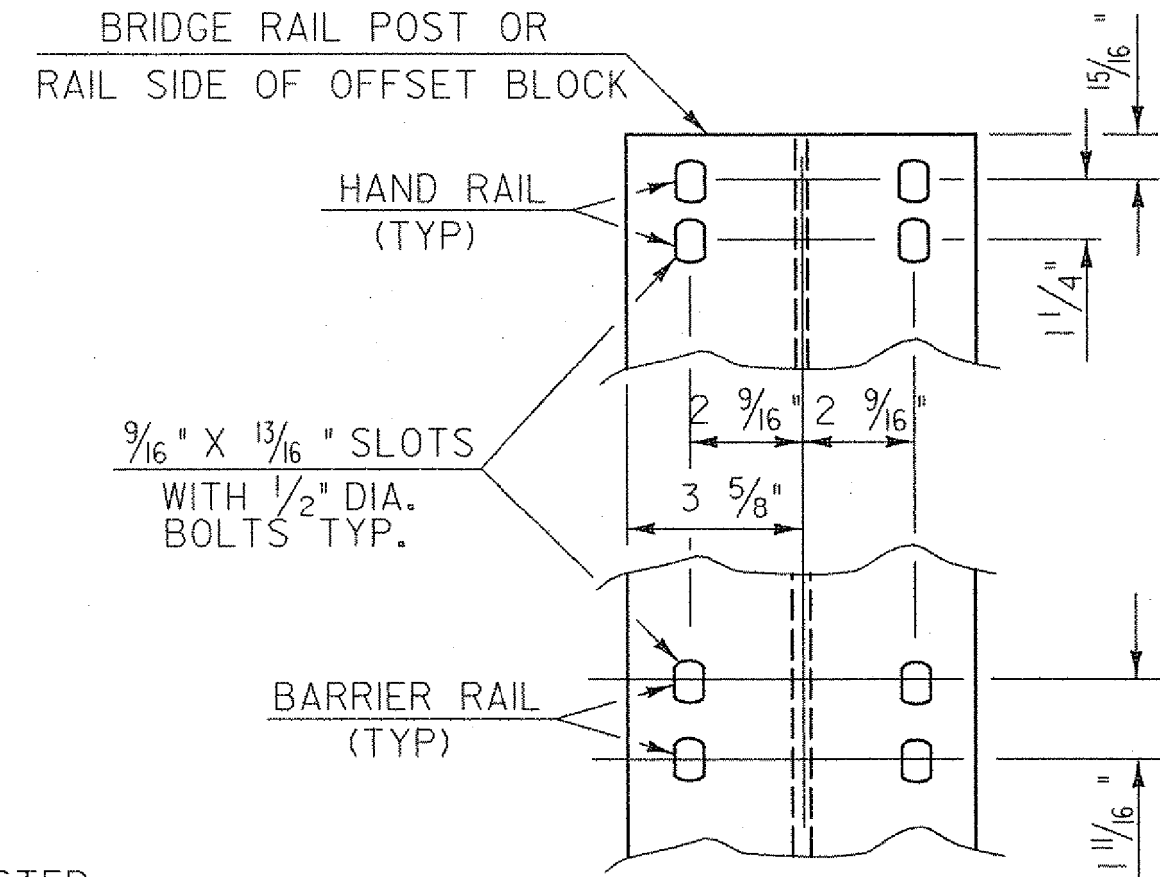
SECTION AA

DETAILS OF SPINDLES FOR ALUMINUM RAILING

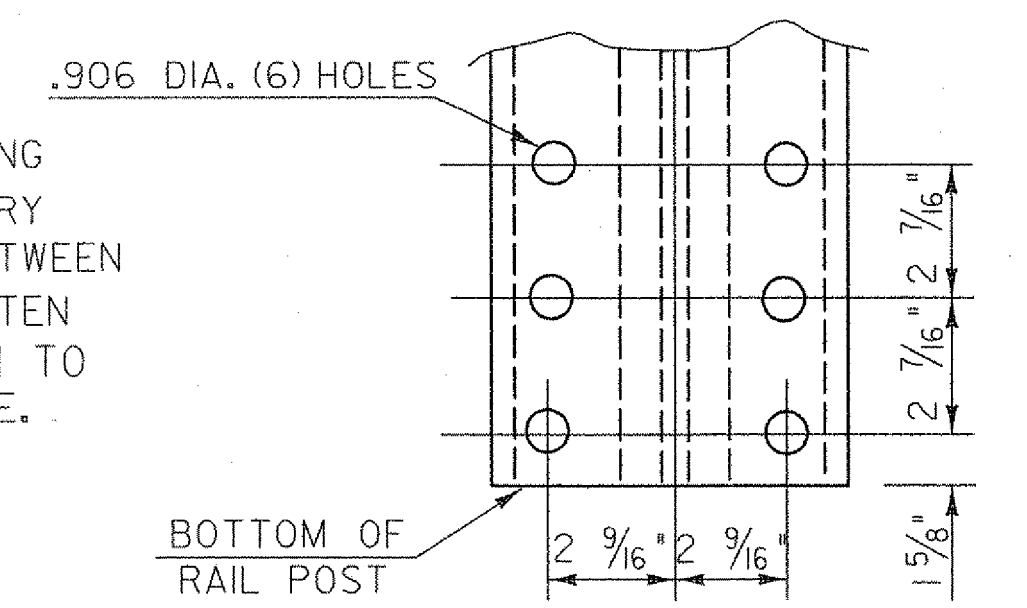
NOTE: SPINDLES ON SIDEWALK SIDE ONLY



OUTSIDE ELEVATION OF THREE RAIL POST & SPINDLES



RAIL CONNECTION



POST BASE BOLT HOLE DETAILS

STATE OF VERMONT AGENCY OF TRANSPORTATION

Town Of	WOODSTOCK	Bridge No.	50
Highway No.	U. S. ROUTE 4	Log Sta.	
		Surv. Sta.	
U. S. ROUTE 4 OVER OTTAUQUECHEE RIVER			
<b>BRIDGE RAILING DETAILS (1 OF 2)</b>			
Designed By	VTRANS	Drawn By	VTRANS
Checked By	T. S. BRYANT	Date	9/06
		Bridge Design Supervisor	M. A. COLGAN Date 9/06
PROJECT	WOODSTOCK	PROJECT NO.	BHF 020-2 (32)
I.G.C. Info.			
Bridge Sheet No.	ZJ028RL	Sheet	48 of 71