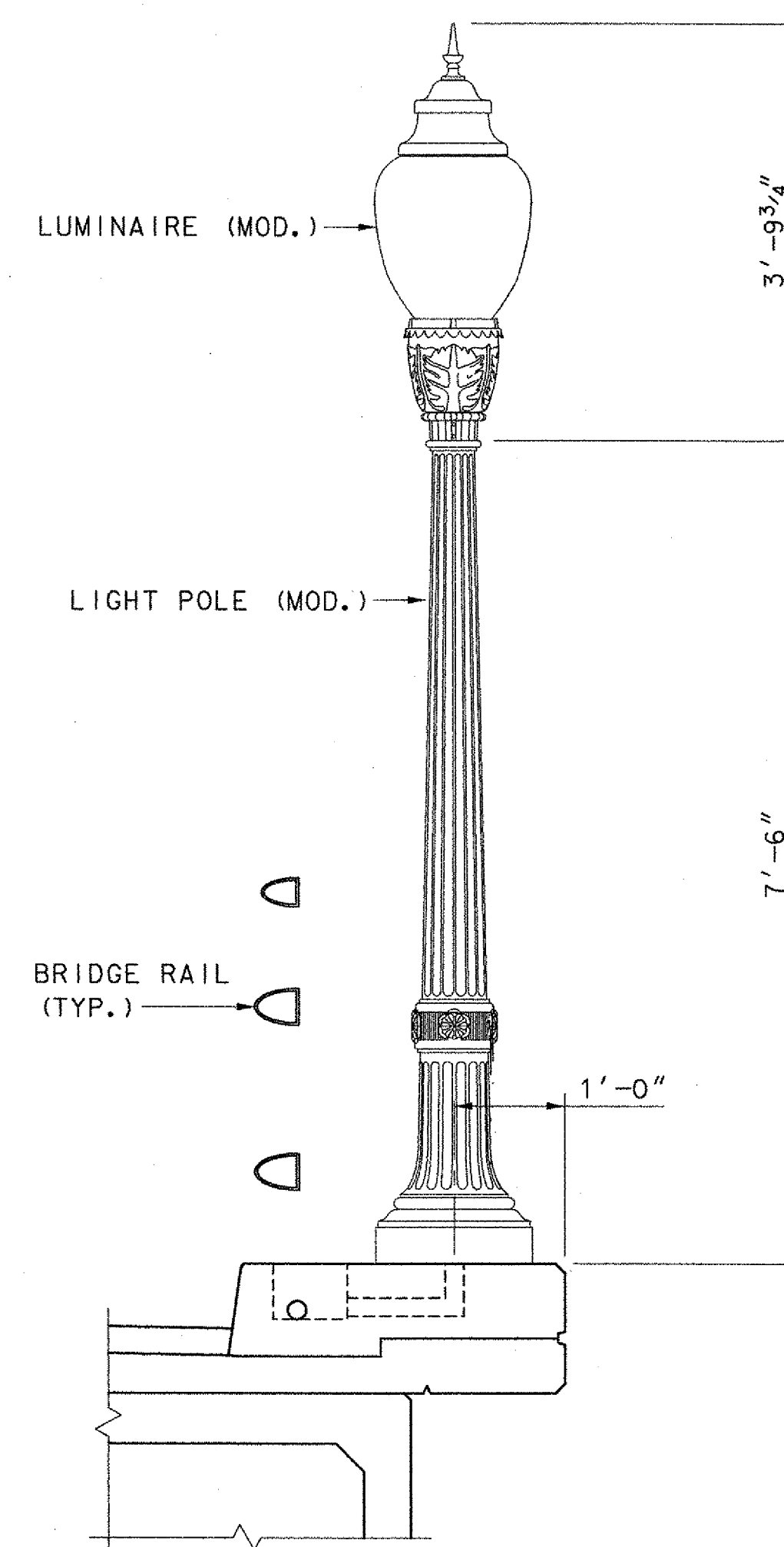


**WEST APPROACH  
BRIDGE LIGHTING CONDUIT PLAN**  
SCALE: 1" = 10'



**TYPICAL TRANSVERSE SECTION  
AT BRIDGE LIGHT**  
(CURB SIDE SHOWN, SIDEWALK SIDE SIMILAR)  
NOT TO SCALE

**BRIDGE LIGHTING NOTES:**

1. THE CONTRACTOR SHALL PROVIDE A DESIGN FOR THE ELECTRICAL SYSTEM FOR THE BRIDGE LIGHTING IN CONFORMANCE WITH ALL LOCAL AND STATE CODES AND VTRANS STANDARDS E-173, E-175, E-180A, E-180B, AND E-181 AS APPLICABLE. THE DESIGN SHALL INCLUDE ANY ADDITIONAL DETAILS NECESSARY FOR THE CONSTRUCTION OF THE POWER SUPPLY INCLUDING BUT NOT LIMITED TO CONDUITS, SLEEVES, WIRE, GROUNDING, PULL BOXES AND JUNCTION BOXES.
2. ELECTRICAL SERVICE FOR THE NEW BRIDGE LIGHTING SYSTEM SHALL BE PROVIDED FROM THE EXISTING SERVICE RISER AND METER AT UTILITY POLE NUMBER 27 NORTHWEST OF THE BRIDGE. THE CONTRACTOR SHALL COORDINATE CONNECTION OF THE NEW LIGHTING SYSTEM TO THE EXISTING ELECTRICAL SERVICE WITH CENTRAL VERMONT PUBLIC SERVICE. CONTRACTOR SHALL ENSURE POWER SERVICE DOES NOT CONFLICT WITH ANY EXISTING OR PROPOSED UTILITIES OR DRAINAGE.
3. SEE SPECIAL PROVISIONS FOR ADDITIONAL LIGHTING SYSTEM REQUIREMENTS.
4. ALL CONDUIT SHALL BE A MINIMUM OF SCHEDULE 40 P.V.C. OR GALVANIZED RIGID STEEL ELECTRICAL CONDUIT.
5. ALL CONDUIT UNDER THE ROADWAY SHALL BE INSTALLED IN RIGID PLASTIC SLEEVES.
6. THE ACCEPTED QUANTITIES OF BRIDGE LIGHTING SHALL BE PAID FOR AS 678.23 WIRED CONDUIT (2") (PVC), 678.25 PULL BOX - STANDARD, 678.26 JUNCTION BOX, 678.30 ELECTRICAL CONDUIT SLEEVE (6") (PVC), 679.45 LIGHT POLE (MOD.), AND 679.50 LUMINAIRE (MOD.).

**NOTES:**

1. SEE SHEET 26 FOR LIGHTING AND CONDUIT LAYOUT ON BRIDGE.

<b>STATE OF VERMONT AGENCY OF TRANSPORTATION</b>			
Town Of	WOODSTOCK	Bridge No.	50
Highway No.	U. S. ROUTE 4	Log Sta.	
		Surv. Sta.	
U. S. ROUTE 4 OVER OTTAUQUECHEE RIVER			
<b>BRIDGE LIGHTING DETAILS</b>			
Designed By	T. S. BRYANT	Drawn By	B. J. MASSE
Checked By	M. A. COLGAN	Bridge Design Supervisor	M. A. COLGAN
Date	10/06	Date	10/06
PROJECT	WOODSTOCK	PROJECT NO.	BHF 020-2 (32)
I.G.C. Info.			
Bridge Sheet No.	ZJ028LT1	Sheet	45 of 71