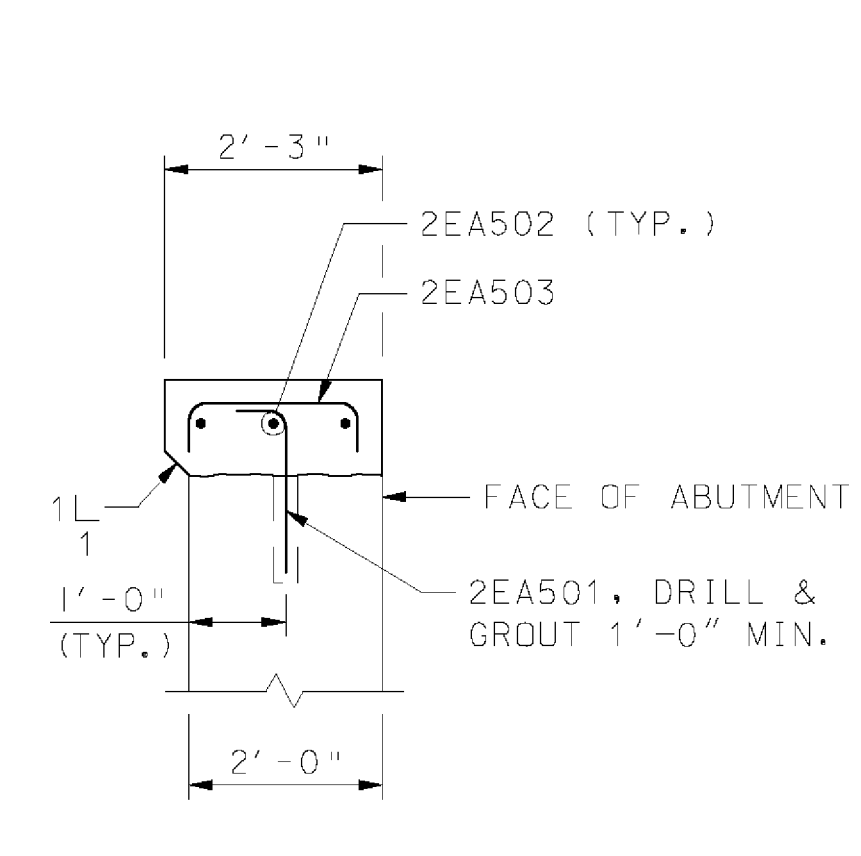
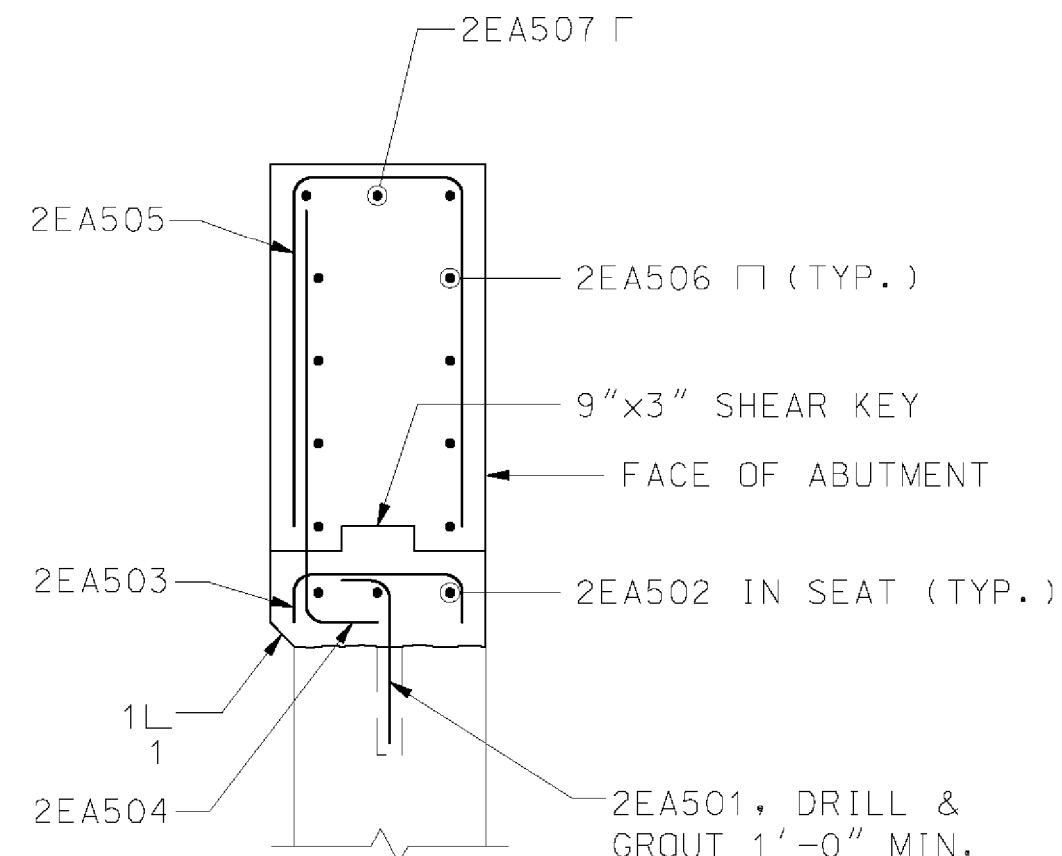


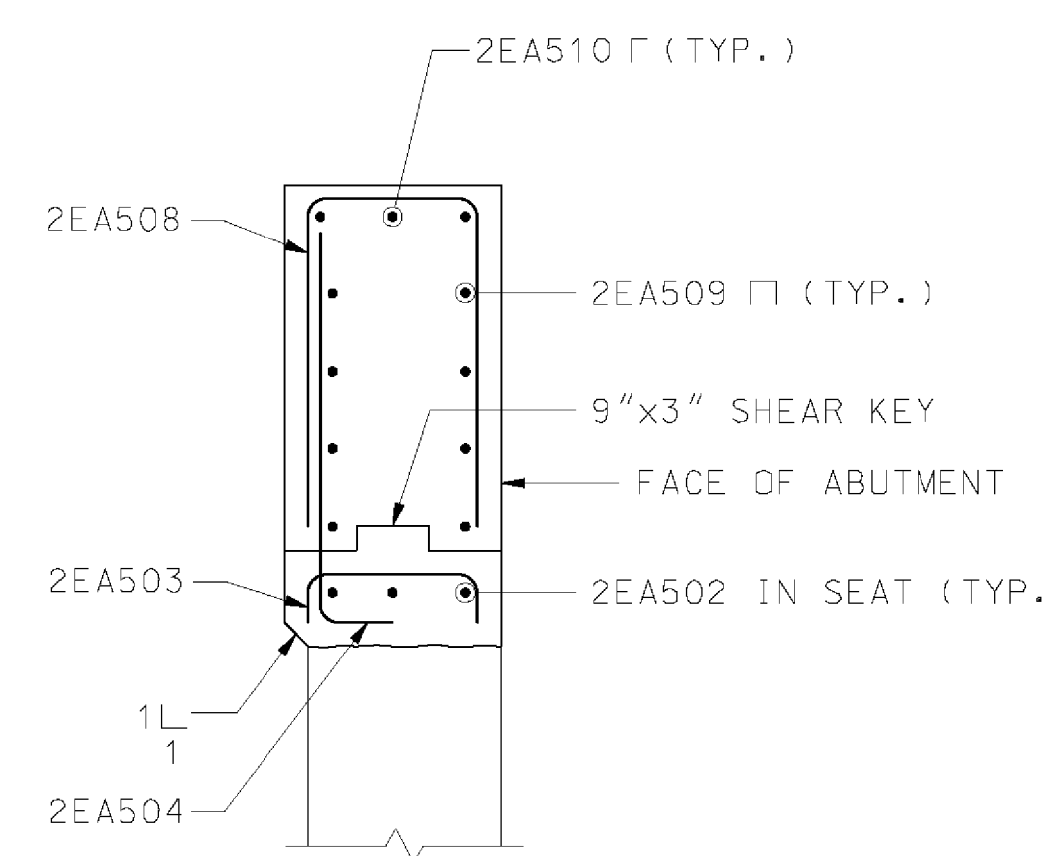
**PLAN**  
SCALE: 1/2" = 1'-0"



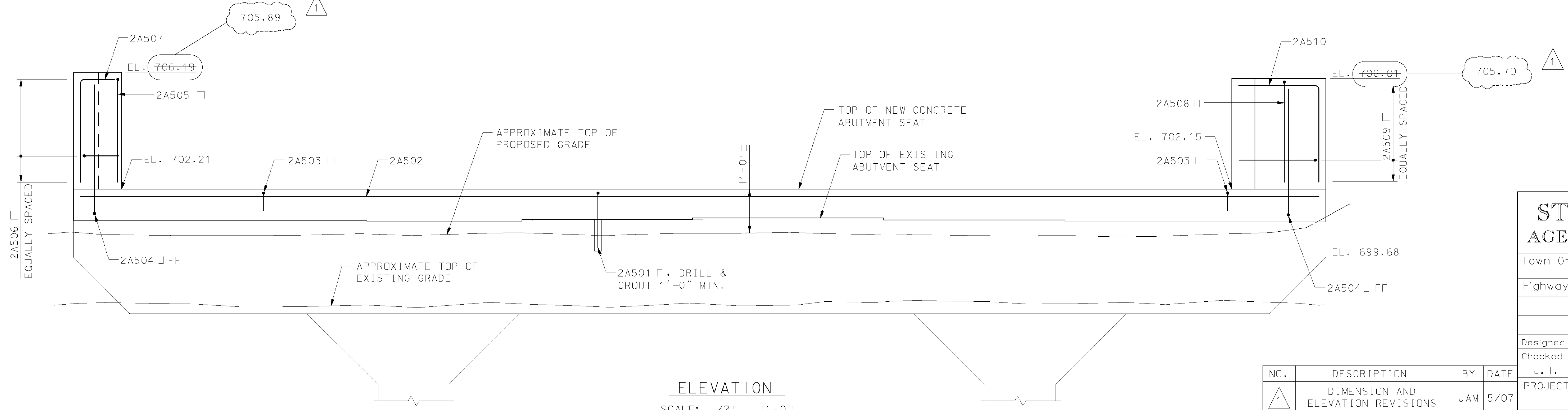
**SECTION A-A**  
SCALE: 1/2" = 1'-0"



**SECTION B-B**  
SCALE: 1/2" = 1'-0"



**SECTION C-C**  
SCALE: 1/2" = 1'-0"



**ELEVATION**  
SCALE: 1/2" = 1'-0"

**STATE OF VERMONT  
AGENCY OF TRANSPORTATION**

Town Of	WOODSTOCK	Bridge No.	50
Highway No.	U.S. ROUTE 4	Log Sta.	
		Surv. Sta.	
U.S. ROUTE 4 OVER OTTAUQUECHEE RIVER			

**ABUTMENT 2**

Designed By	T.S. BRYANT	Drawn By	B.J. MASSE
Checked By	J.T. KLEIN	Date	10/06
		Bridge Design Supervisor	M.A. COLGAN
PROJECT	WOODSTOCK	PROJECT NO.	BHF 020-2 (32)
I.G.C. Info.	ZJ028		

NO.	DESCRIPTION	BY	DATE
1	DIMENSION AND ELEVATION REVISIONS	JAM	5/07

**VHB Vanasse Hangen Brustlin, Inc.**

Bridge Sheet No.	ZJ028MA2_R	Sheet	39R of 71
------------------	------------	-------	-----------