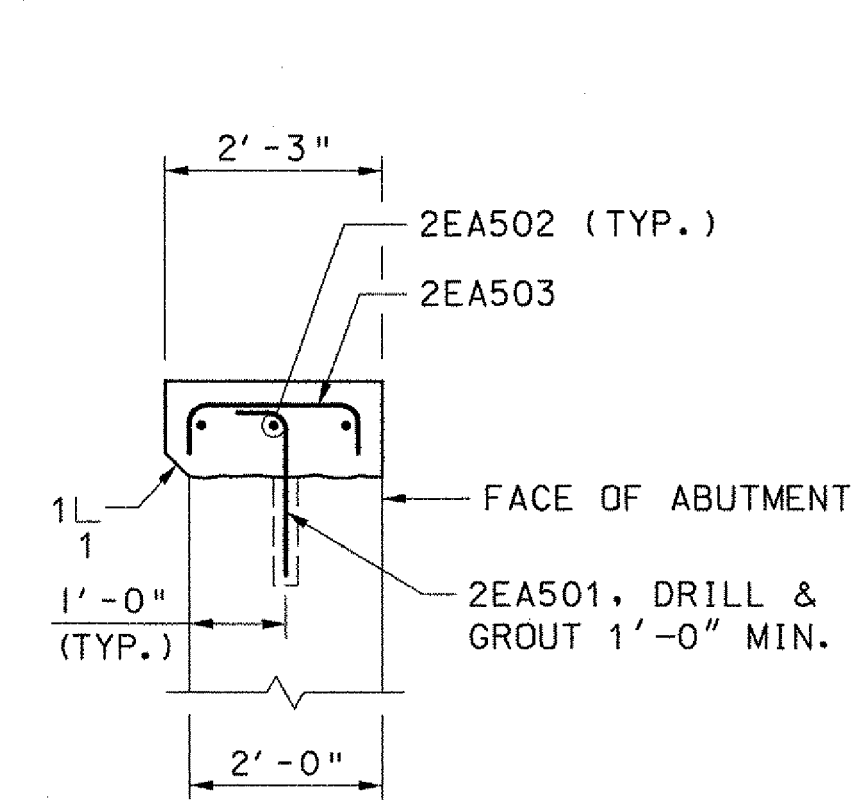
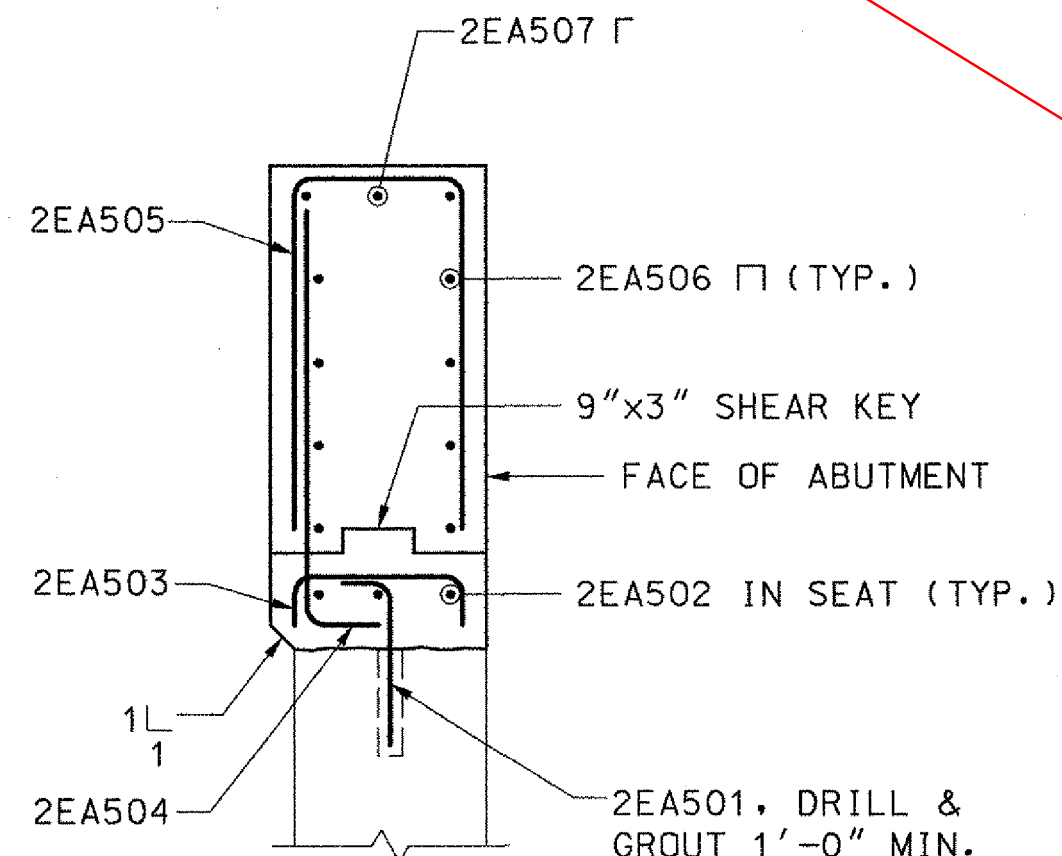


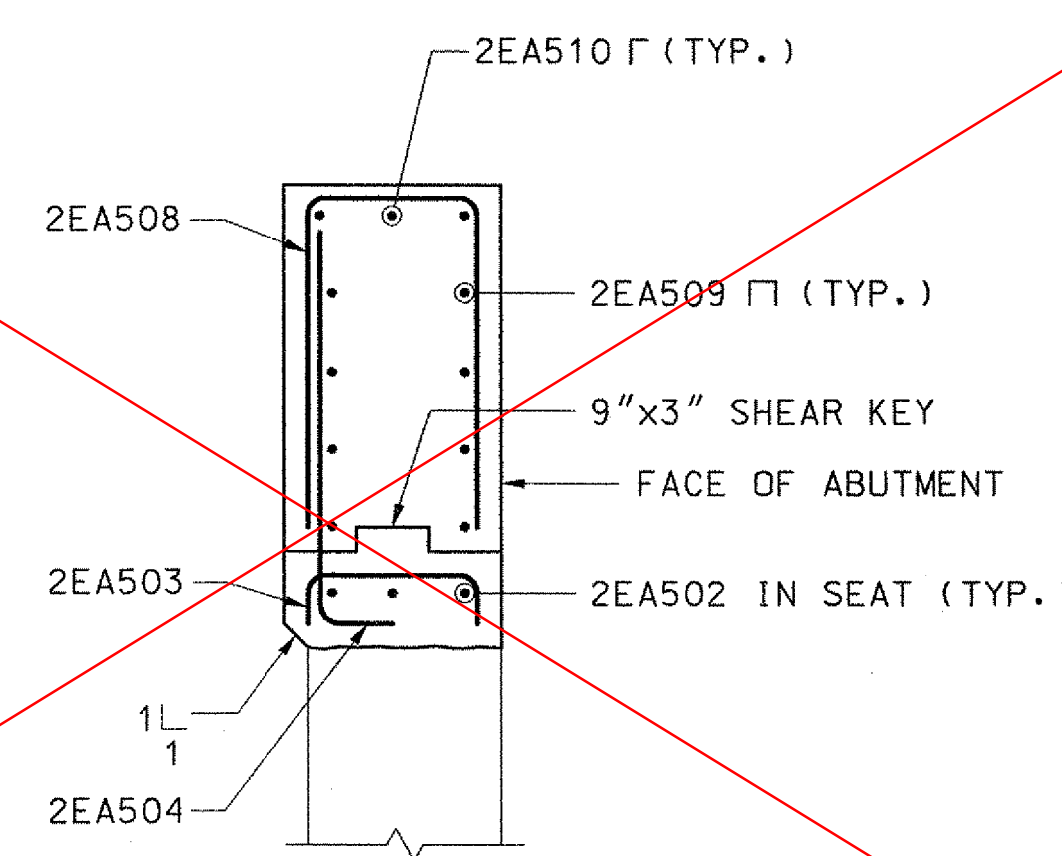
**PLAN**  
SCALE: 1/2" = 1'-0"



**SECTION A-A**  
SCALE: 1/2" = 1'-0"

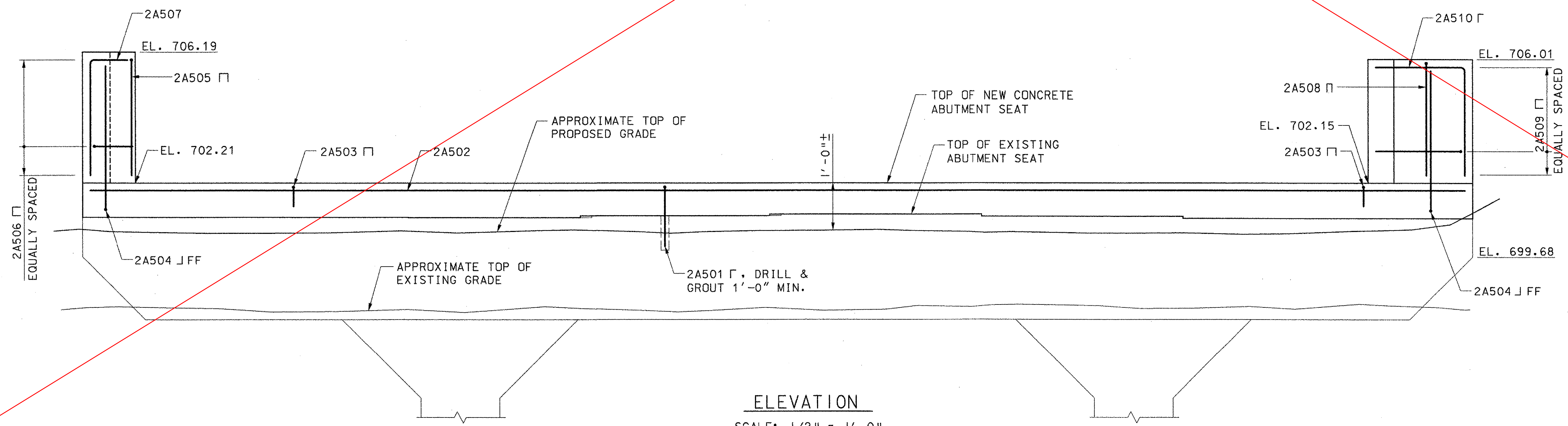


**SECTION B-B**  
SCALE: 1/2" = 1'-0"



**SECTION C-C**  
SCALE: 1/2" = 1'-0"

SEE REVISED SHEET 39R



**ELEVATION**  
SCALE: 1/2" = 1'-0"

<b>STATE OF VERMONT</b>			
<b>AGENCY OF TRANSPORTATION</b>			
Town OF	WOODSTOCK	Bridge No.	50
Highway No.	U. S. ROUTE 4	Log Sta.	
	U. S. ROUTE 4 OVER OTTAUQUECHEE RIVER	Surv. Sta.	
<b>ABUTMENT 2</b>			
Designed By	T. S. BRYANT	Drawn By	B. J. MASSE
Checked By	J. T. KLEIN	Bridge Design Supervisor	M. A. COLGAN
Date	10/06	Date	10/06
PROJECT	WOODSTOCK	PROJECT NO.	BHF 020-2 (32)
I.G.C. Info.	ZJ028		
Bridge Sheet No.	ZJ028MA2	Sheet	39 of 71

**VHB Vanasse Hangen Brustlin, Inc.**