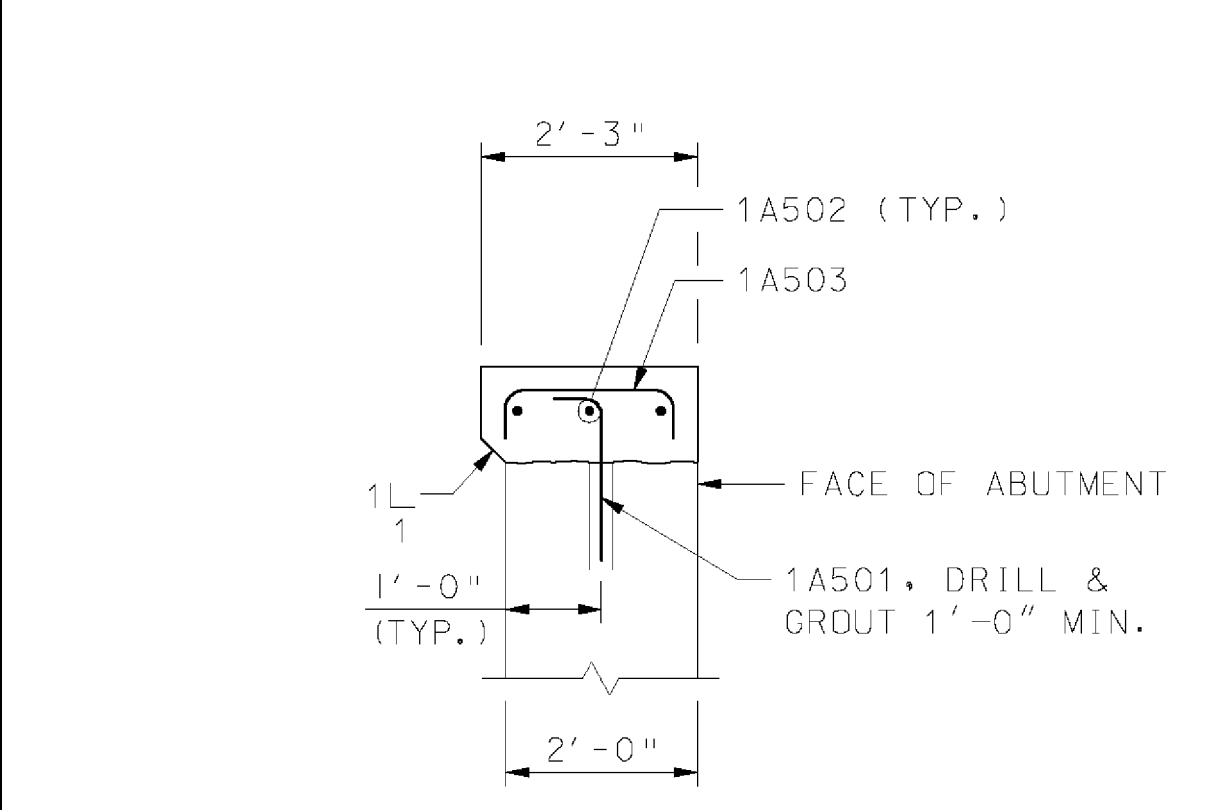


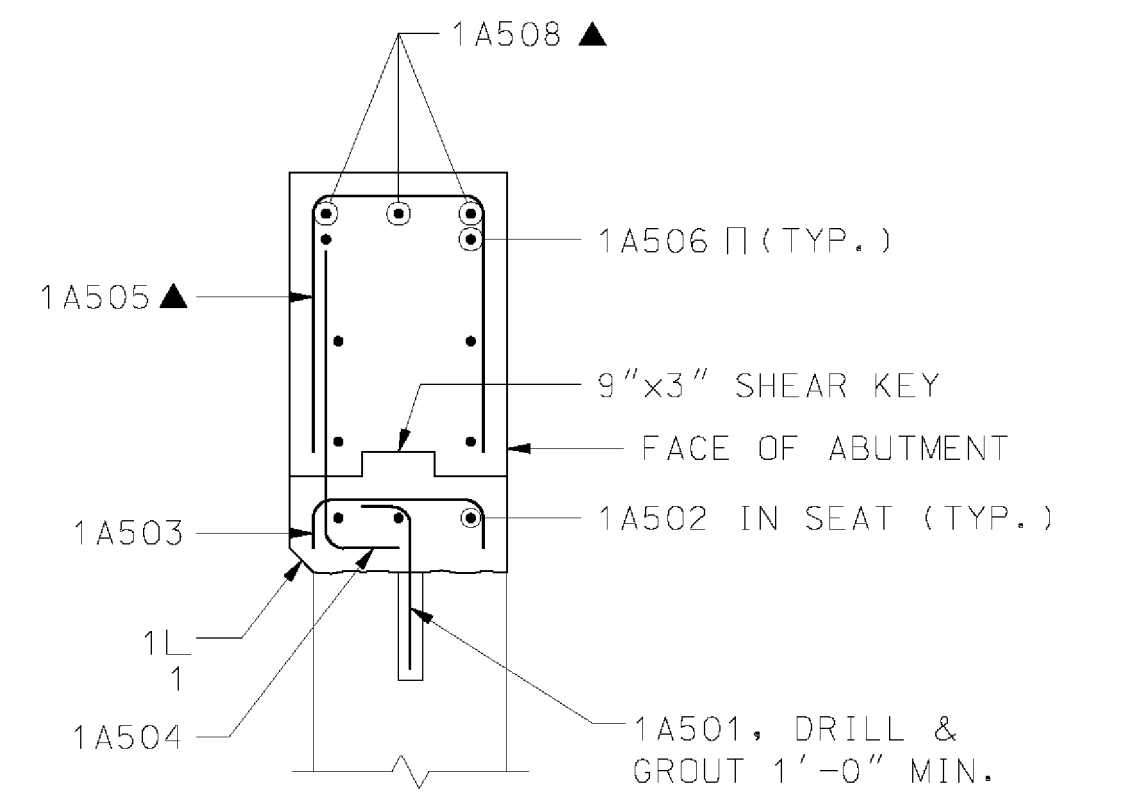
PLAN

SCALE: 1/2" = 1'-0"



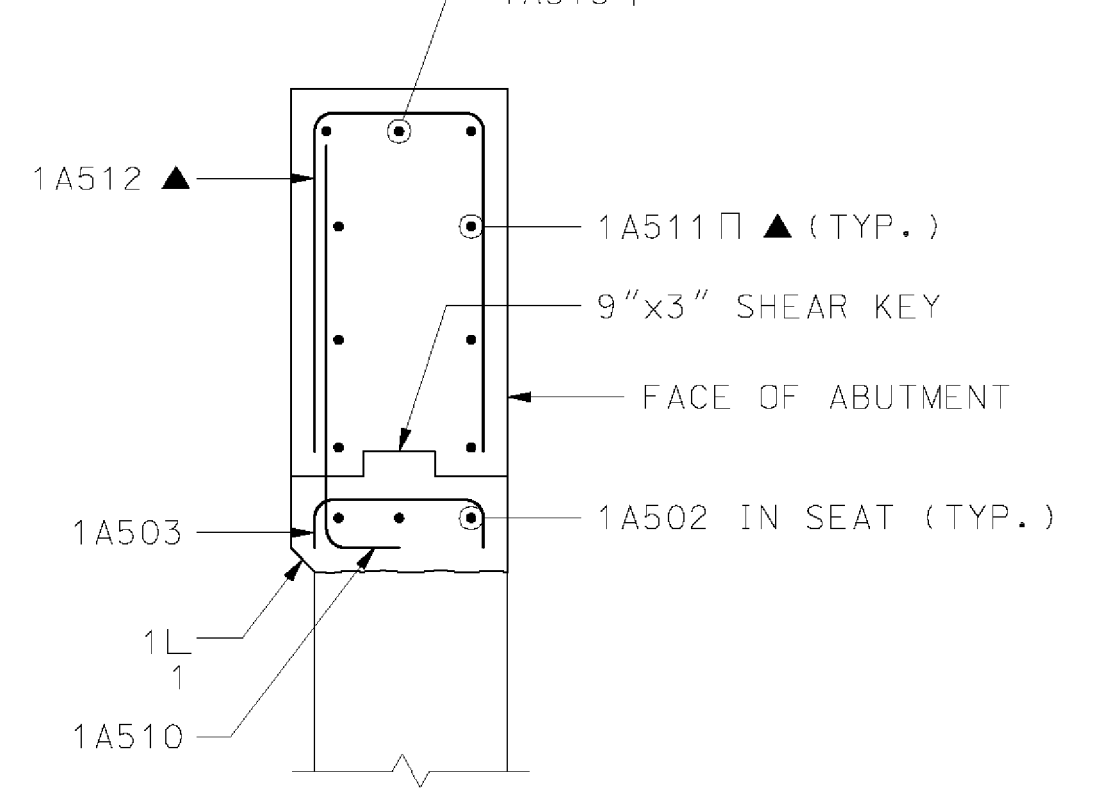
SECTION A-A

SCALE: 1/2" = 1'-0"



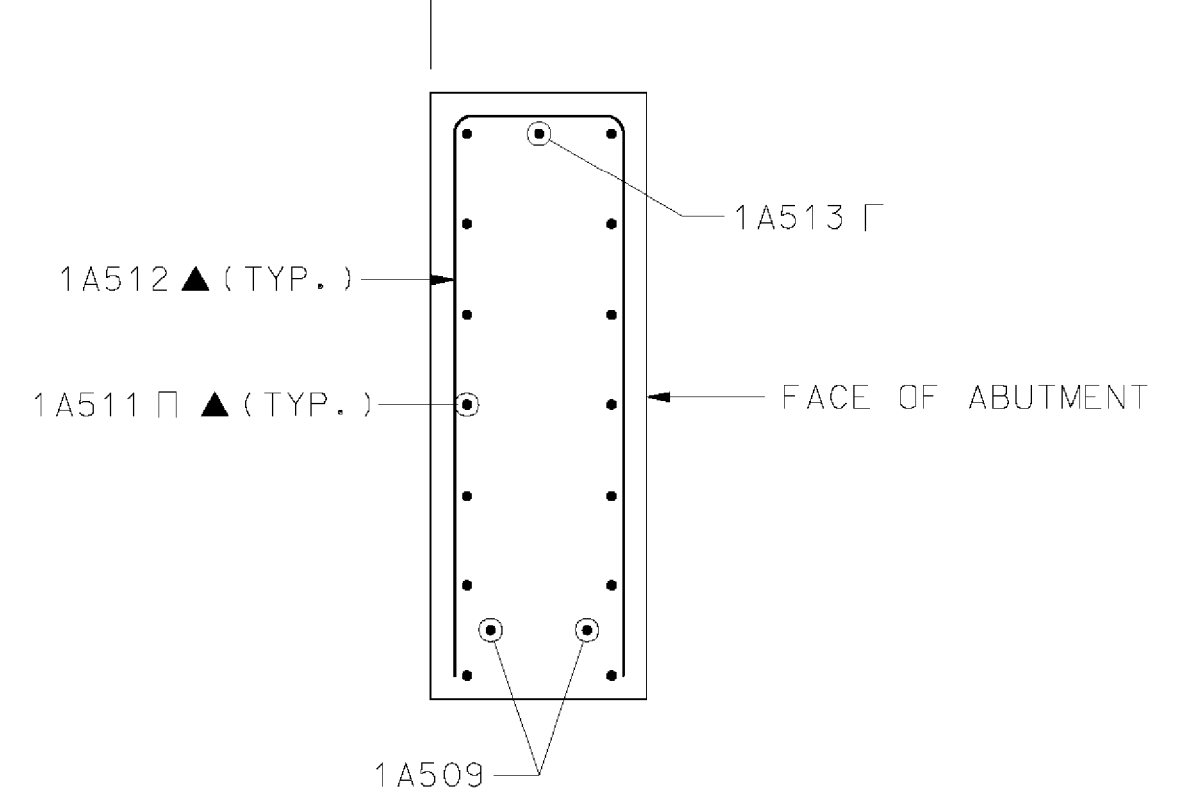
SECTION B-B

SCALE: 1/2" = 1'-0"



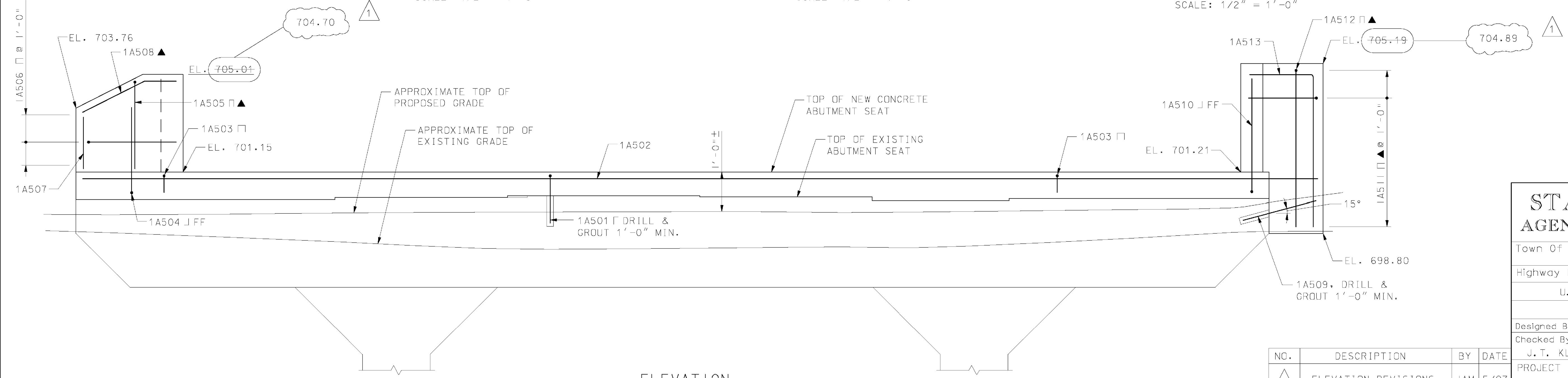
SECTION C-C

SCALE: 1/2" = 1'-0"



SECTION D-D

(1A502 NOT SHOWN FOR CLARITY)
SCALE: 1/2" = 1'-0"



ELEVATION

SCALE: 1/2" = 1'-0"

**STATE OF VERMONT
AGENCY OF TRANSPORTATION**

Town Of	WOODSTOCK	Bridge No.	50
Highway No.	U. S. ROUTE 4	Log Sta.	
		Surv. Sta.	
U. S. ROUTE 4 OVER OTTAUQUECHEE RIVER			

ABUTMENT 1			
Designed By	T. S. BRYANT	Drawn By	B. J. MASSE
Checked By	J. T. KLEIN	Bridge Design Supervisor	M. A. COLGAN
Date	10/06	Date	10/06
PROJECT	WOODSTOCK	PROJECT NO.	BHF 020-2 (32)

NO.	DESCRIPTION	BY	DATE
1	ELEVATION REVISIONS	JAM	5/07

VHB Vanasse Hangen Brustlin, Inc.

I.G.C. Info.
Bridge Sheet No. ZJ028MA1_R Sheet 38R of 71