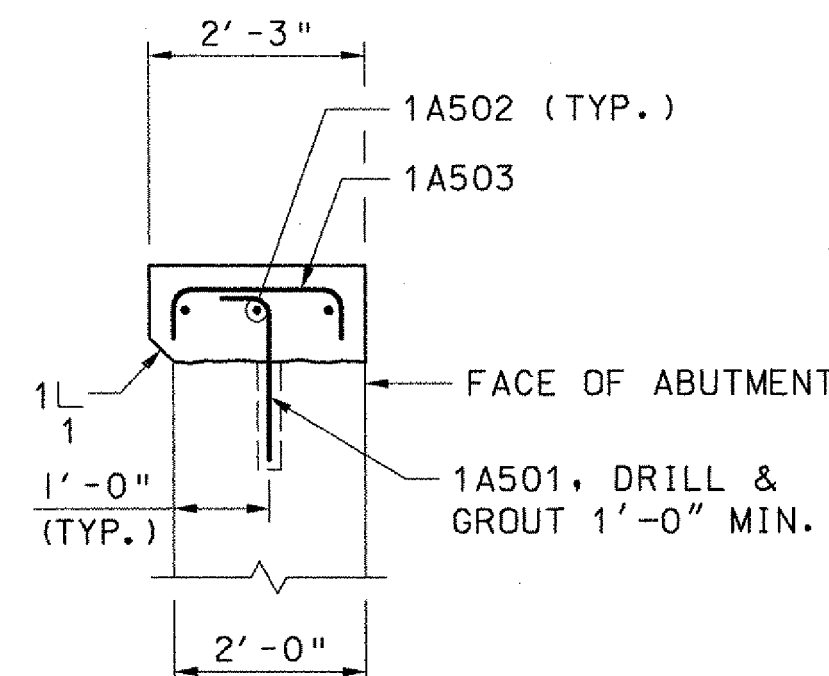
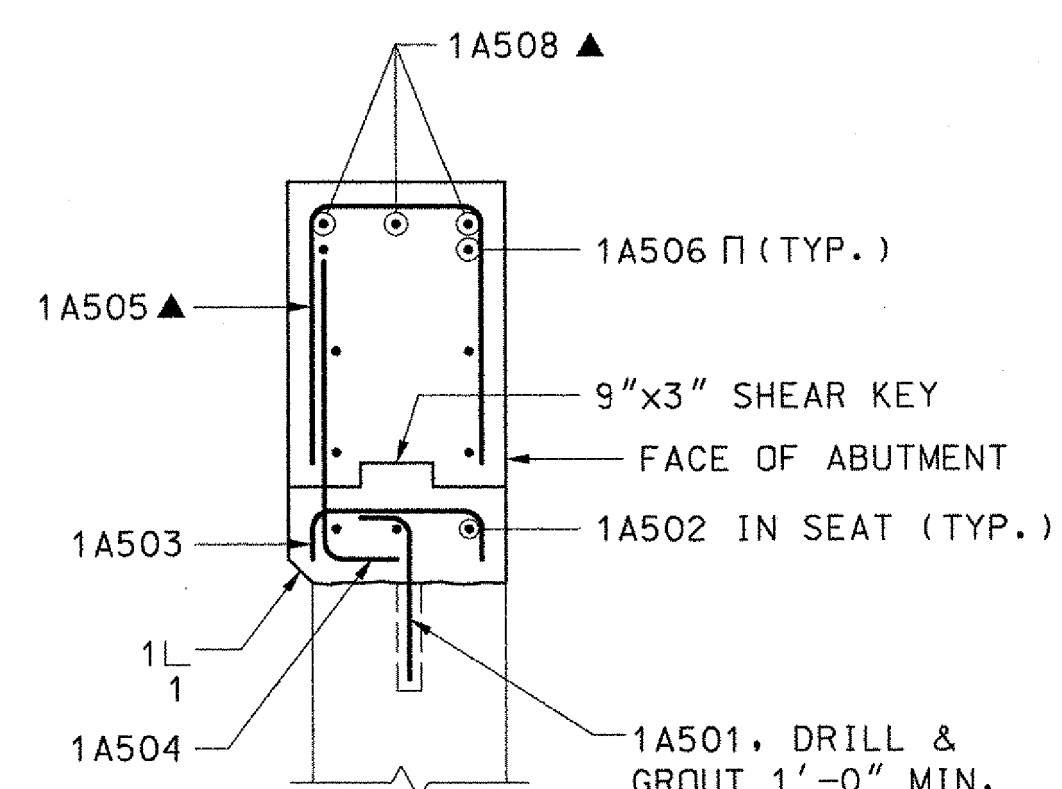


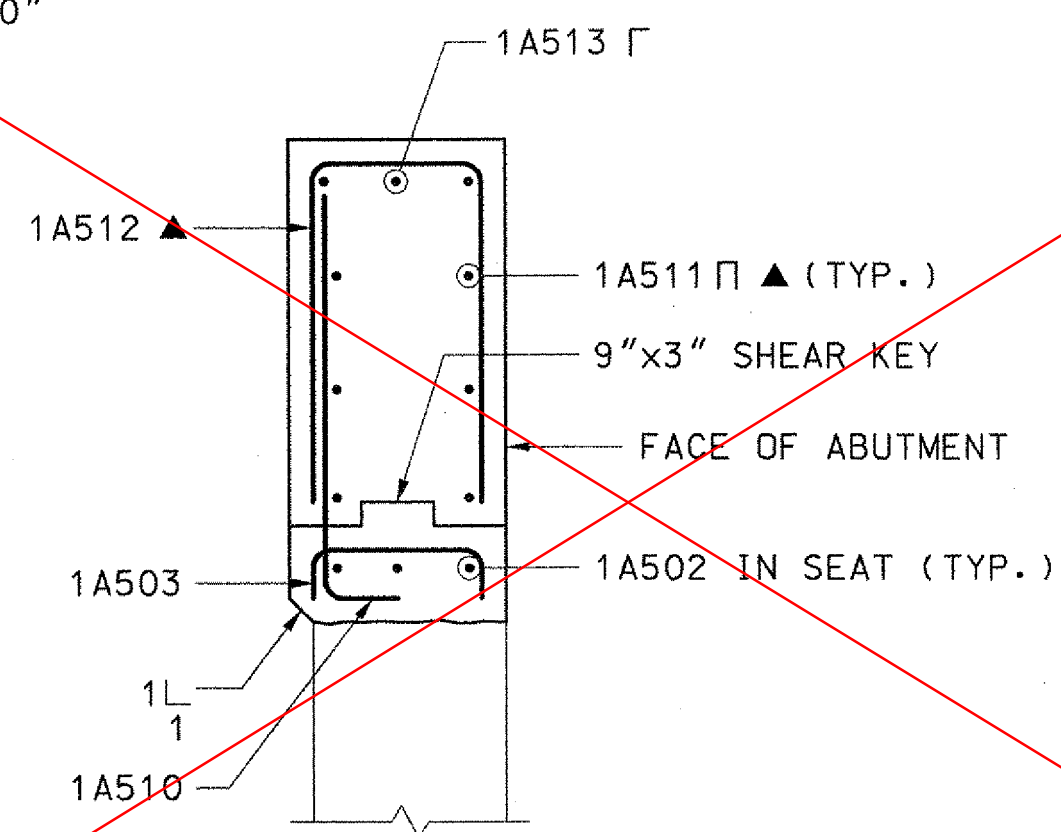
PLAN
SCALE: 1/2" = 1'-0"



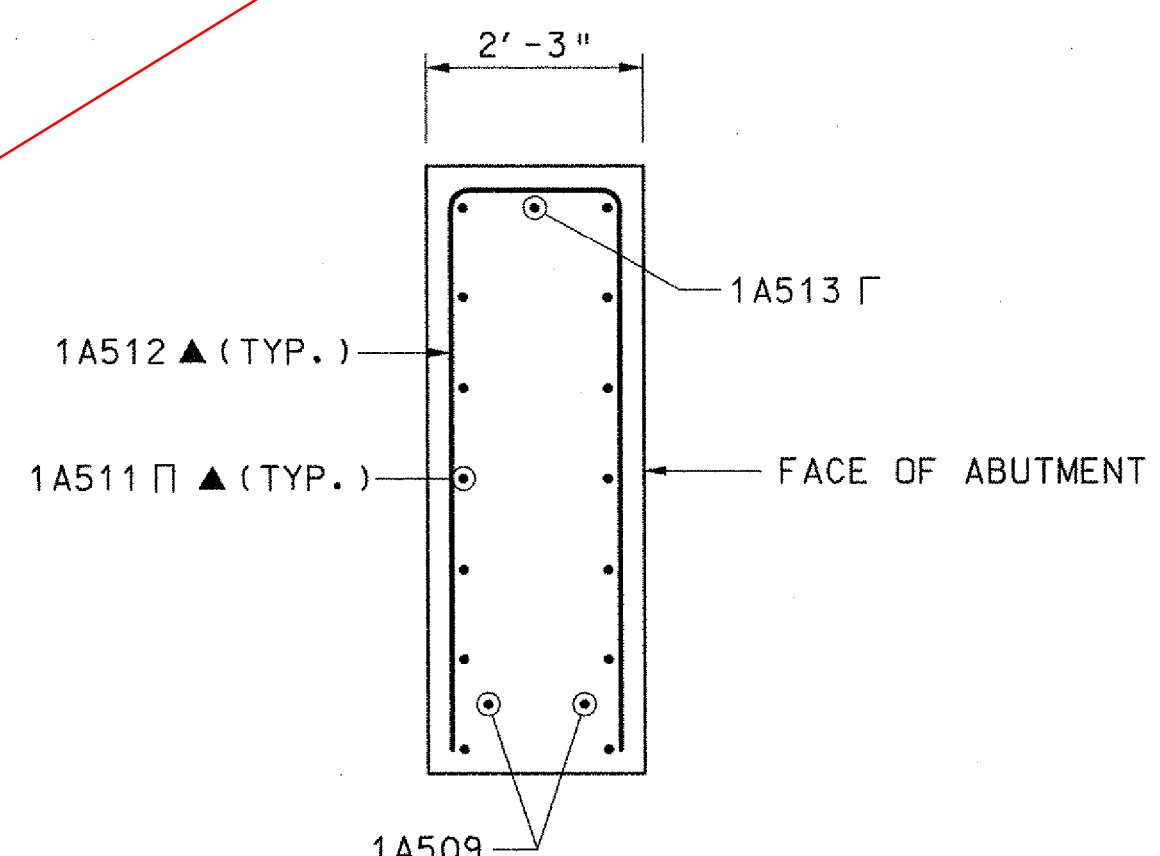
SECTION A-A
SCALE: 1/2" = 1'-0"



SECTION B-B
SCALE: 1/2" = 1'-0"

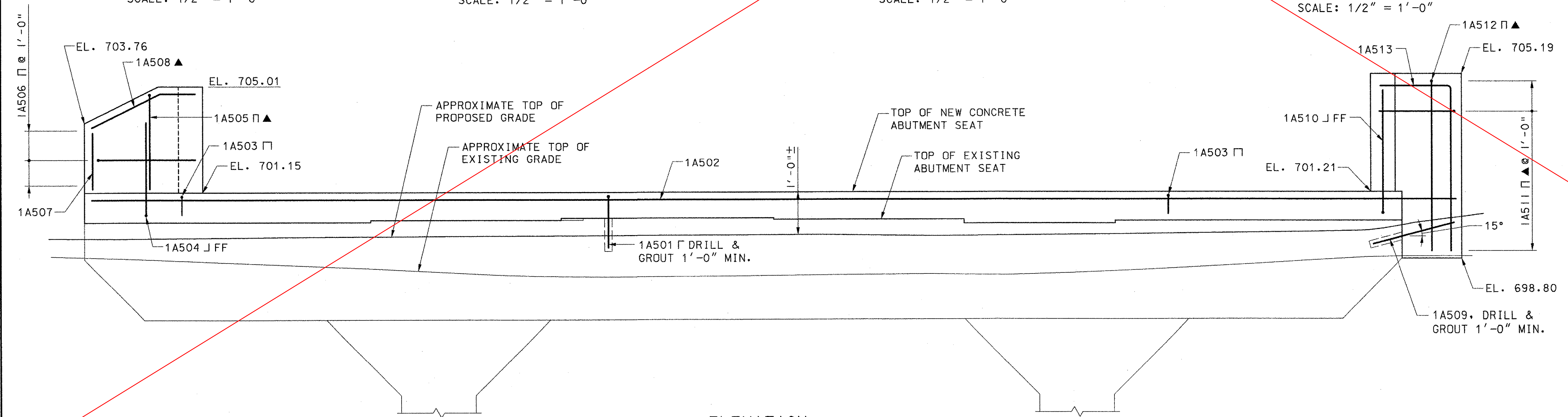


SECTION C-C
SCALE: 1/2" = 1'-0"



SECTION D-D
(1A502 NOT SHOWN FOR CLARITY)
SCALE: 1/2" = 1'-0"

SEE REVISED SHEET 38R



ELEVATION
SCALE: 1/2" = 1'-0"

STATE OF VERMONT			
AGENCY OF TRANSPORTATION			
Town Of	WOODSTOCK	Bridge No.	50
Highway No.	U. S. ROUTE 4	Log Sta.	
		Surv. Sta.	
U. S. ROUTE 4 OVER OTTAUQUECHEE RIVER			
ABUTMENT 1			
Designed By	T. S. BRYANT	Drawn By	B. J. MASSE
Checked By	J. T. KLEIN	Bridge Design Supervisor	M. A. COLGAN
Date	10/06	Date	10/06
PROJECT	WOODSTOCK	PROJECT NO.	BHF 020-2 (32)
I.G.C. Info.			
Bridge Sheet No.	ZJ028MA1	Sheet	38 of 71

VHB Vanasse Hangen Brustlin, Inc.