

ELEVATION  
ABUTMENT NO. 1  
SCALE: 1/4" = 1'-0"

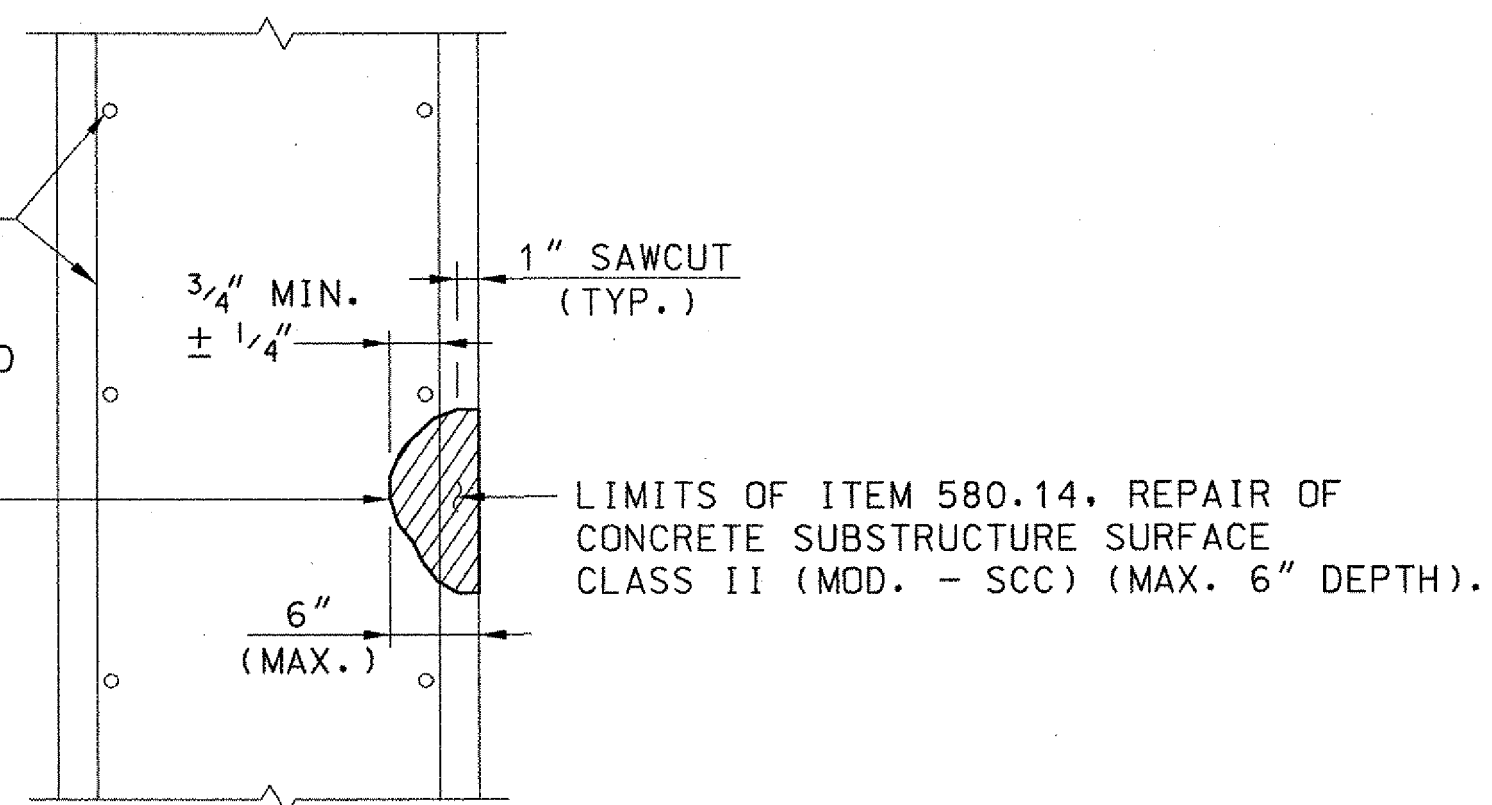
ELEVATION  
ABUTMENT NO. 2  
SCALE: 1/4" = 1'-0"

▨ DENOTES LIMIT OF REMOVAL

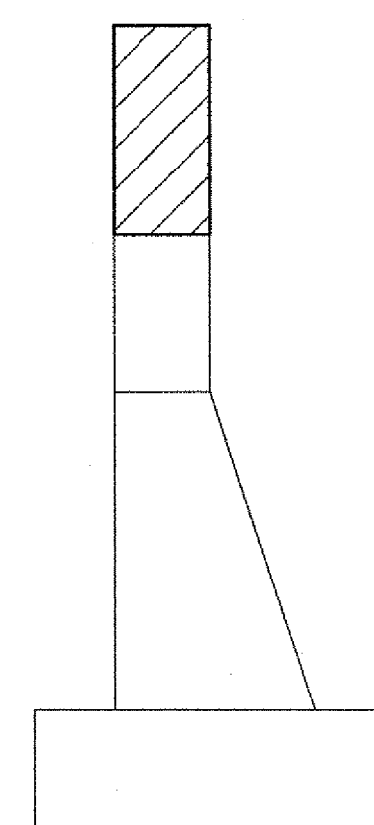
RETAIN EXISTING REINFORCING STEEL (TYP.)

SPALLED OR DELAMINATED AREAS (SHOWN FOR ILLUSTRATIVE PURPOSES ONLY) (TYP.)

REMOVAL OF EXISTING CONCRETE TO A DEPTH GREATER THAN SPECIFIED FOR ITEM 580.14 SHALL BE PAID UNDER ITEM 580.15. REPAIR OF CONCRETE SUBSTRUCTURE SURFACE CLASS III (MOD. - SCC).



REPAIR OF CONCRETE SUBSTRUCTURE SURFACE  
CLASS II  
N.T.S.



SECTION  
N.T.S.

NOTE:  
1. SEE SHEET 22 FOR REMOVAL AND REPAIR NOTES.

STATE OF VERMONT  
AGENCY OF TRANSPORTATION

Town Of	WOODSTOCK	Bridge No.	50
Highway No.	U. S. ROUTE 4	Log Sta.	
		Surv. Sta.	
U. S. ROUTE 4 OVER OTTAUQUECHEE RIVER			
<b>ABUTMENT REMOVAL &amp; REPAIR</b>			
Designed By	K. G. KRETSCH	Drawn By	B. J. MASSE
Checked By	J. T. KLEIN	Date	9/06
		Bridge Design Supervisor	M. A. COLGAN Date 9/06
PROJECT	WOODSTOCK	PROJECT NO.	BHF 020-2 (32)
I.G.C. Info.	ZJ028		
Bridge Sheet No.	ZJ028MAR	Sheet	37 of 71

VHB Vanasse Hangen Brustlin, Inc.