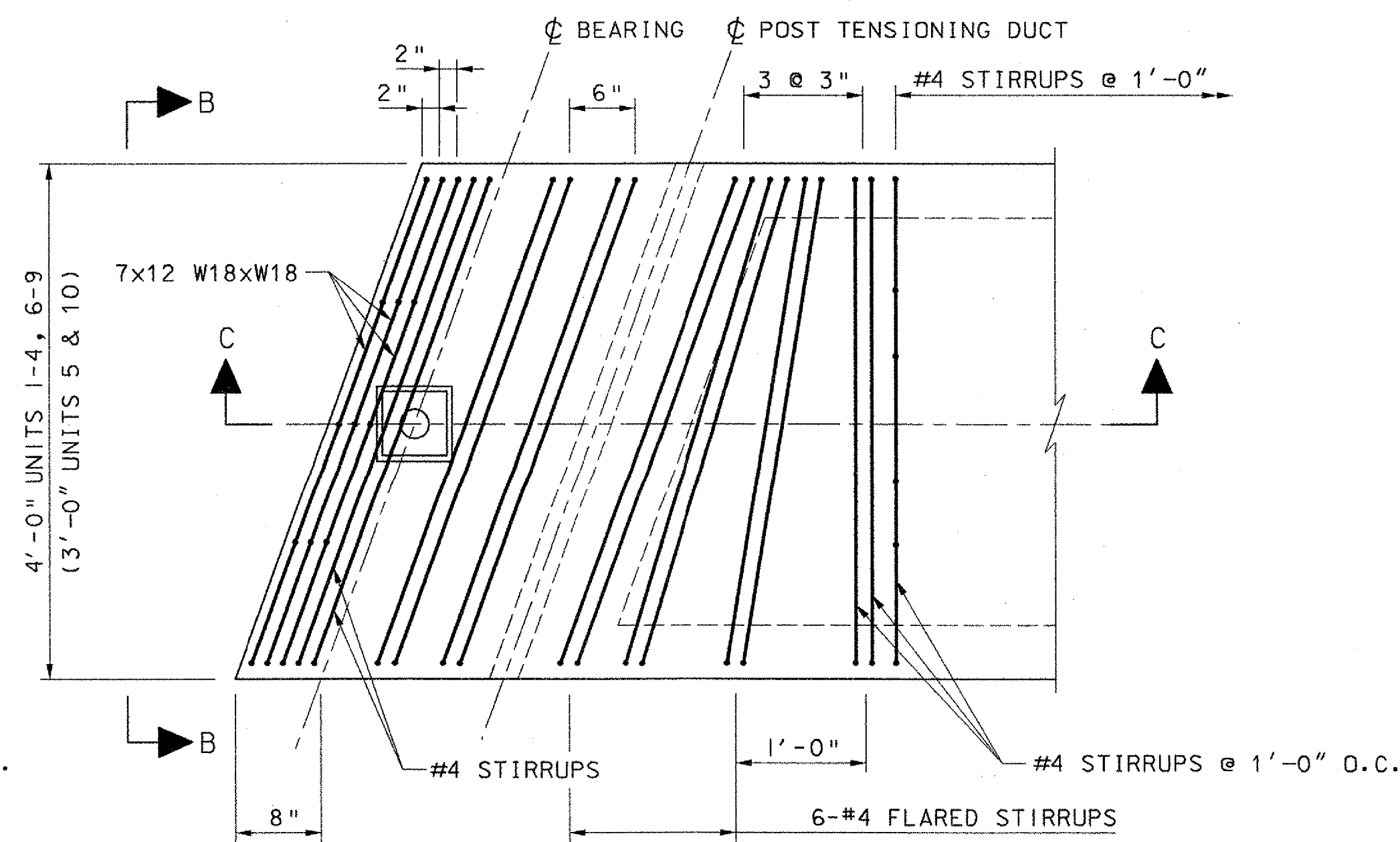
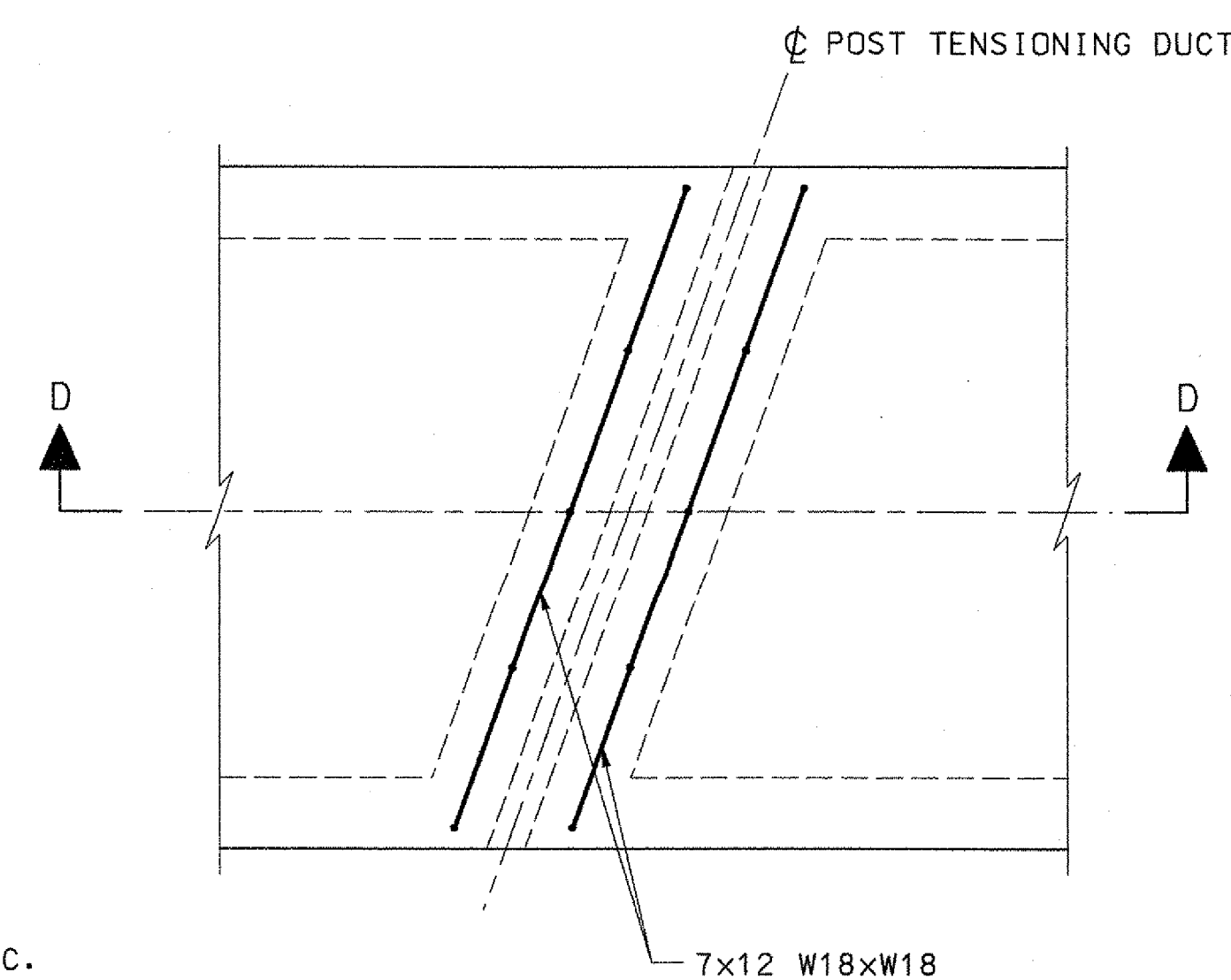


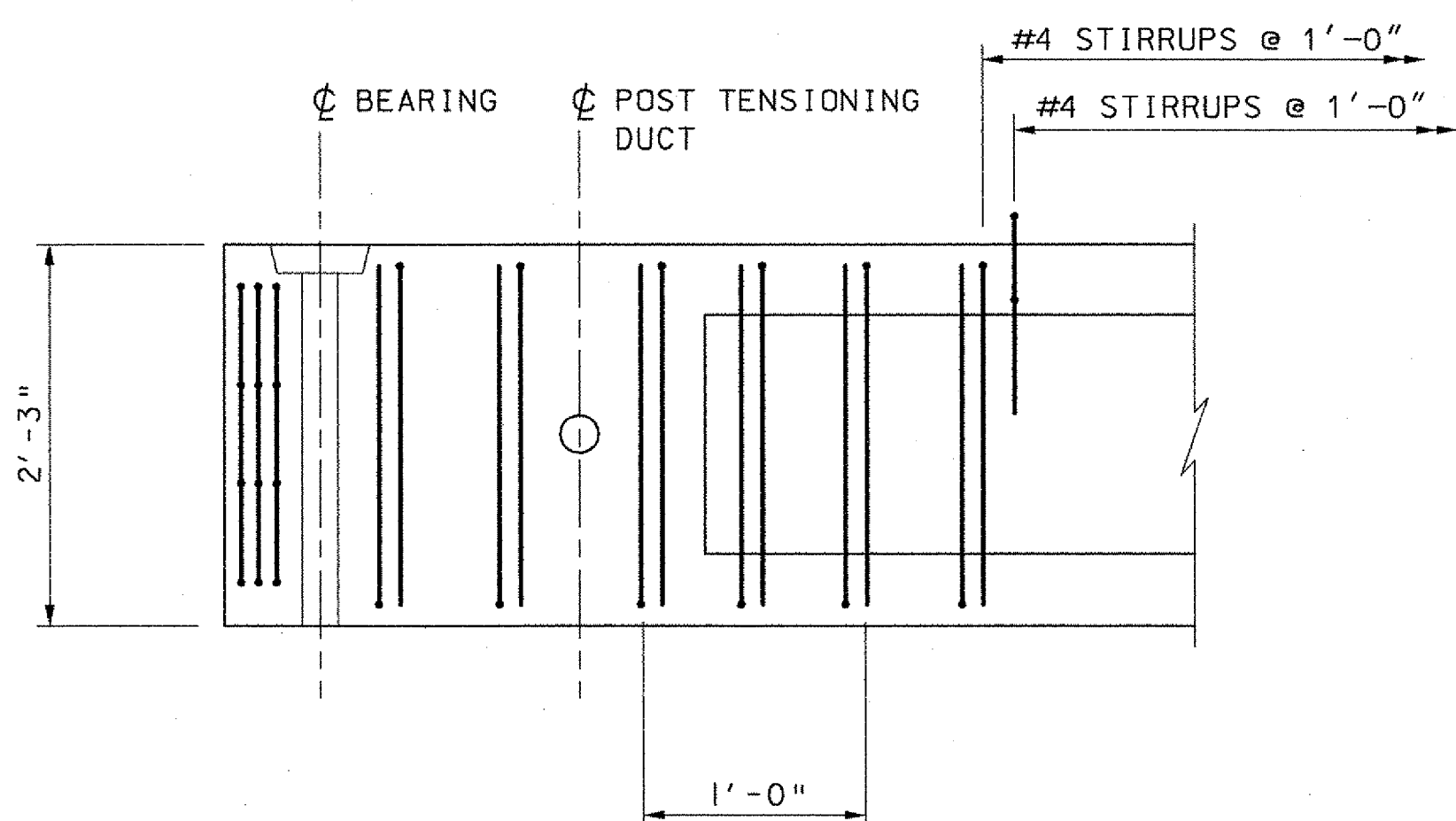
END BLOCK DETAIL  
SPANS 1 & 3  
SCALE: 1" = 1'-0"



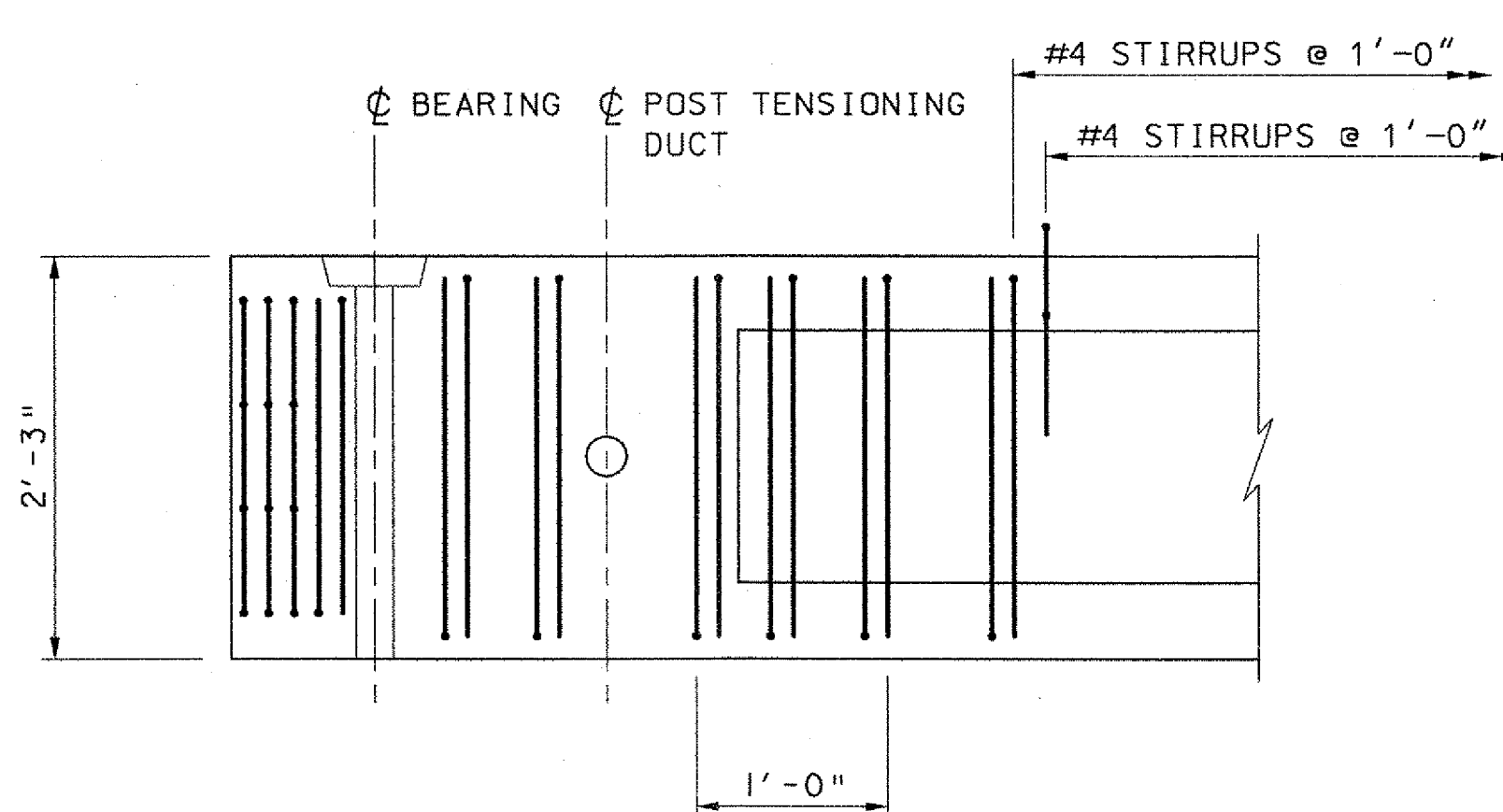
END BLOCK DETAIL  
SPAN 2  
SCALE: 1" = 1'-0"



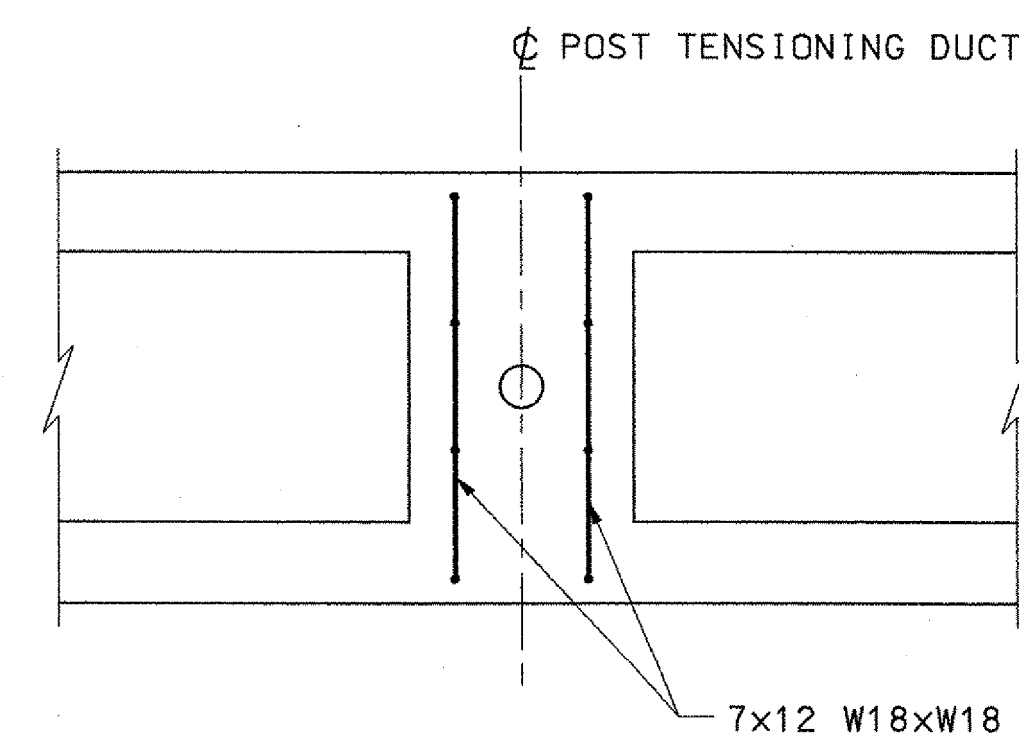
DETAIL AT TRANSVERSE TENDON  
SCALE: 1" = 1'-0"



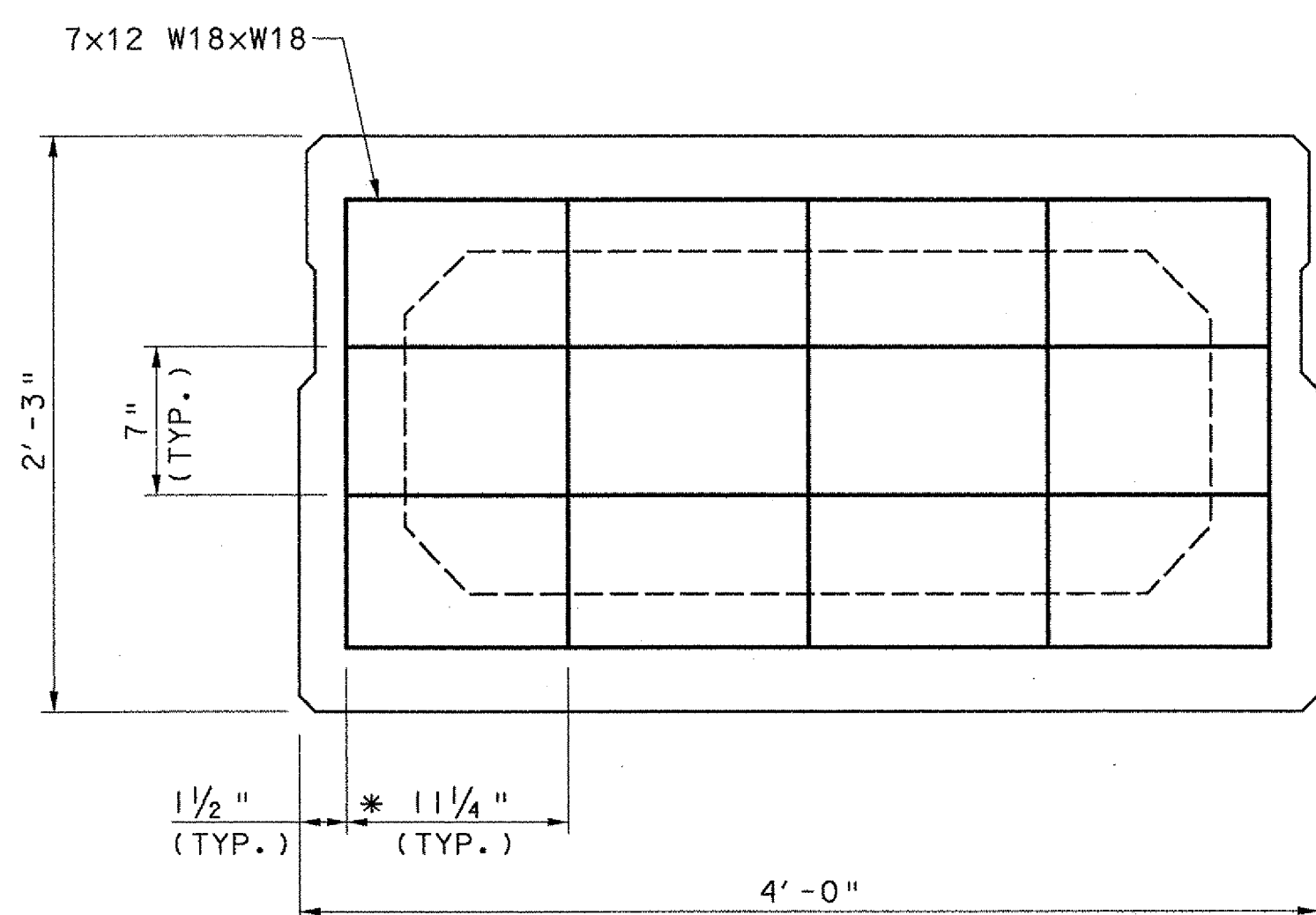
BOX BEAM SECTION A-A  
SCALE: 1" = 1'-0"



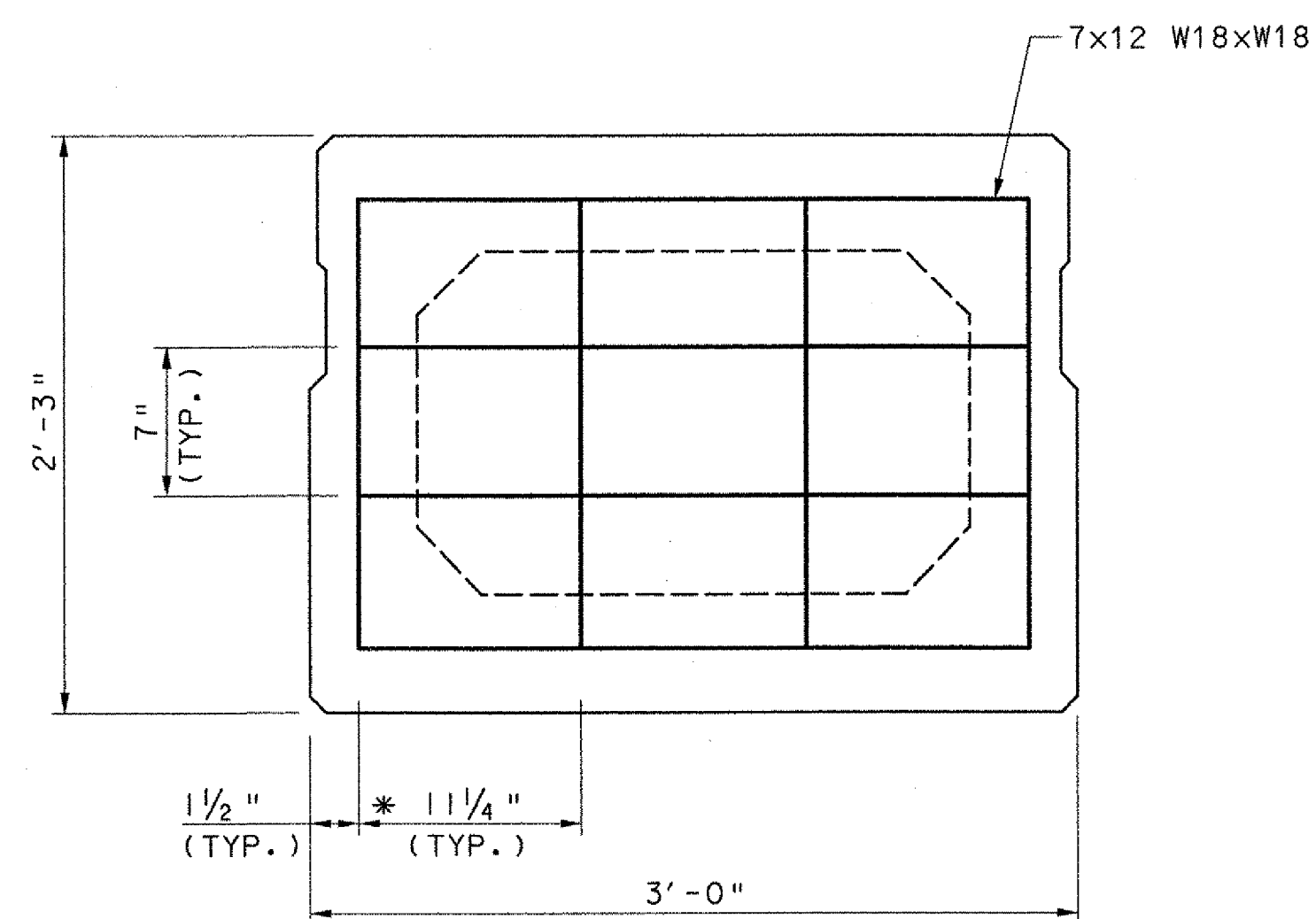
BOX BEAM SECTION C-C  
SCALE: 1" = 1'-0"



BOX BEAM SECTION D-D  
SCALE: 1" = 1'-0"



UNITS 1-4, 6-9  
SCALE: 1 1/2" = 1'-0"



UNITS 5 & 10  
SCALE: 1 1/2" = 1'-0"

VIEW B-B

\* EFFECTS OF SKEW  
ON GRID

VHB Vanasse Hangen Brustlin, Inc.

STATE OF VERMONT AGENCY OF TRANSPORTATION			
Town Of	WOODSTOCK	Bridge No.	50
Highway No.	U. S. ROUTE 4	Log Sta.	
		Surv. Sta.	
U. S. ROUTE 4 OVER OTTAUQUECHEE RIVER			
BOX BEAM DETAILS (1 OF 2)			
Designed By	K. G. KRETSCH	Drawn By	B. J. MASSE
Checked By	S. M. HODGDON	Date	9/06
		Bridge Design Supervisor	M. A. COLGAN Date 9/06
PROJECT	WOODSTOCK	PROJECT NO.	BHF 020-2 (32)
I.G.C. Info.			
Bridge Sheet No.	ZJ028BB2	Sheet	34 of 71