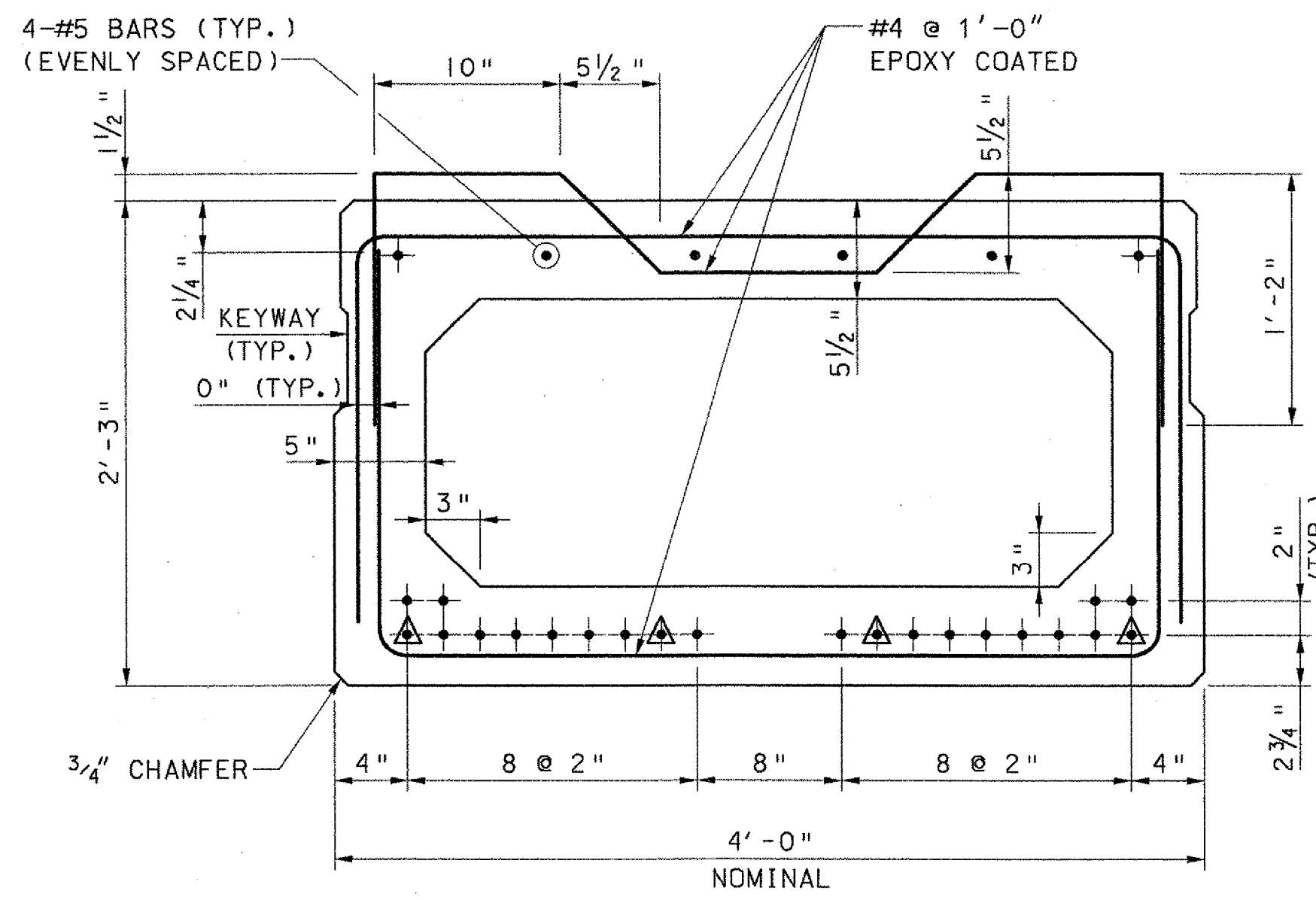
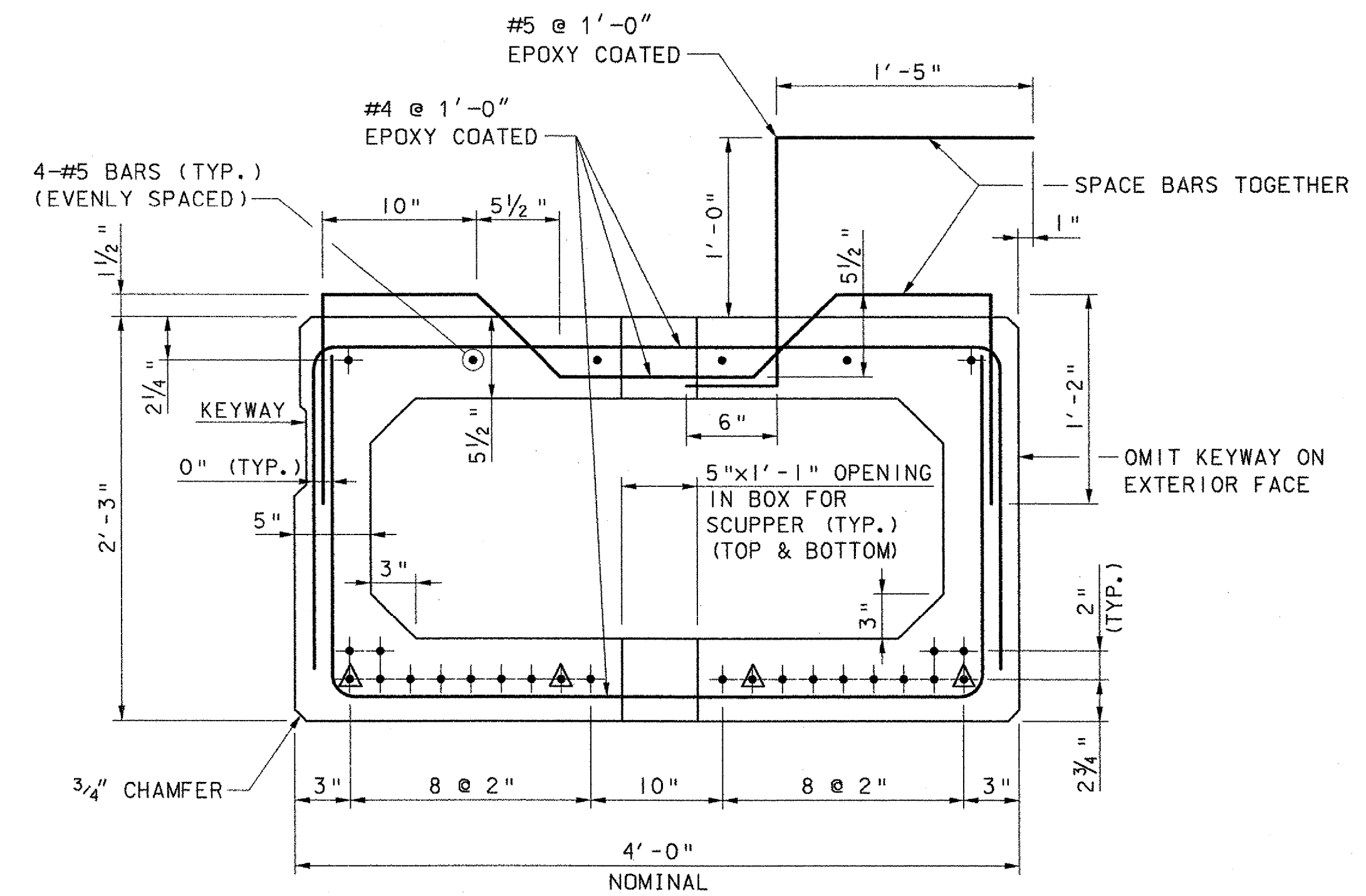


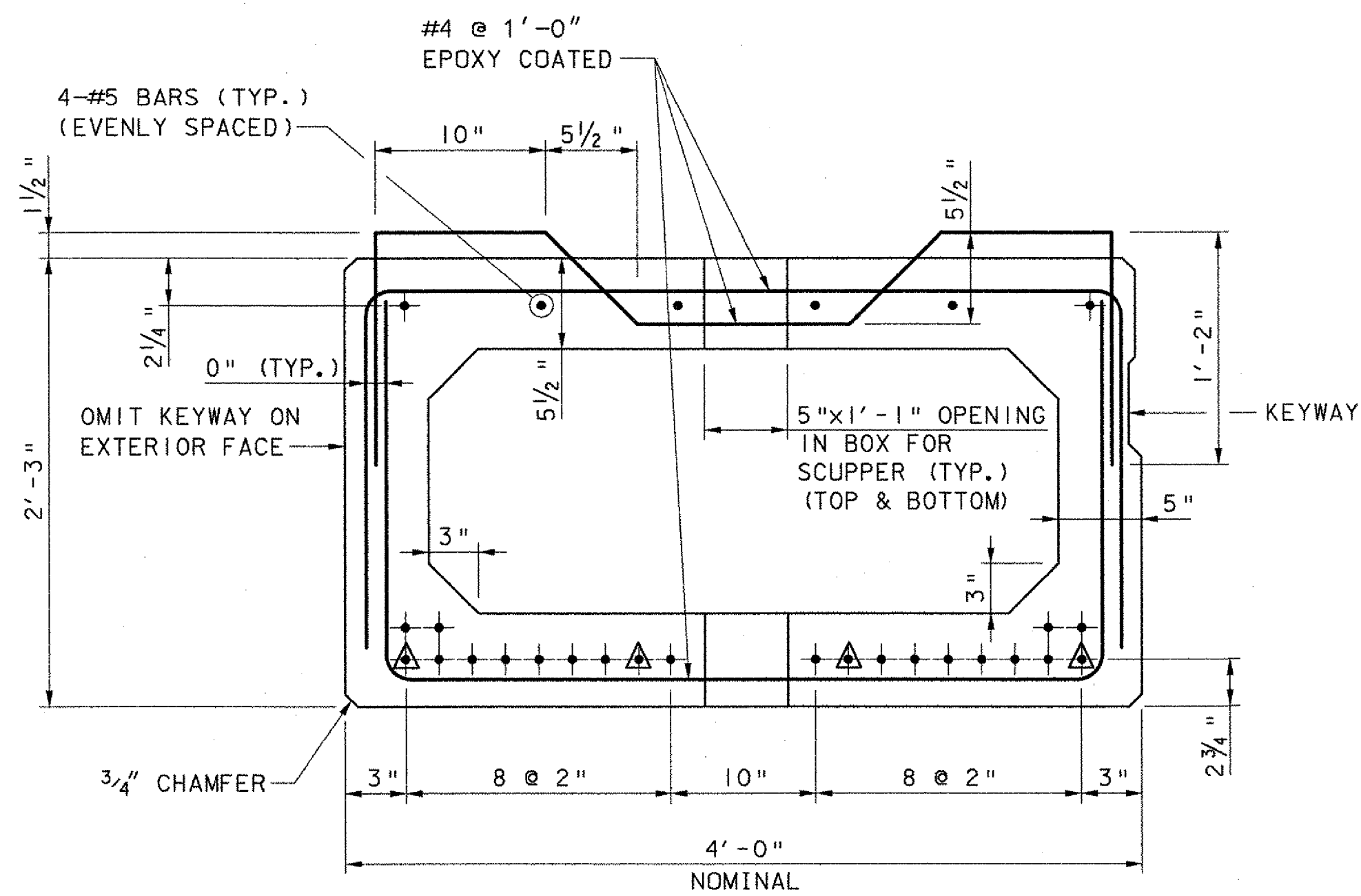
TYPICAL SECTION - UNIT 6
SCALE: 1 1/2" = 1'-0"



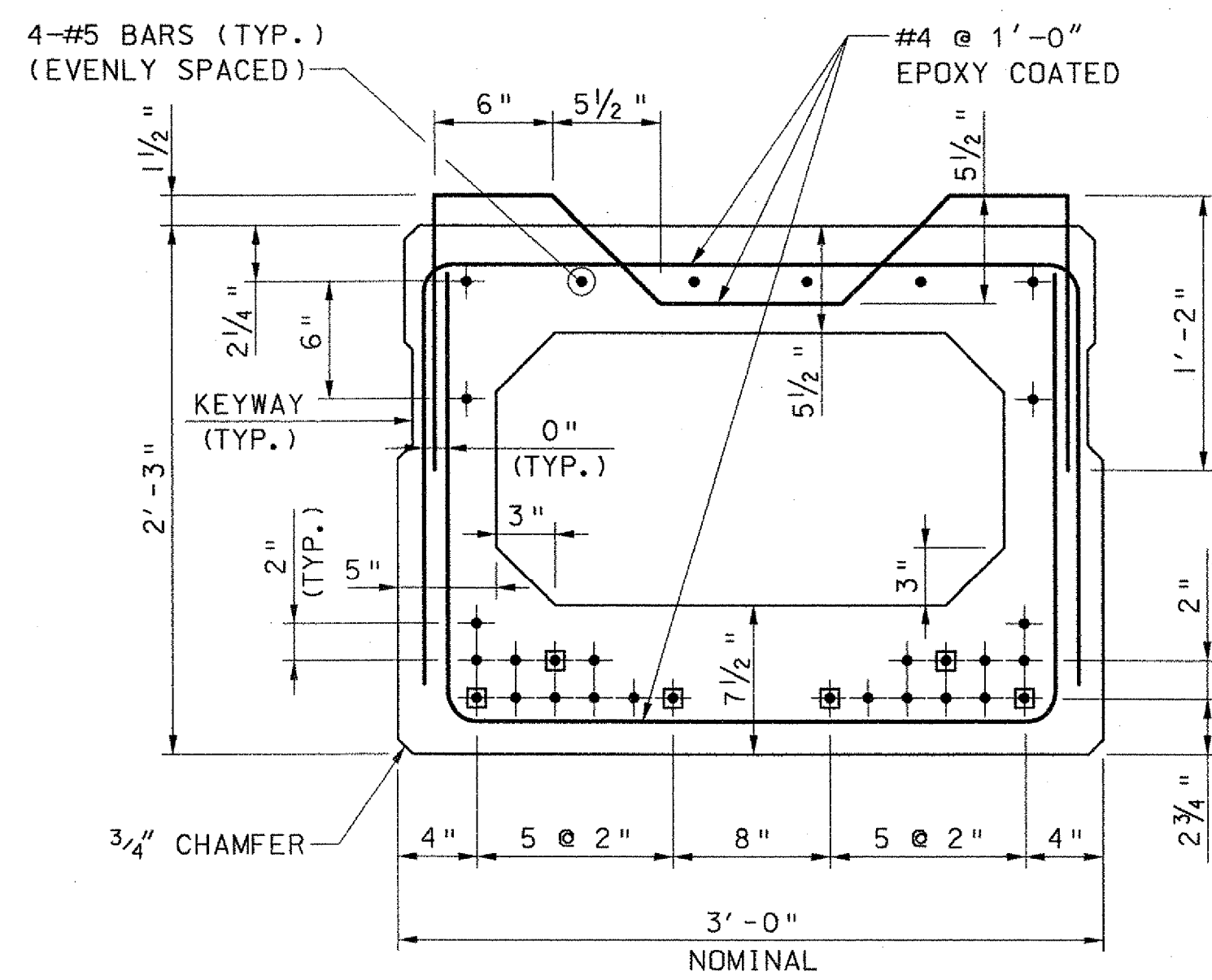
TYPICAL SECTION - UNIT 7
SCALE: 1 1/2" = 1'-0"



TYPICAL SECTION - UNIT 8
SCALE: 1 1/2" = 1'-0"



TYPICAL SECTION - UNIT 9
SCALE: 1 1/2" = 1'-0"



TYPICAL SECTION - UNIT 10
SCALE: 1 1/2" = 1'-0"

KEY:

- = #5 REINFORCING BAR
- + = 0.6" DIA. 270 STRAND
- ▲ = DEBOND 6'-0"
- ⊕ = DEBOND 24'-0"

STATE OF VERMONT
AGENCY OF TRANSPORTATION

Town Of	WOODSTOCK	Bridge No.	50
Highway No.	U. S. ROUTE 4	Log Sta.	
		Surv. Sta.	
U. S. ROUTE 4 OVER OTTAUQUECHEE RIVER			
SPAN 2 BOX BEAM TYPICAL SECTIONS			
Designed By	K. G. KRETSCH	Drawn By	B. J. MASSE
Checked By	S. M. HODGDON	Date	9/06
		Bridge Design Supervisor	M. A. COLGAN Date 9/06
PROJECT	WOODSTOCK	PROJECT NO.	BHF 020-2 (32)
I.G.C. Info.			
Bridge Sheet No.	ZJ028DK6	Sheet	33 of 71

VHB Vanasse Hangen Brustlin, Inc.