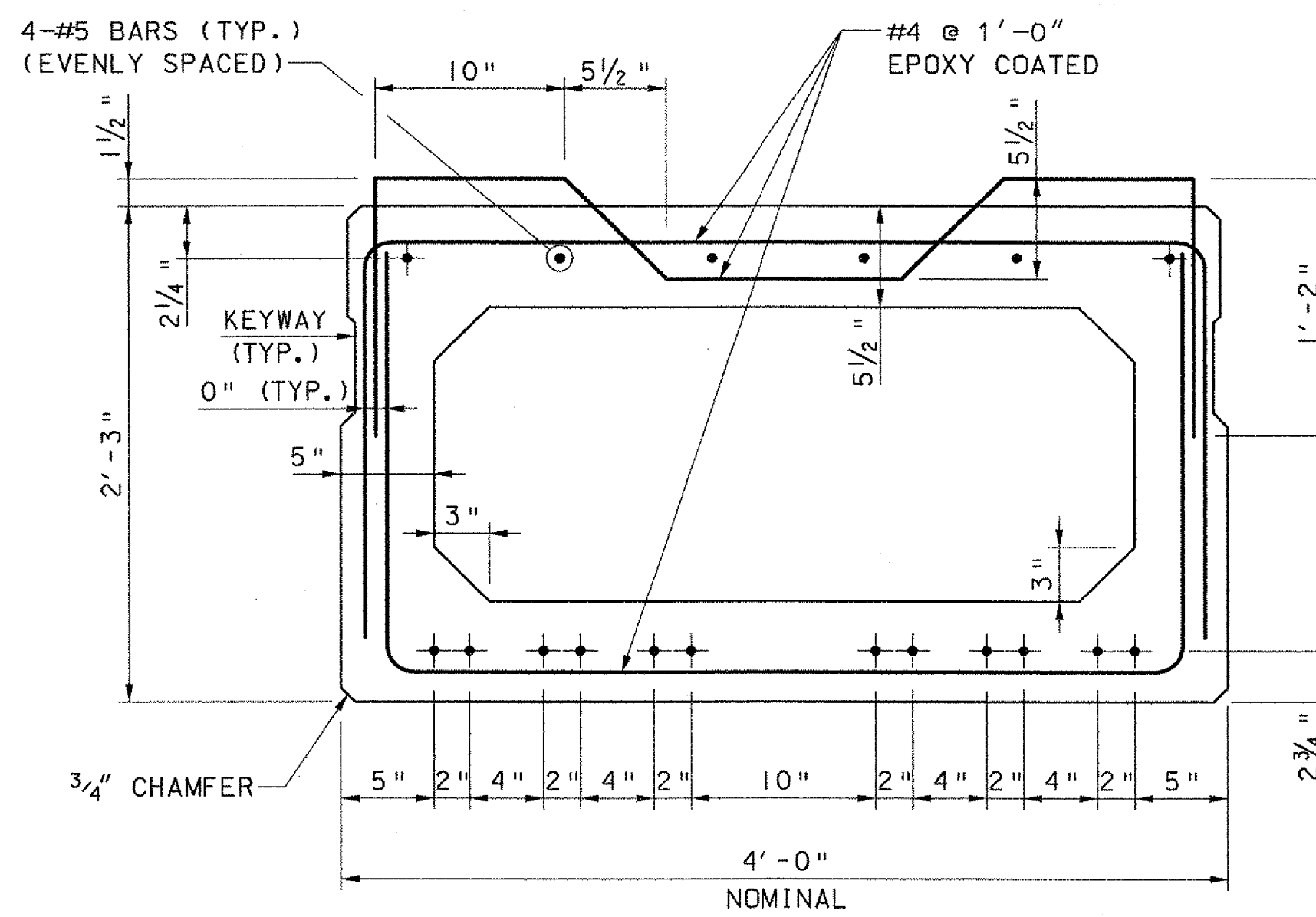
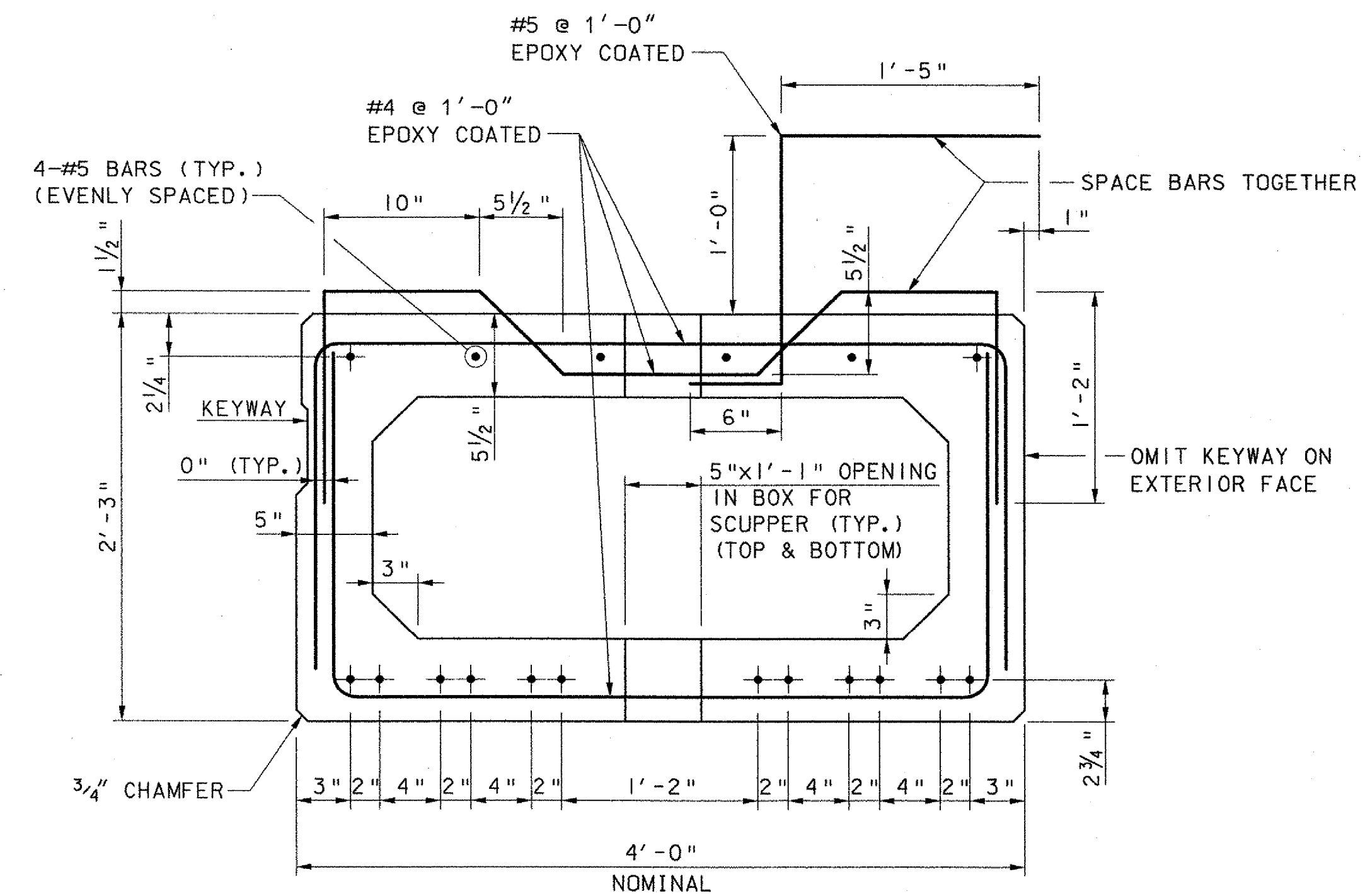


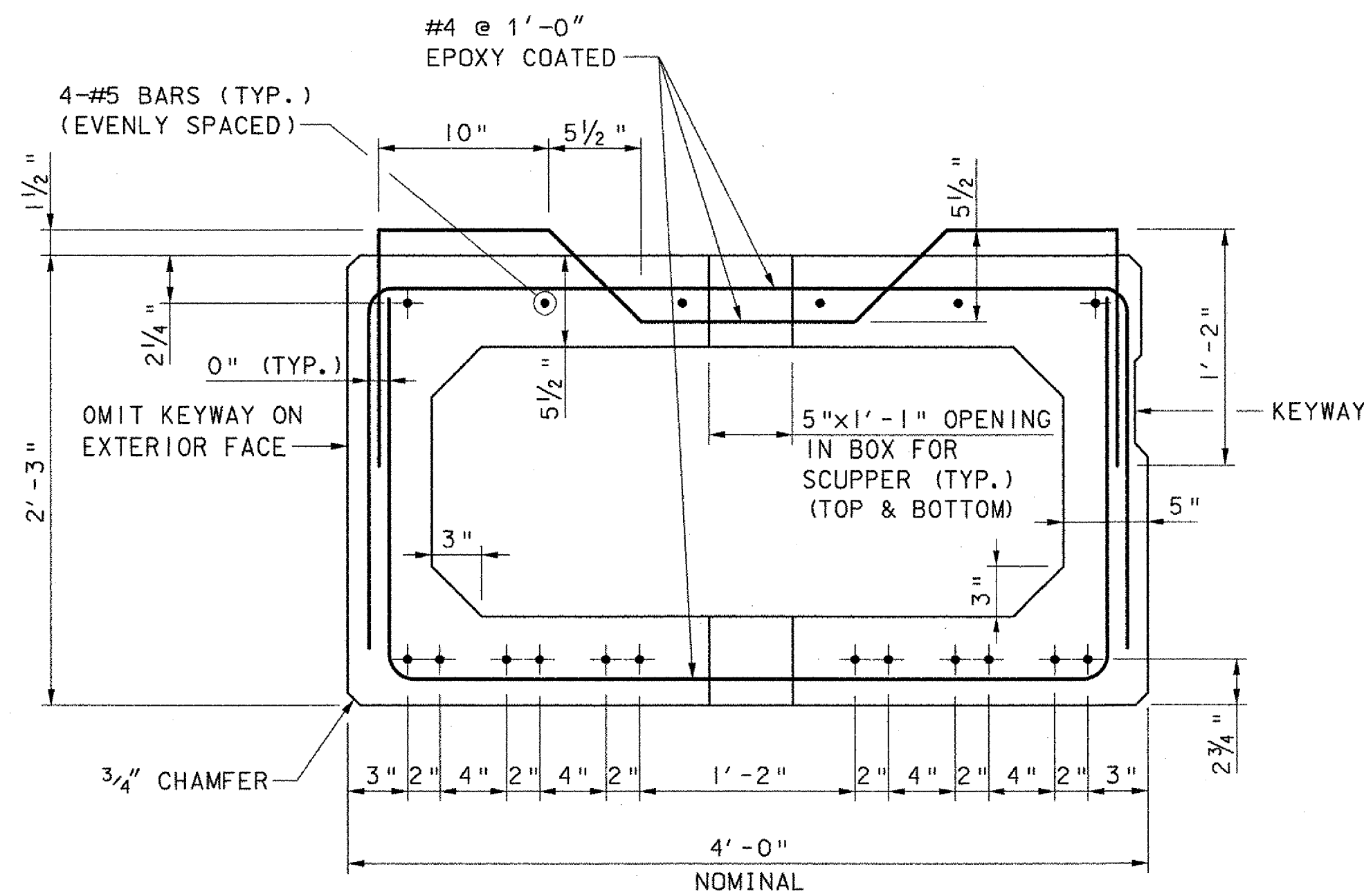
TYPICAL SECTION - UNIT 1
SCALE: 1 1/2" = 1'-0"



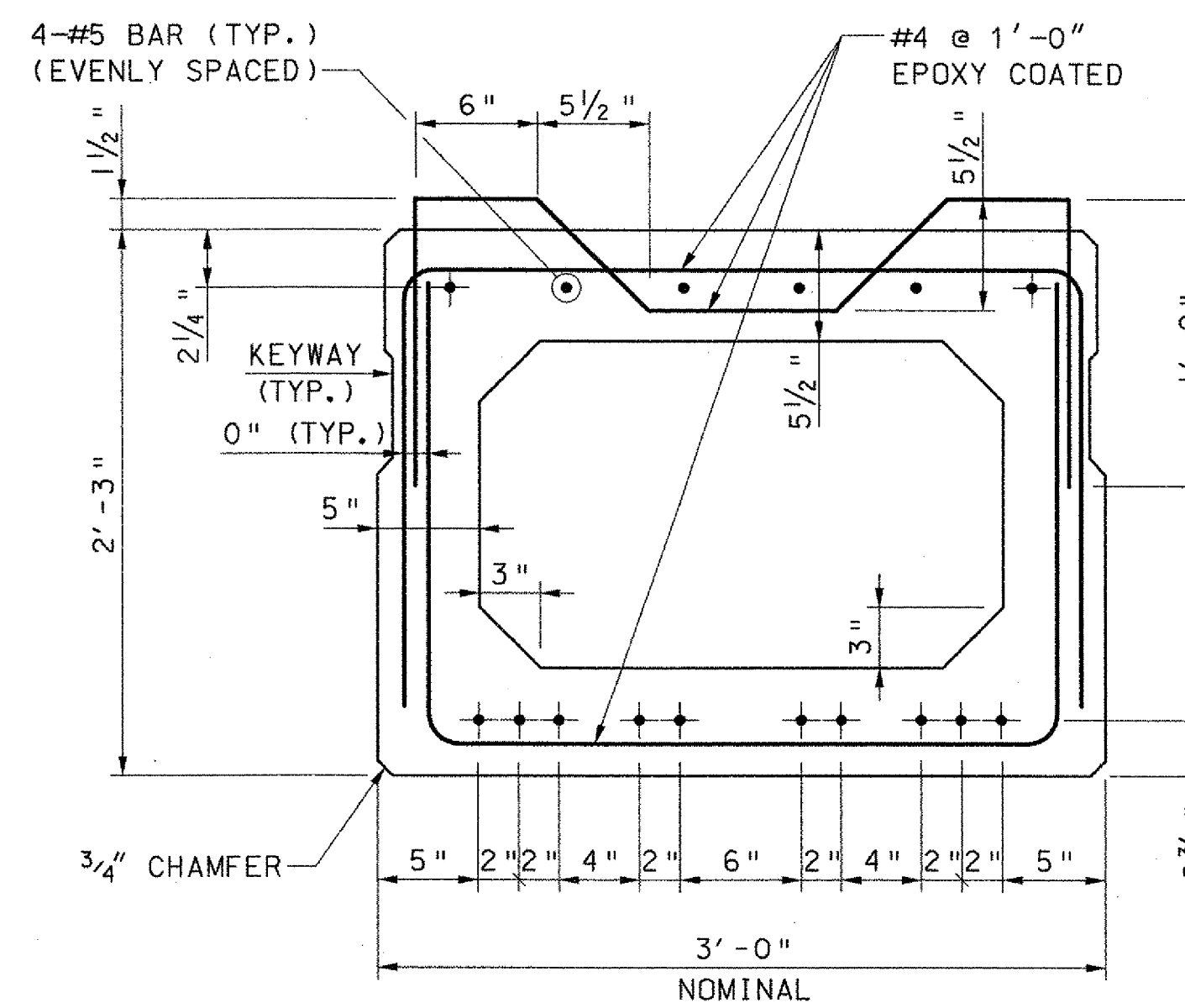
TYPICAL SECTION - UNIT 2
SCALE: 1 1/2" = 1'-0"



TYPICAL SECTION - UNIT 3
SCALE: 1 1/2" = 1'-0"



TYPICAL SECTION - UNIT 4
SCALE: 1 1/2" = 1'-0"



TYPICAL SECTION - UNIT 5
SCALE: 1 1/2" = 1'-0"

- = #5 REINFORCING BAR
- ⊕ = 0.6" DIA. STRAND

VHB Vanasse Hangen Brustlin, Inc.

STATE OF VERMONT AGENCY OF TRANSPORTATION	
Town Of WOODSTOCK	Bridge No. 50
Highway No. U. S. ROUTE 4	Log Sta. Surv. Sta.
U. S. ROUTE 4 OVER OTTAUQUECHEE RIVER	
SPAN 1 & 3 BOX BEAM TYPICAL SECTIONS	
Designed By K. G. KRETSCH	Drawn By B. J. MASSE
Checked By S. M. HODGDON	Bridge Design Supervisor M. A. COLGAN Date 9/06
PROJECT WOODSTOCK	PROJECT NO. BHF 020-2 (32)
I.G.C. Info.	
Bridge Sheet No. ZJ028DK5	Sheet 32 of 71