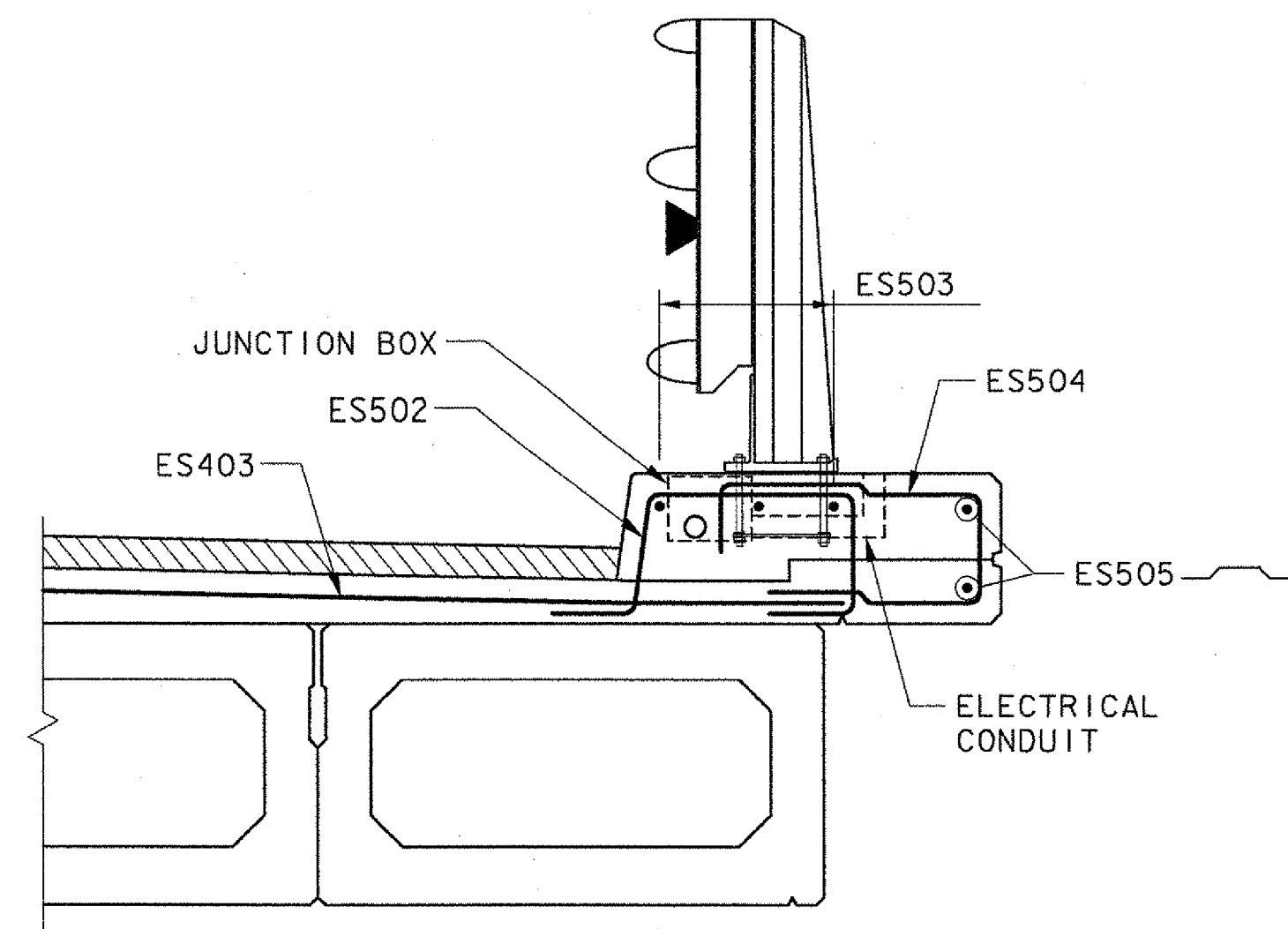


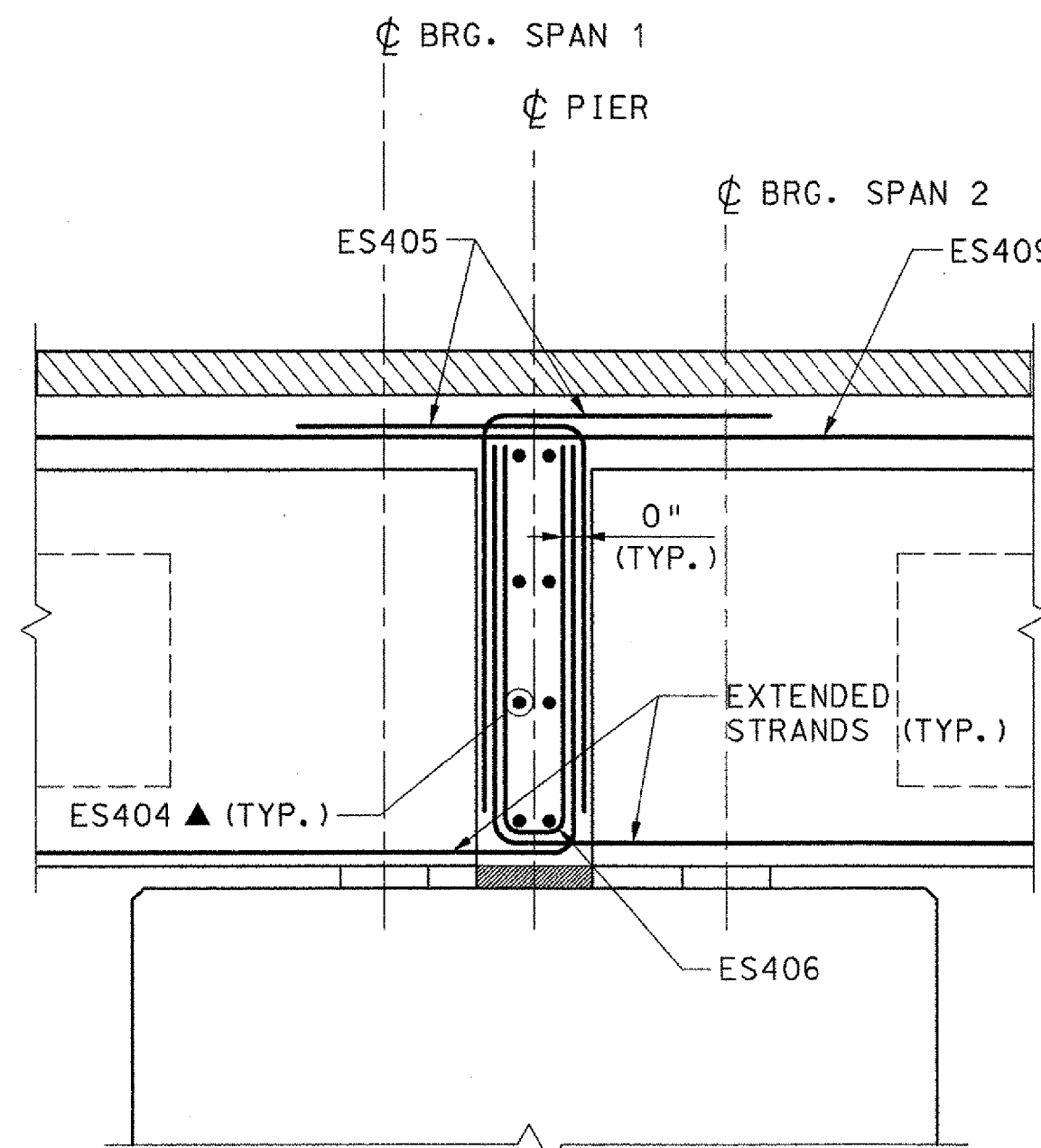
TYPICAL SIDEWALK & CURB REINFORCEMENT

SCALE: 3/4" = 1'-0"



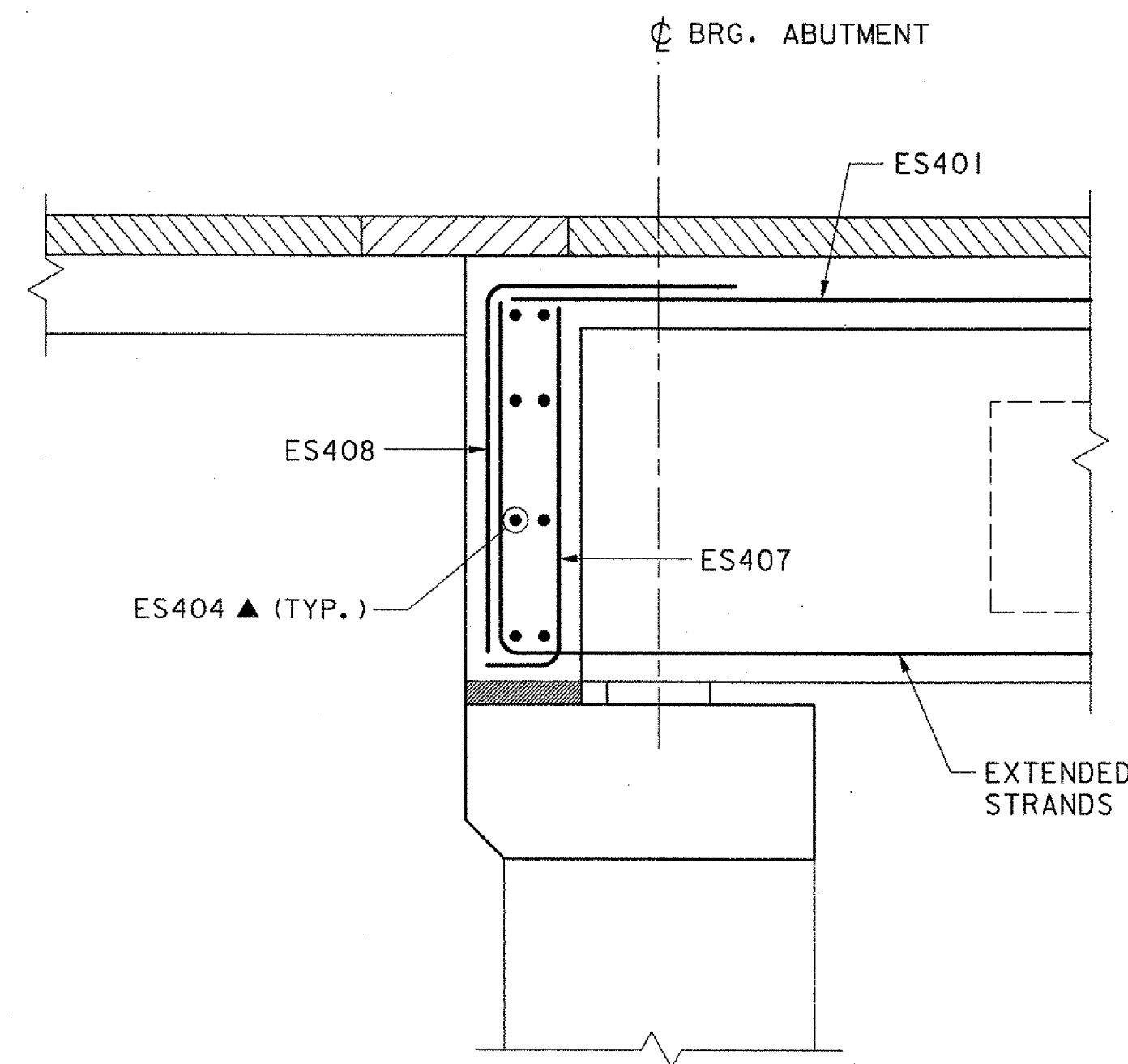
SECTION THRU CURB AT LIGHT POLE SUPPORT

(CURB REINFORCING SHOWN, SIDEWALK REINFORCING AT LIGHT POLE SUPPORT SIMILAR)
SCALE: 3/4" = 1'-0"



TYPICAL SECTION OVER PIERS

(PIER 1 SHOWN, PIER 2 SIMILAR OPPOSITE HAND)
(SHOWN PERPENDICULAR TO ϕ PIER)
N.T.S.



BRIDGE END DETAIL

(SHOWN PERPENDICULAR TO ϕ BEARING)
SCALE: 1" = 1'-0"

STATE OF VERMONT AGENCY OF TRANSPORTATION			
Town Of	WOODSTOCK	Bridge No.	50
Highway No.	U. S. ROUTE 4	Log Sta.	
		Surv. Sta.	
U. S. ROUTE 4 OVER OTTAUQUECHEE RIVER			
OVERLAY REINFORCEMENT (2 OF 2)			
Designed By	K. G. KRETSCH	Drawn By	B. J. MASSE
Checked By	J. T. KLEIN	Date	10/06
		Bridge Design Supervisor	M. A. COLGAN Date 10/06
PROJECT	WOODSTOCK	PROJECT NO.	BHF 020-2 (32)
I.G.C. Info.			
Bridge Sheet No.	ZU028DK4	Sheet	28 of 71

VHB Vanasse Hangen Brustlin, Inc.