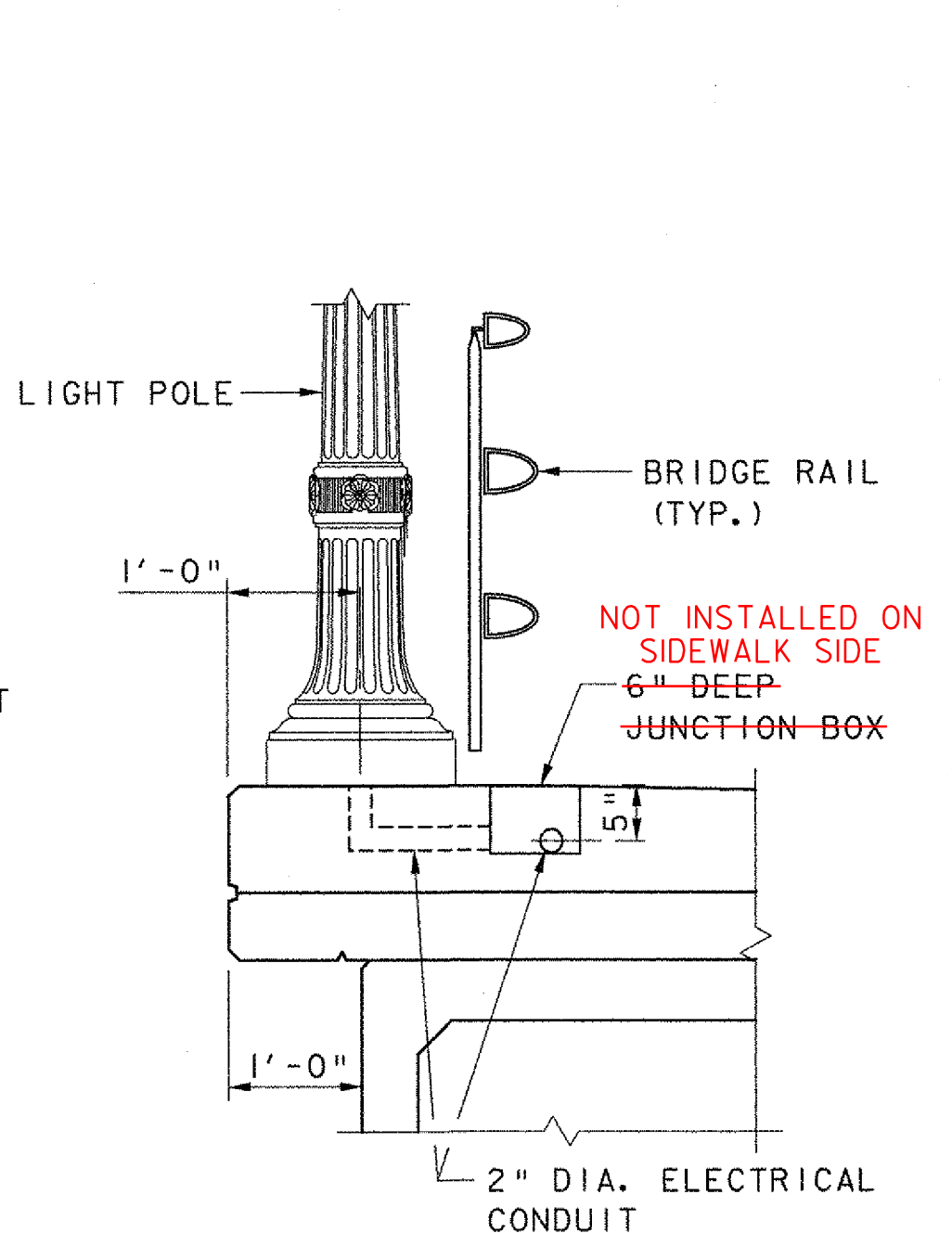


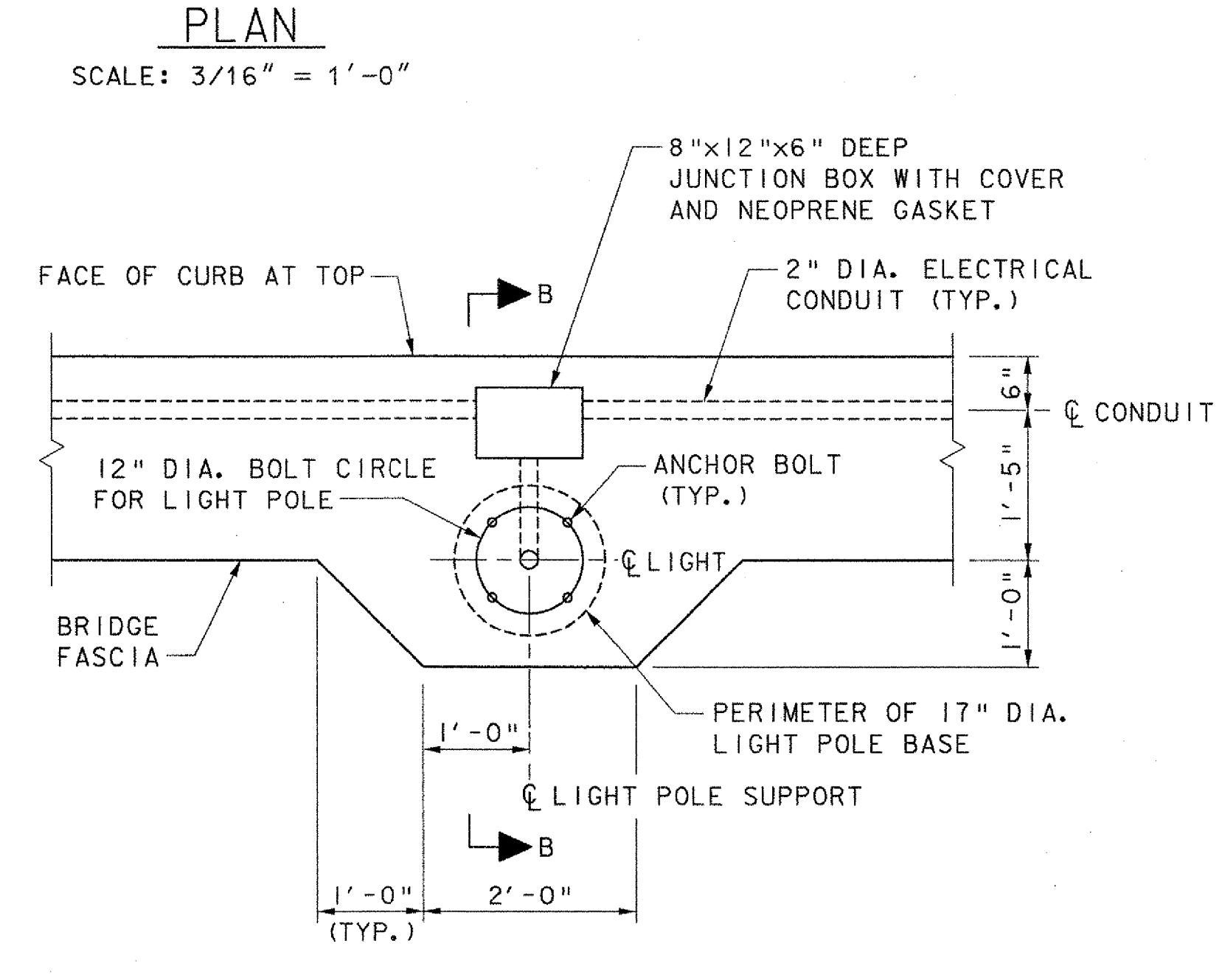
PLAN

SIDEWALK SIDE TYPICAL BRIDGE LIGHT SUPPORT DETAILS

SCALE: 3/4" = 1'-0"



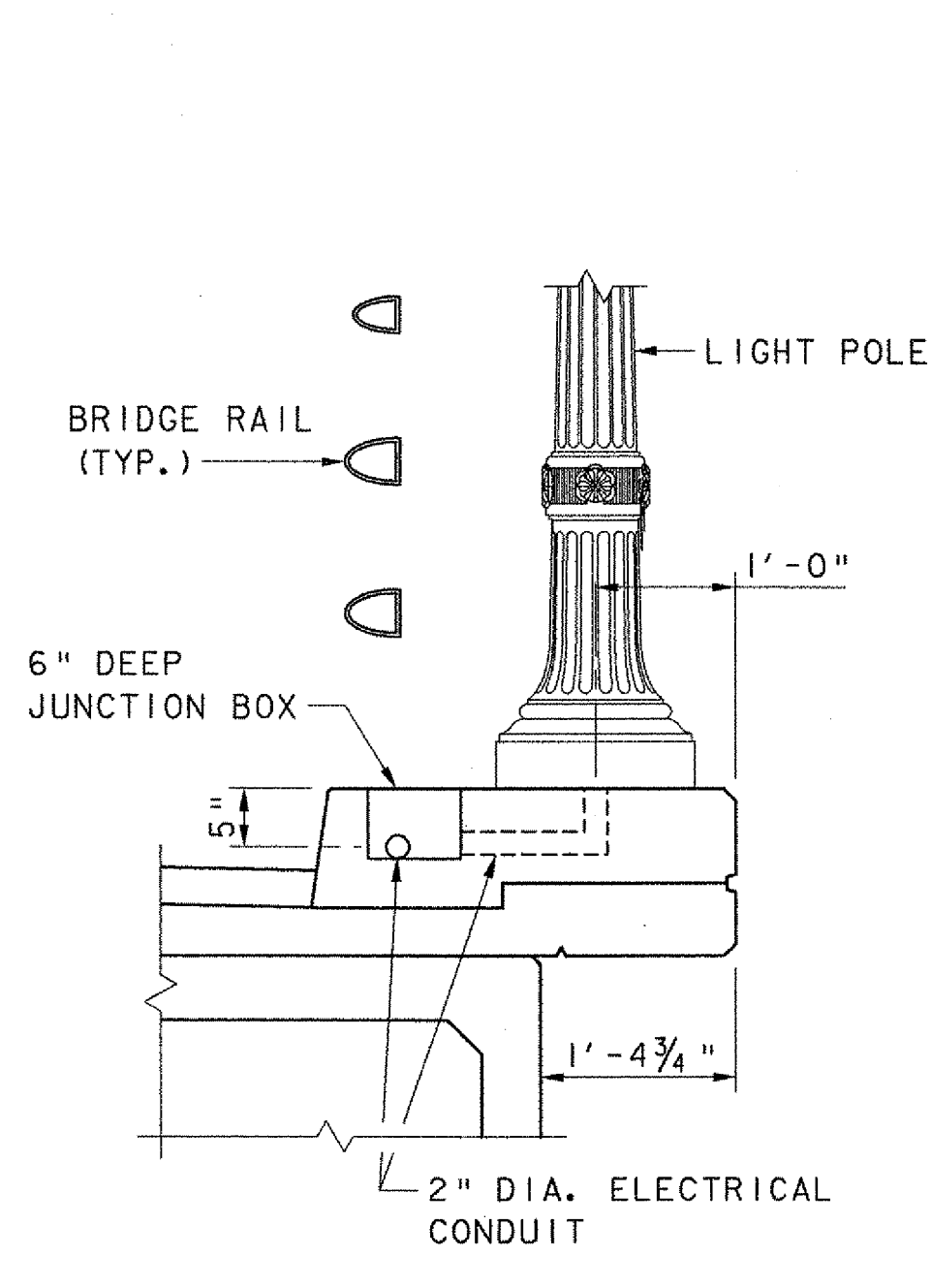
SECTION A-A



PLAN

CURB SIDE TYPICAL BRIDGE LIGHT SUPPORT DETAILS

SCALE: 3/4" = 1'-0"



SECTION B-B

NOTES:

- SEE SHEET 45 FOR LOCATION OF ELECTRICAL CONDUIT BEYOND BRIDGE AND BRIDGE LIGHTING DETAILS.
- RAIL POST AND LIGHT POLE SPACING ON SIDEWALK SIDE IS SAME AS SHOWN FOR CURB SIDE.
- THE CONTRACTOR SHALL BE RESPONSIBLE FOR DETERMINING LIGHT POLE ANCHOR BOLT TYPE, LENGTH, AND SIZE PER MANUFACTURER'S RECOMMENDATIONS. ALL COSTS SHALL BE PAID UNDER 679.45, LIGHT POLE (MOD.).

STATE OF VERMONT
AGENCY OF TRANSPORTATION

Town Of	WOODSTOCK	Bridge No.	50
Highway No.	U. S. ROUTE 4	Log Sta.	
		Surv. Sta.	
U. S. ROUTE 4 OVER OTTAUQUECHEE RIVER			
BRIDGE RAIL AND LIGHTING LAYOUT			
Designed By	K. G. KRETSCH	Drawn By	B. J. MASSE
Checked By	T. S. BRYANT	Date	10/06
		Bridge Design Supervisor	M. A. COLGAN Date 10/06
PROJECT	WOODSTOCK	PROJECT NO.	BHF 020-2 (32)
I.G.C. Info.			
Bridge Sheet No.	ZJ028RL1	Sheet	26 of 71