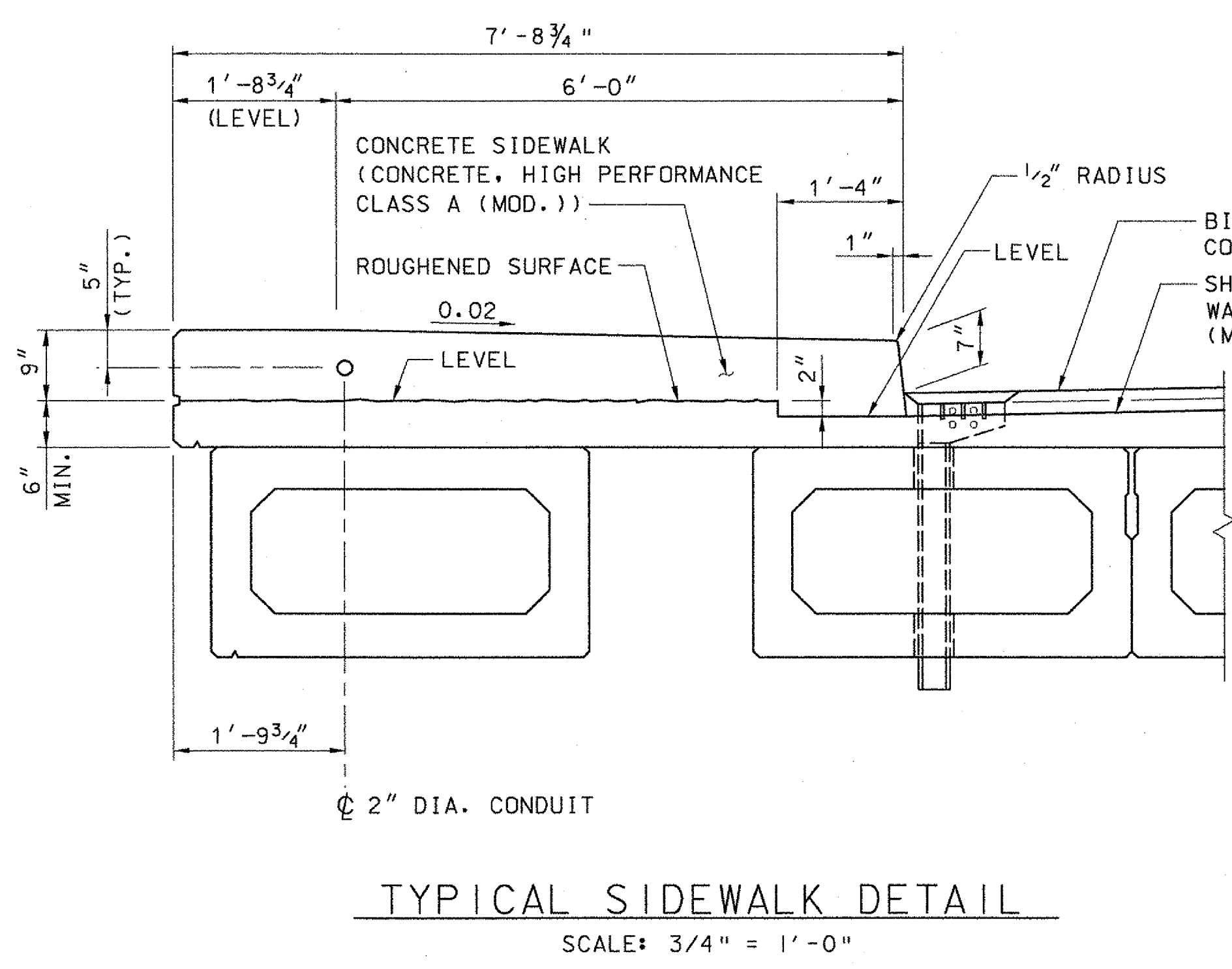


* NOMINAL DIMENSION - MAY VARY BASED UPON FINAL BOX PLACEMENTS

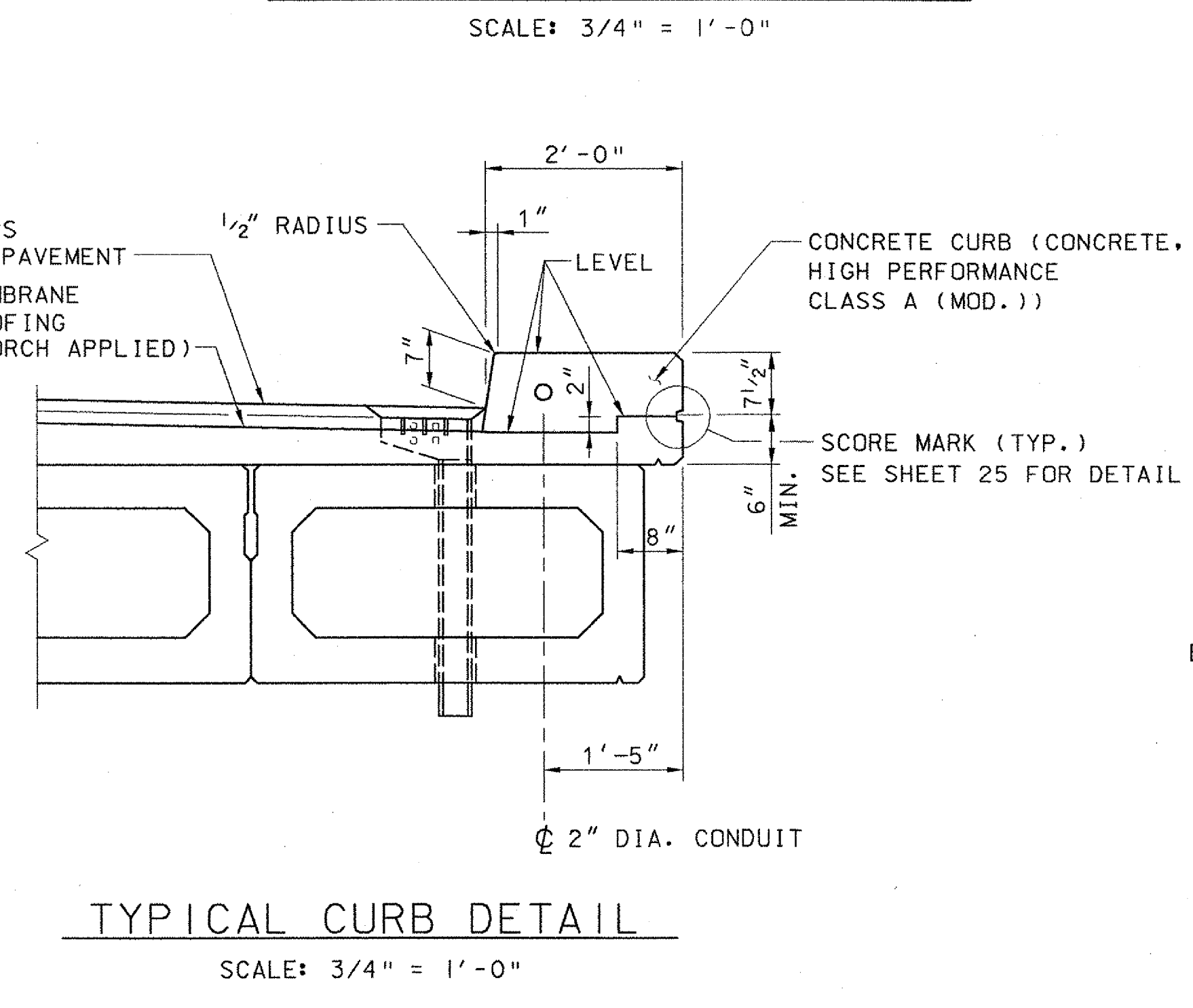
BRIDGE TYPICAL SECTION

SCALE: 3/4" = 1'-0"



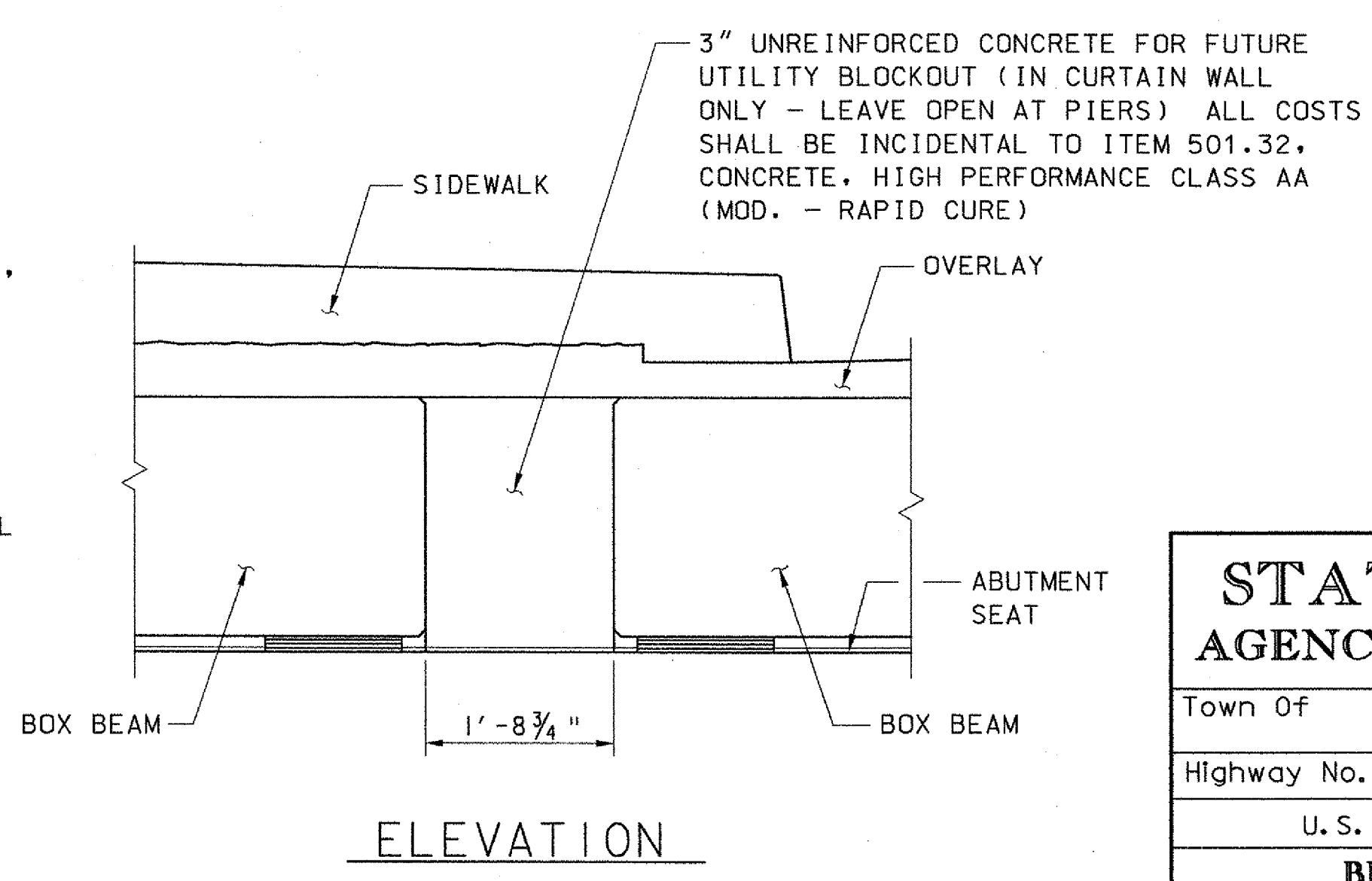
TYPICAL SIDEWALK DETAIL

SCALE: 3/4" = 1'-0"



TYPICAL CURB DETAIL

SCALE: 3/4" = 1'-0"



ELEVATION

FUTURE UTILITY BAY DETAILS

(ABUTMENT 1 SHOWN, PIERS & ABUTMENT 2 SIMILAR)
SCALE: 3/4" = 1'-0"

**STATE OF VERMONT
AGENCY OF TRANSPORTATION**

Town Of	WOODSTOCK	Bridge No.	50
Highway No.	U. S. ROUTE 4	Log Sta.	
		Surv. Sta.	
U. S. ROUTE 4 OVER OTTAUQUECHEE RIVER			
BRIDGE TYPICAL SECTION			
Designed By	K.G. KRETSCHE	Drawn By	B.J. MASSE
Checked By	J.T. KLEIN	Date	10/06
		Bridge Design Supervisor	M.A. COLGAN
PROJECT	WOODSTOCK	Date	10/06
		PROJECT NO.	BHF 020-2 (32)

VHB Vanasse Hangen Brustlin, Inc.