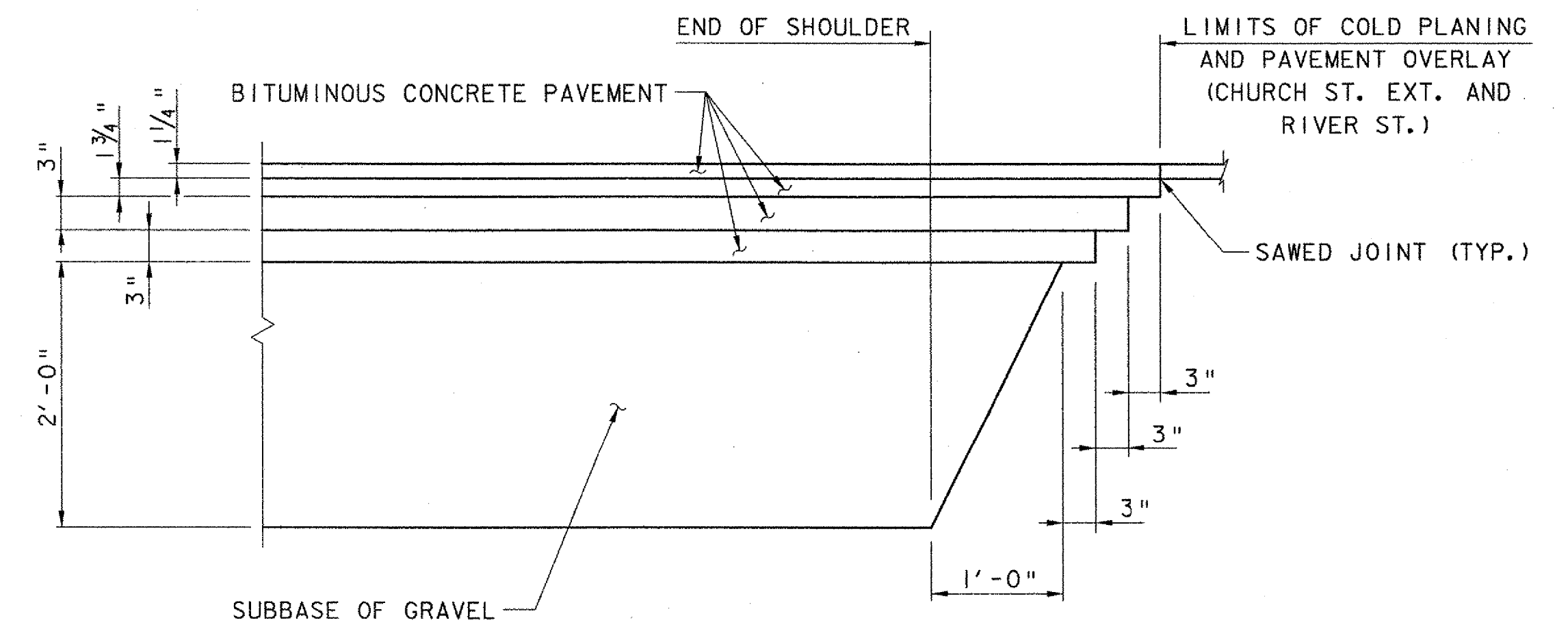
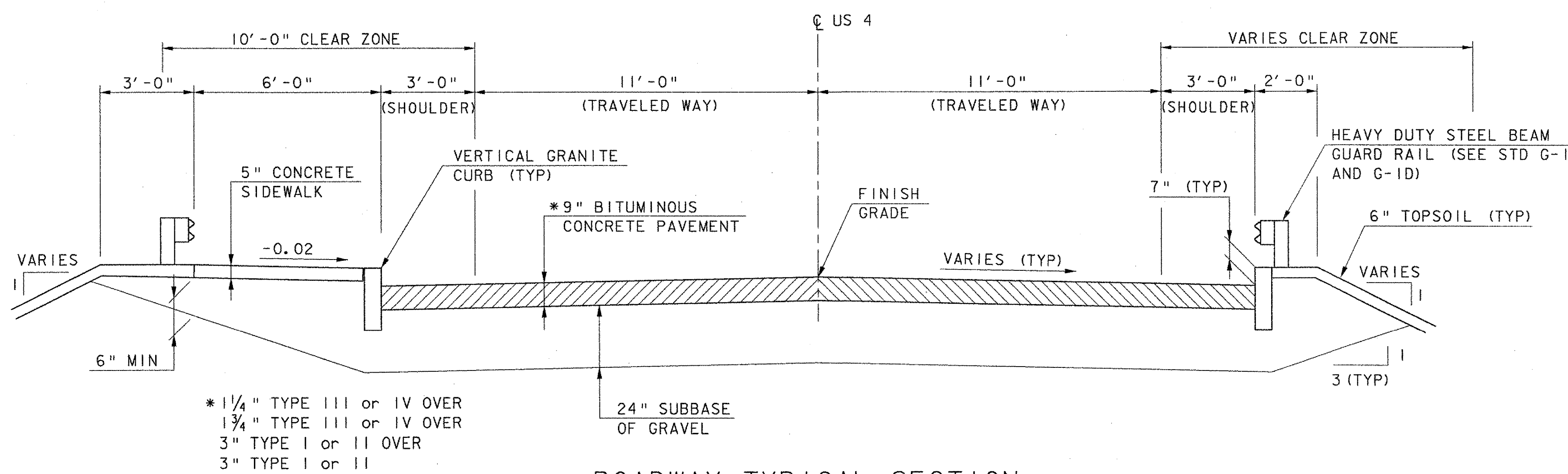


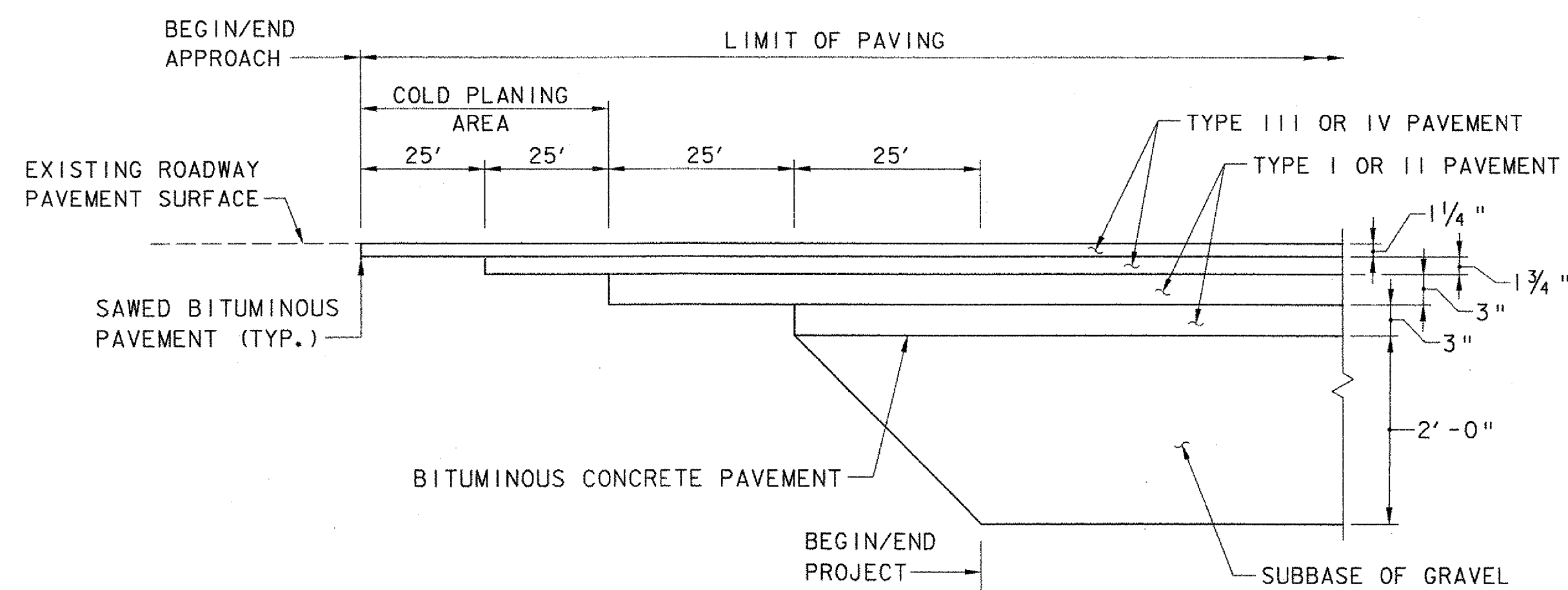
EARTHWORK TYPICAL
 NOT TO SCALE



TRANSVERSE ROADWAY TRANSITION DETAIL
 NOT TO SCALE



ROADWAY TYPICAL SECTION
 SCALE: 3/8" = 1'-0"



MATERIAL TRANSITION DETAIL
 NOT TO SCALE

- NOTES:**
- SEE SHEET 24 FOR BRIDGE TYPICAL SECTION.
 - SEE SHEET 22, CONSTRUCTION NOTE 10 FOR ADDITIONAL STONE FILL INFORMATION.

**STATE OF VERMONT
 AGENCY OF TRANSPORTATION**

Town Of	WOODSTOCK	Bridge No.	50
Highway No.	U. S. ROUTE 4	Log Sta.	
		Surv. Sta.	
U. S. ROUTE 4 OVER OTTAUQUECHEE RIVER			
TYPICAL SECTION & DETAILS			
Designed By	J. T. K. / J. A. M.	Drawn By	B. J. MASSE
Checked By	T. S. BRYANT	Bridge Design Supervisor	M. A. COLGAN
Date	10/06	Date	10/06
PROJECT	WOODSTOCK	PROJECT NO.	BHF 020-2 (32)

DATUM
 VERTICAL NAVD 88
 HORIZONTAL NAD 83 (92)

VHB Vanasse Hangen Brustlin, Inc.

I.G.C. Info.
 Bridge Sheet No. ZJ028TDS Sheet 11 of 71
 VHB NO. 51298 plot date: 10/11/2006