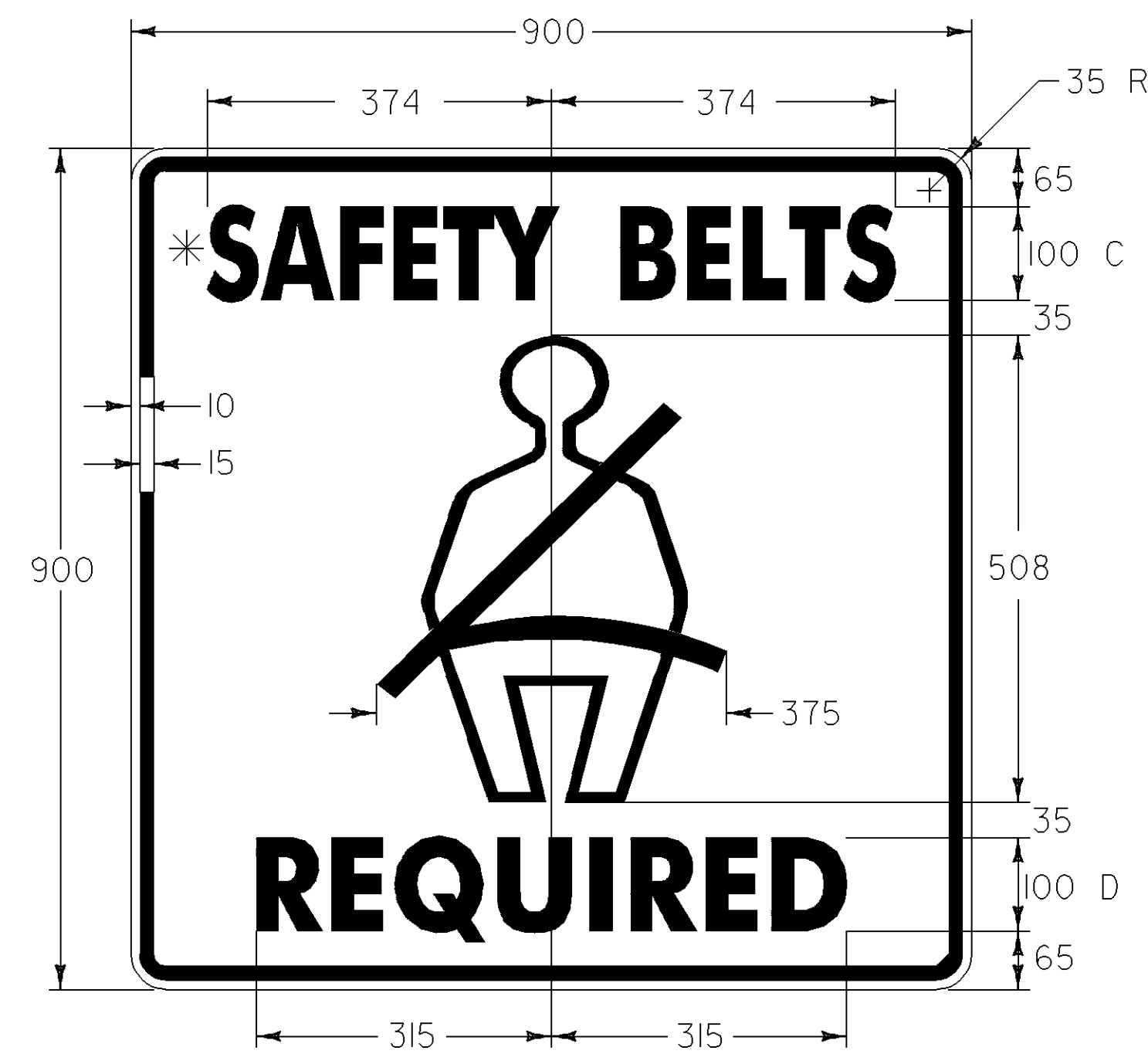
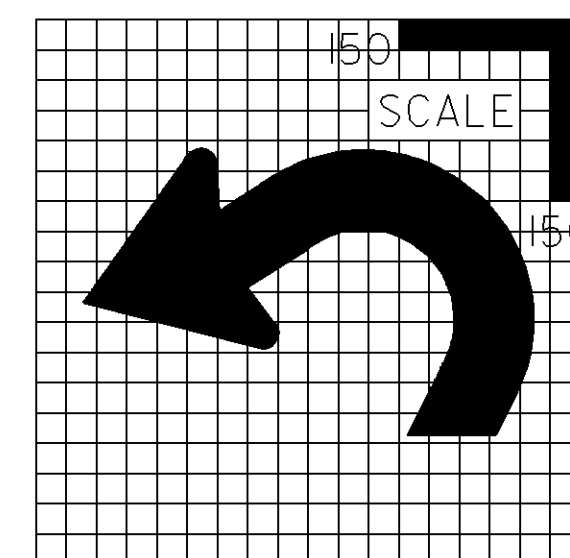
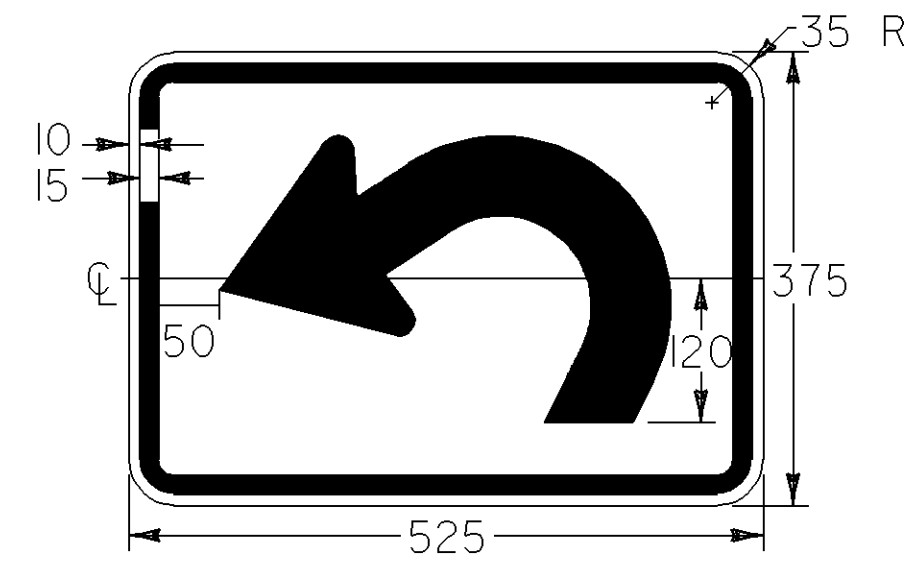




# SIGN DETAIL SHEET

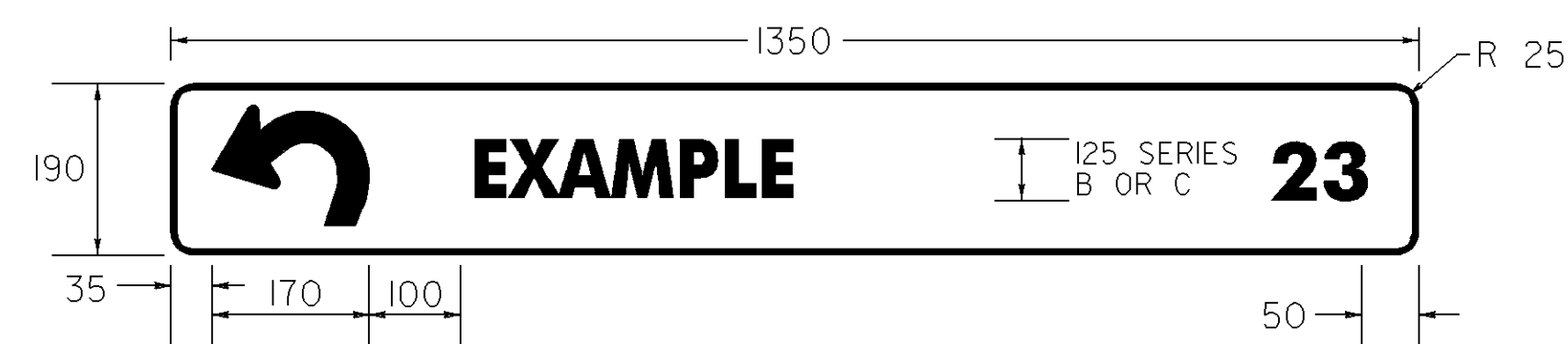
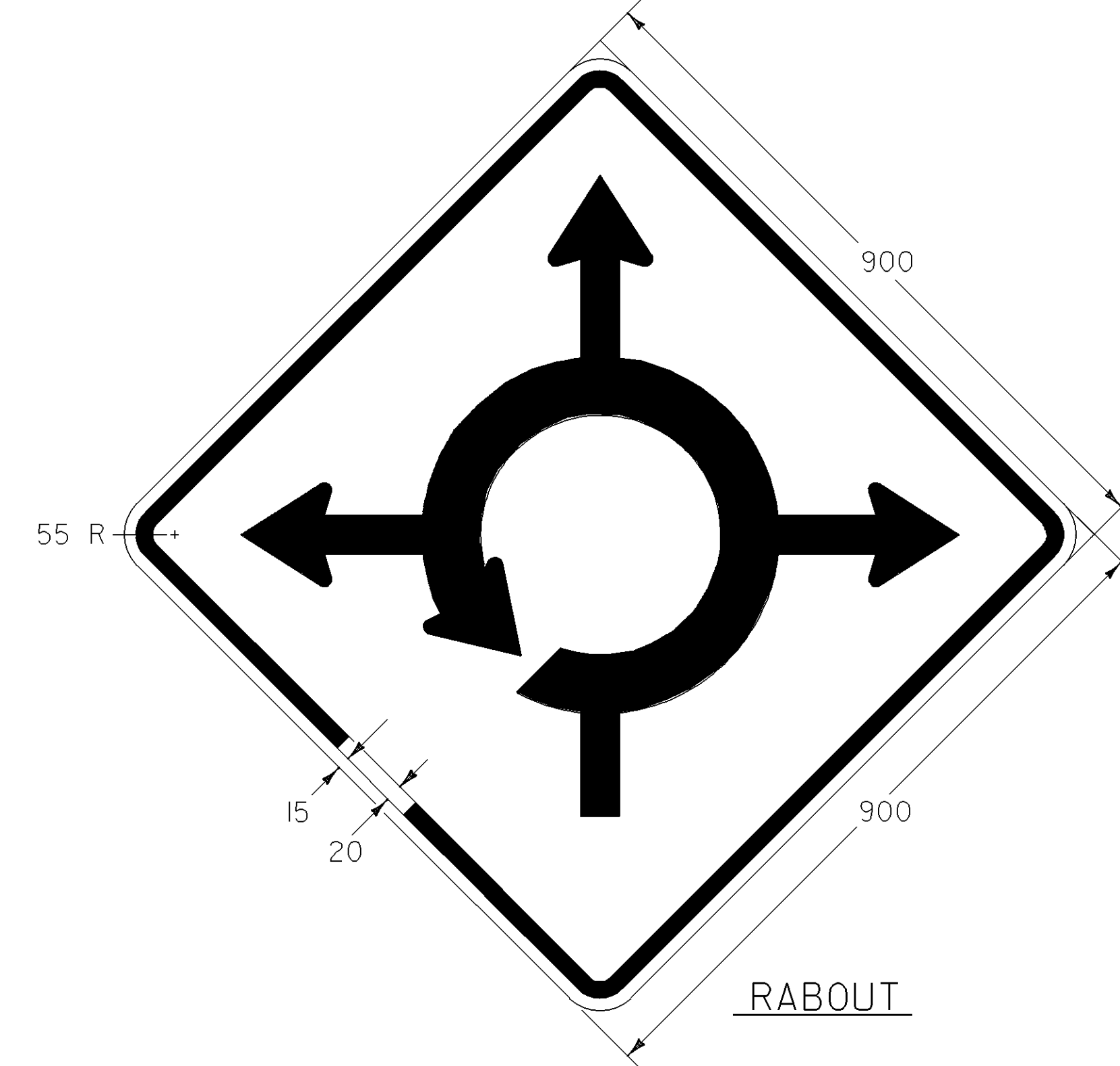


\*NOTE: REFER TO STD. E-140M FOR MATERIALS AND COLORS.

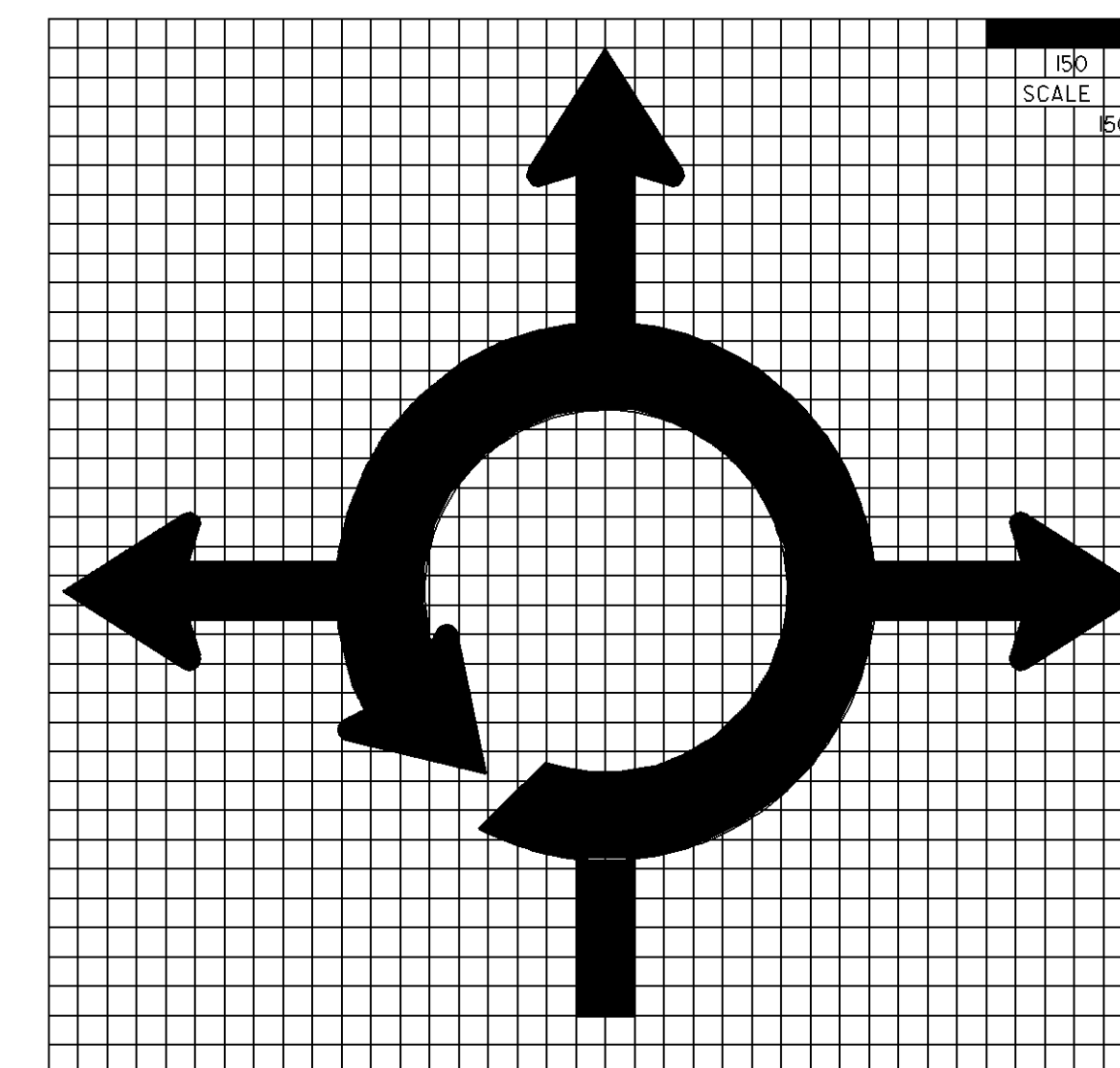
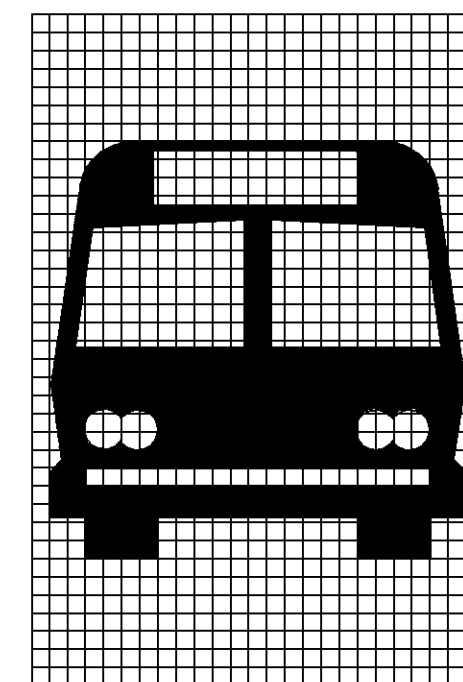
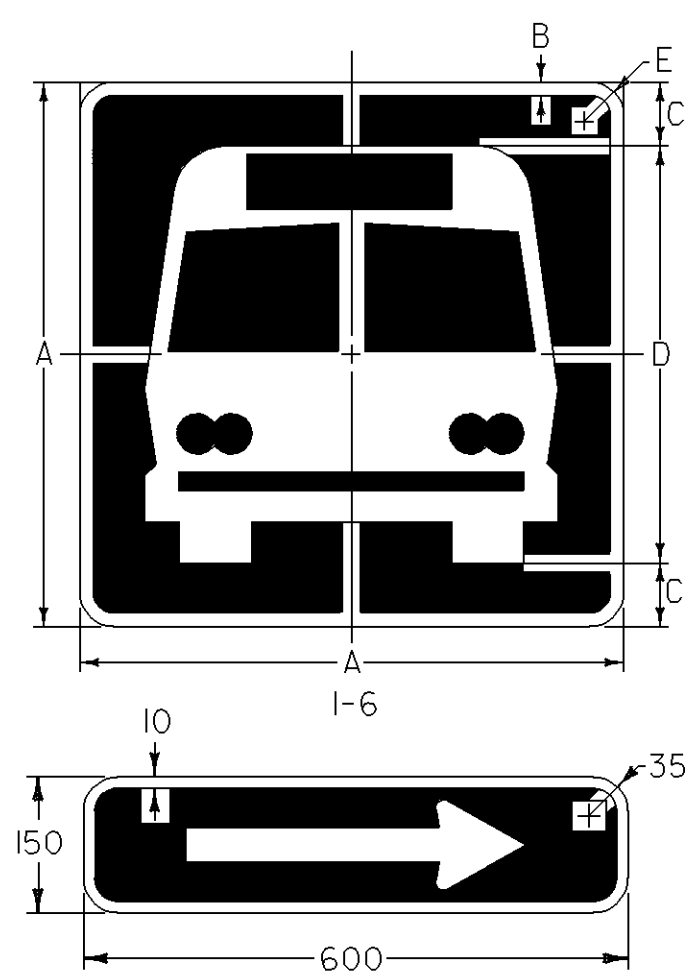


\*NOTE: FOR MATERIALS AND COLORS REFER TO -  
 STD. E-135M FOR STA. 1+043 RT  
 STD. E-136AM FOR STA. 2+086 RT & 2+240 LT  
 STD. E-136BM FOR STA. 1+220 LT

\*NOTE: REFER TO STD. E-150M FOR MATERIALS AND COLORS.



\*NOTE: REFER TO STD. E-123M FOR MATERIALS AND COLORS.



SIGN	DIMENSIONS (mm)				
	A	B	C	D	E
MIN	450	10	35	375	35
STD	600	10	50	508	35
SPEC	750	20	65	635	45

\*NOTE: REFER TO STD. E-131M FOR MATERIALS & COLORS.

NOT TO SCALE

PROJECT: <b>BRATTLEBORO</b>	PROJECT NO.: NH_2000(18)
DESIGN FILE NAME: /sdc/93d/91/dd/91trf.dgn	PLOT DATE: 8-APR-1999
IPARM FILE NAME: dd/91sd.l	SURVEYED BY: SQUAD_C
SQUAD LEADER: MENARD	DRAWN BY: SQUAD_C
	SHEET: 47 OF 67

\*NOTE: ALL DIMENSIONS ARE IN (mm)

DATUM	
VERTICAL	_____
HORIZONTAL	_____