



# GPS CONTROL POINTS

## ROARK

N = 43069.442  
E = 495505.996

GENERAL LOCATION - BRATTLEBORO, 32 MI(51.5 KM) WEST OF BENNINGTON,  
27 MI(43.5 KM) SOUTH OF SPRINGFIELD.

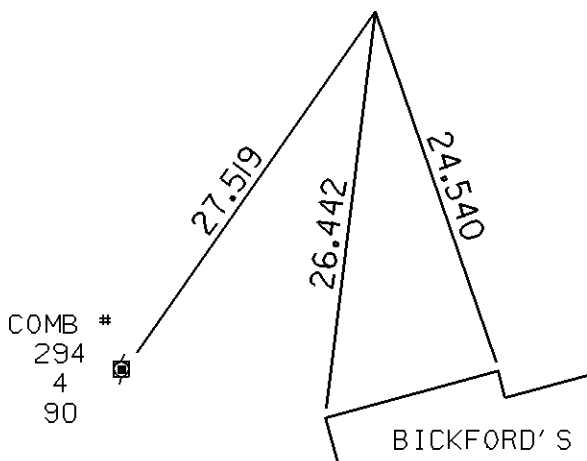
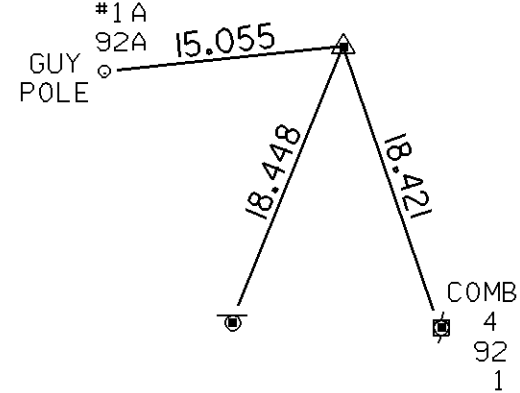
TO REACH FROM THE JUNCTION OF US ROUTE 9 EAST AND VT ROUTE 5  
NORTH, PROCEED NORTH ON ROUTE 5 FOR 0.2 MI(0.3 KM) TO THE MARK  
ON THE LEFT AND WEST.

THE MARK IS A STATE OF VERMONT SURVEY DISK SET INTO THE TOP  
OF A CONCRETE MONUMENT.

THE MARK IS LOCATED 24.0 M (78.7 FT) SOUTH OF A PAVED DRIVE LEADING  
TO MOTEL 6, 19.2 M (63.0 FT) NORTHEAST OF A GROUP OF 0.1M (0.3 FT)  
LOCUST TREES, 15.6 M (51.2 FT) SOUTHEAST OF A 0.3 M (1.0 FT) MAPLE TREE,  
AND 8.6 M (28.2 FT) WEST OF THE CENTERLINE OF ROUTE 5.

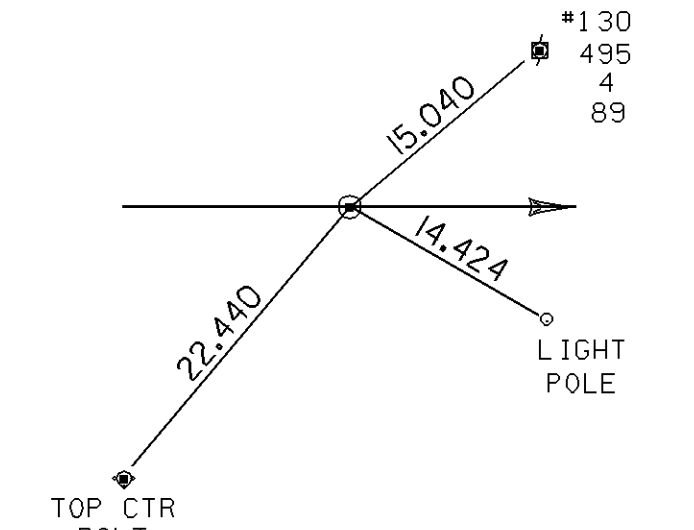
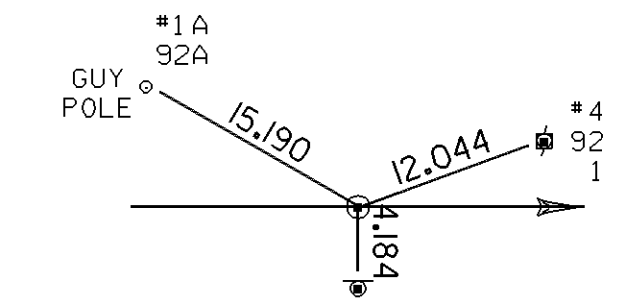
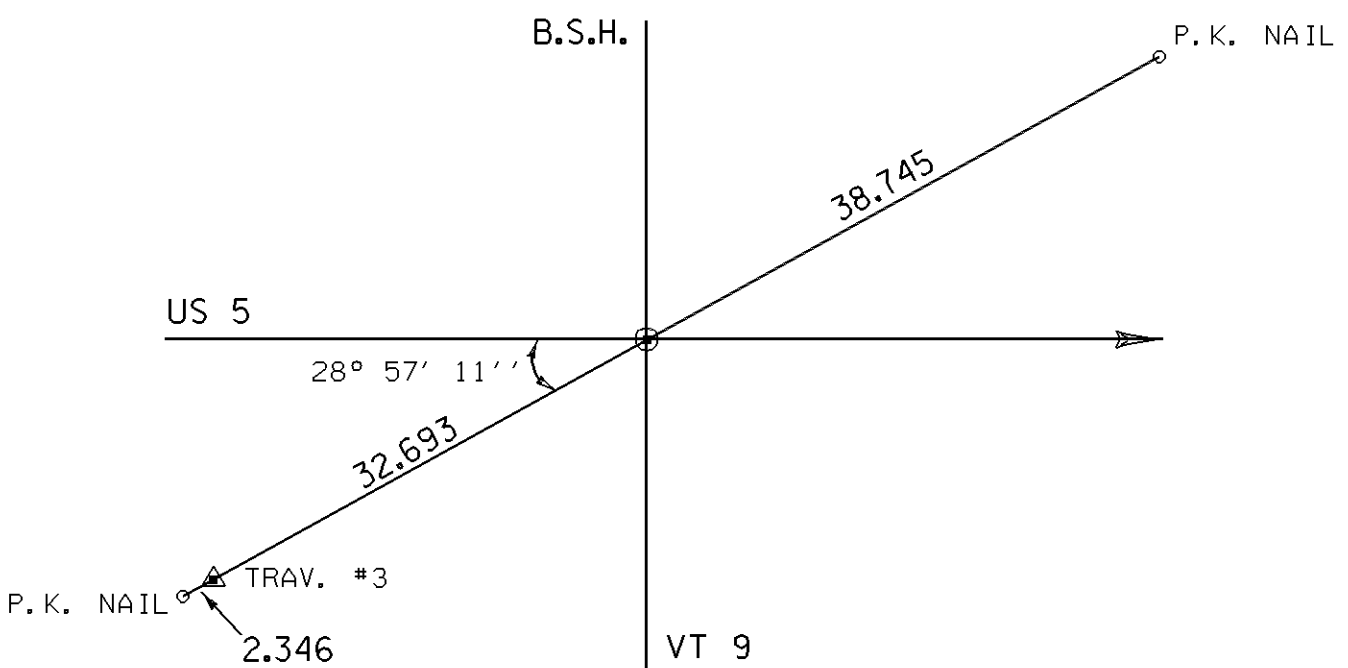
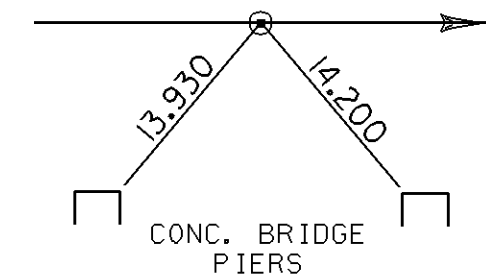
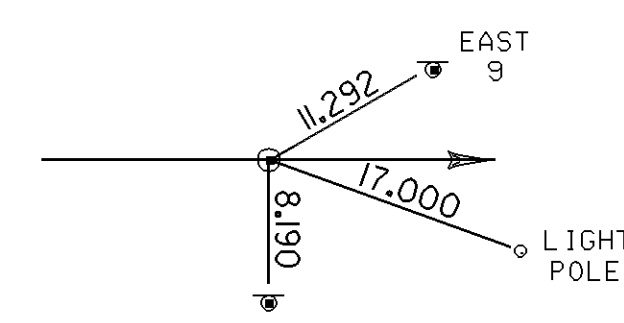
# TRAVERSE TIES

TRAV. #3	TRAV. #4
N = 42728.753	N = 42871.851
E = 495365.930	E = 495427.943
Z = 86.288	Z = 88.144

# ALIGNMENT TIES

US 5 POT I+000.000	US 5 POT I+242.205	POT US 5 I+130.000 = VT 9 2+140.000	B.S.H. POT I+950.000	VT 9 POT 2+251.451
N = 42648.903	N = 42858.572	N = 42761.440	N = 42856.393	N = 42705.741
E = 495301.469	E = 495422.721	E = 495366.550	E = 495201.978	E = 495463.084

TIES NOT TO SCALE

DATUM	
VERTICAL	NAVD 88
HORIZONTAL	NAD 83(92)

PROJECT: BRATTLEBORO	PROJECT NO. : NH 2000(18)
DESIGN FILE NAME: /sqdc/93dl9l/ddl9lfrm.dgn	PLOT DATE: 8-APR-1999
IPARM FILE NAME: ddl9l+le.l	SURVEY DATE:
SURVEYED BY:	DRAWN BY: B. MCAVOY
SQUAD LEADER: S. MENARD	SHEET: 20 OF 67