

TYPICAL SECTIONS

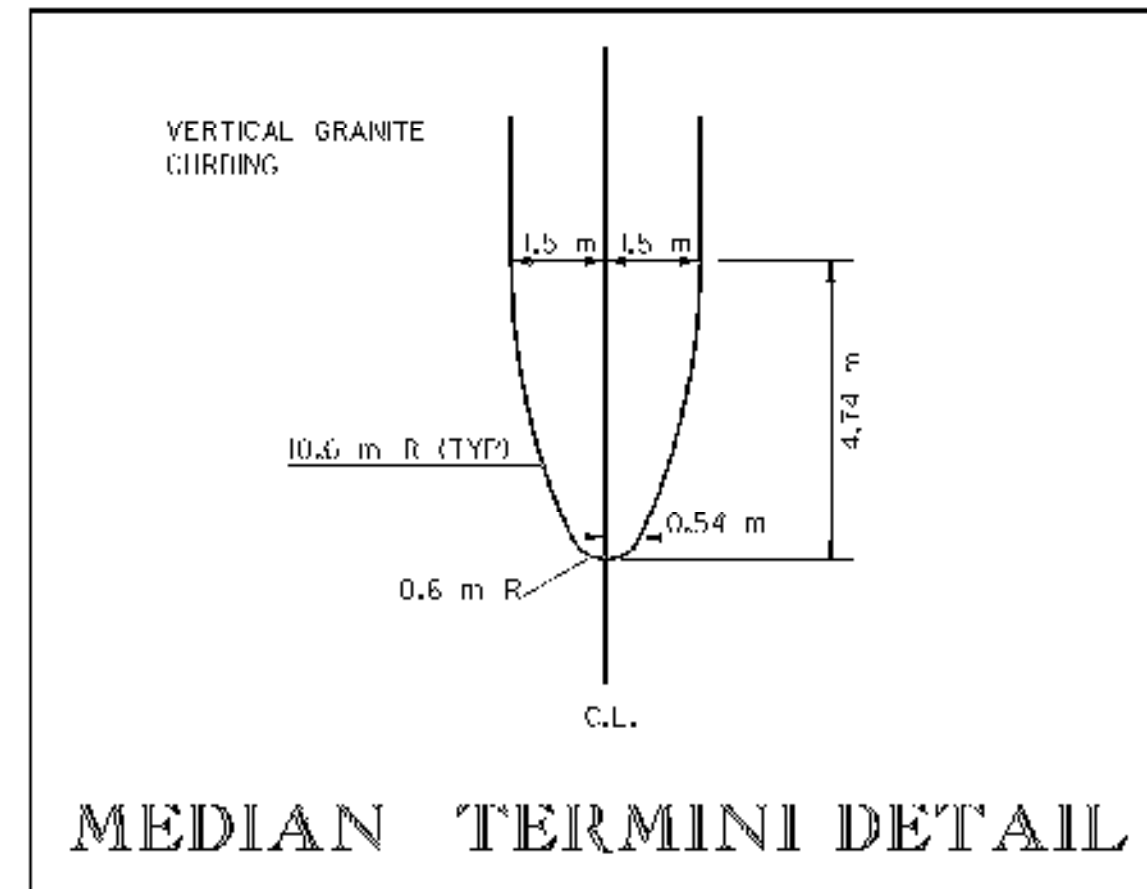
(ALL DRAWINGS NOT TO SCALE)

SEEDING FORMULA URBAN AREAS

% WT.	kg/ha	NAME	PUR %	GERM %
42.5	38.0	CRLLIPING HLD 1LSCUL	98	85
10.0	9.0	PERENNIAL RYE GRASS	95	90
42.5	38.0	KENTUCKY BLUE GRASS	85	85
5.0	5.0	ANNUAL RYE GRASS	95	85
100.0	90.0			

GENERAL NOTES

- SEED MIXTURE: SHALL NOT HAVE A WEED CONTENT EXCEEDING 0.40% BY WEIGHT AND SHALL BE FREE OF ALL NOXIOUS SEED.
- SEED: TO BE APPLIED PER SEEDING FORMULAS OR AS DIRECTED BY THE ENGINEER.
- FERTILIZER: FORMULA 10-20-10, TO BE USED WITH SEED, APPLIED AT THE RATE OF 560 kg/ha. (HYDRO SEEDERS MAY USE 10-10-10 FORMULA).
- AGRICULTURAL LIMESTONE: TO BE APPLIED AT THE RATE OF 4500 kg/ha, OR AS DIRECTED BY THE ENGINEER.
- HAY MULCH: TO BE PLACED ON EARTH SLOPES AT THE RATE OF 4500 kg/ha, OR AS DIRECTED BY THE ENGINEER.
- TOPSOIL: TO BE USED WITH SEED AS INDICATED ON THE PLANS, OR AS DIRECTED BY THE ENGINEER.
- MARKER POSTS: TO BE PLACED AS INDICATED OR AS DIRECTED BY THE ENGINEER.
- SLOPE ROUNDING: ALL CUT SLOPES TO BE ROUNDED IN ACCORDANCE WITH STANDARD SHEET B-5M.
- PAY LIMITS OF SAND BORROW: WHEN USED IN CONJUNCTION WITH UNDERDRAIN - SEE STANDARD SHEET D-2M.
- TACK COAT: EMULSIFIED ASPHALT IS TO BE APPLIED AT THE RATE OF 0.0675 L/m² BETWEEN SUCCESSIVE COURSES OF PAVEMENT AS DIRECTED BY THE ENGINEER.

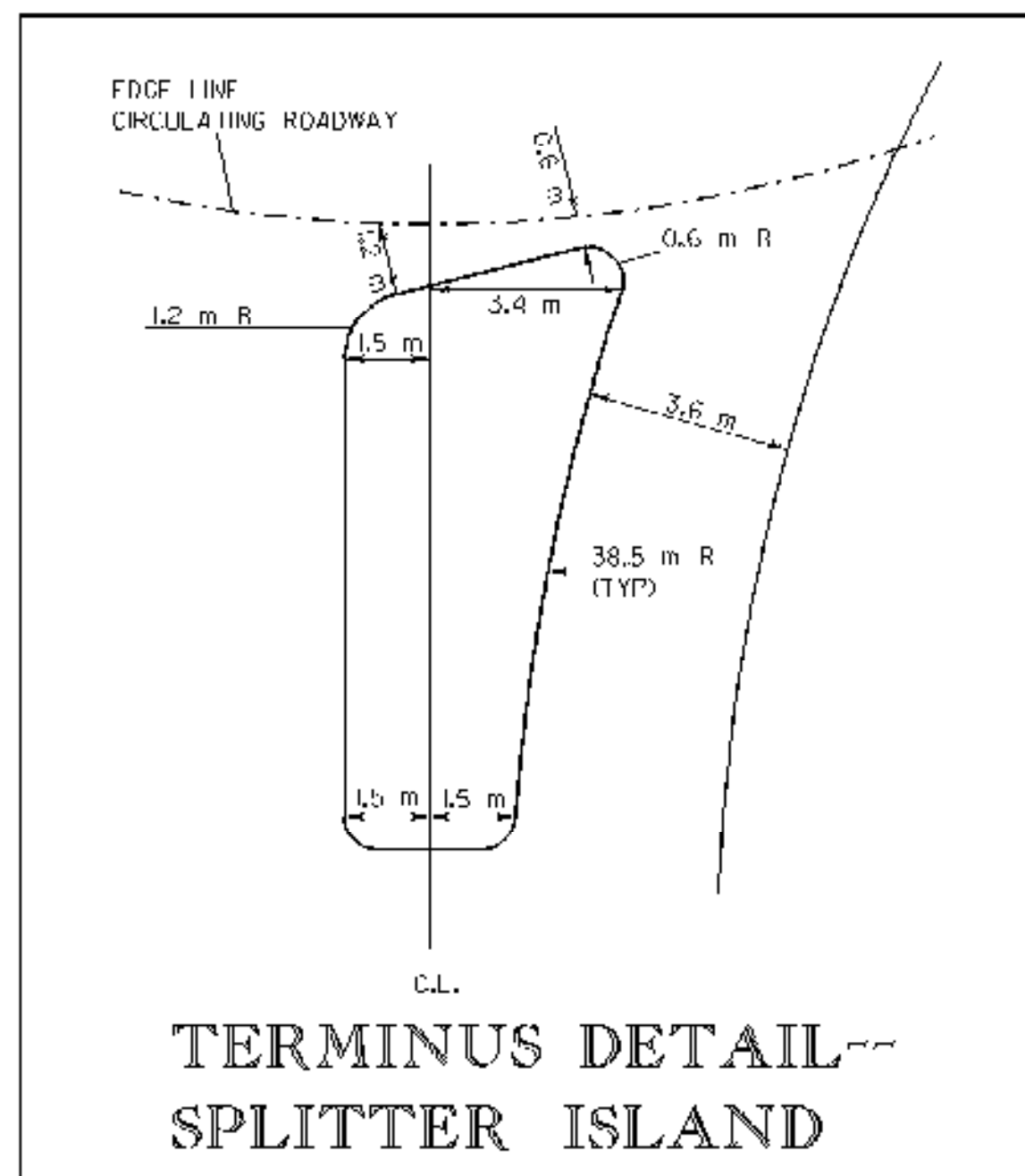
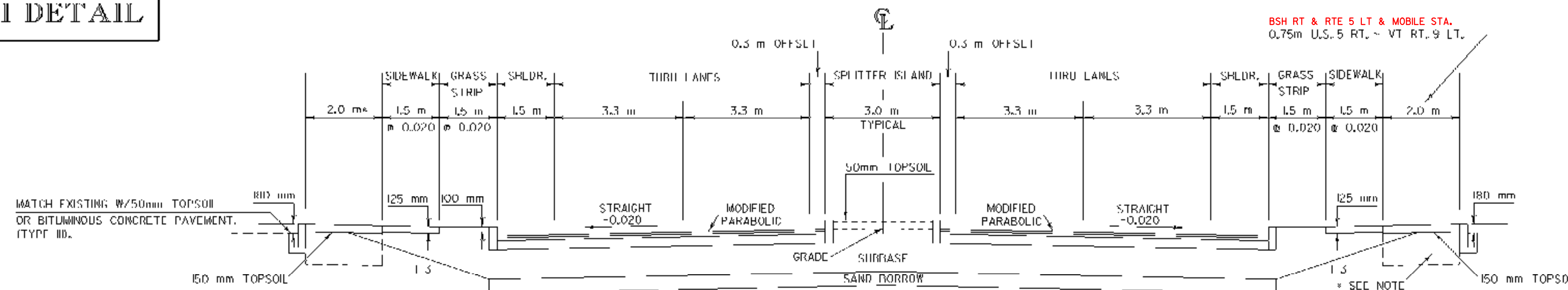


MATERIAL	ALL LEGS AND CIRCULATING ROADWAY
BITUMINOUS CONCRETE PAVEMENT (TYPE III)	50 mm
BITUMINOUS CONCRETE PAVEMENT (TYPE II)	75 mm
BITUMINOUS CONCRETE PAVEMENT (TYPE I)	150 mm (2-15mm LIFES)
SUBBASE OF DENSE GRADED CRUSHED STONE	600 mm
SAND BORROW	250 mm

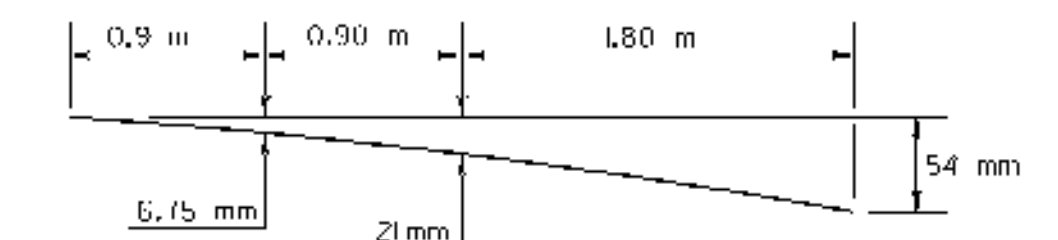
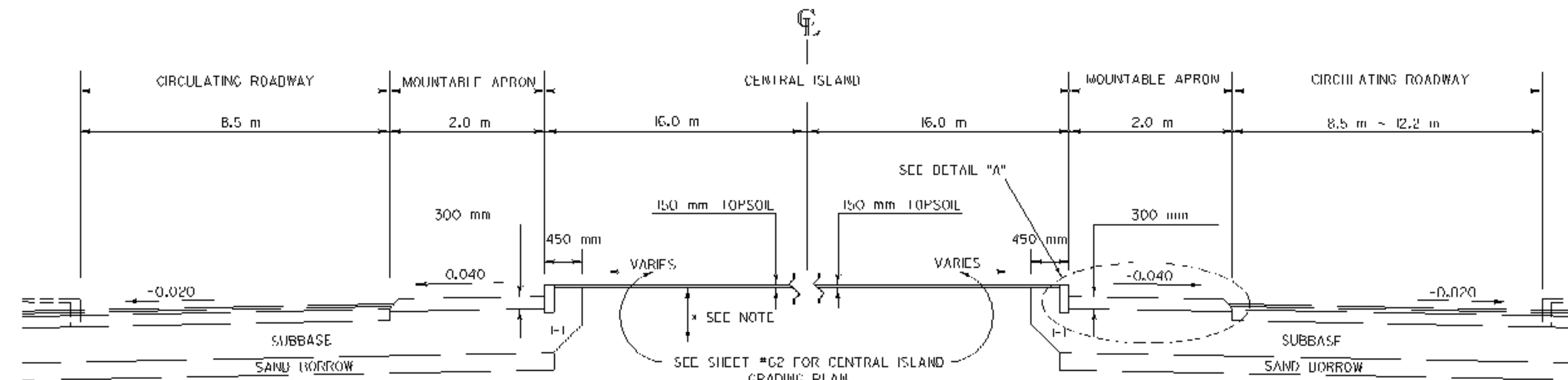
ASPHALT BINDER TO BE PG 70-28

THICKNESS TOLERANCES

PAVEMENT (TOTAL DEPTH) - 5 mm
SUBBASE - 30 mm
SAND BORROW - 30 mm

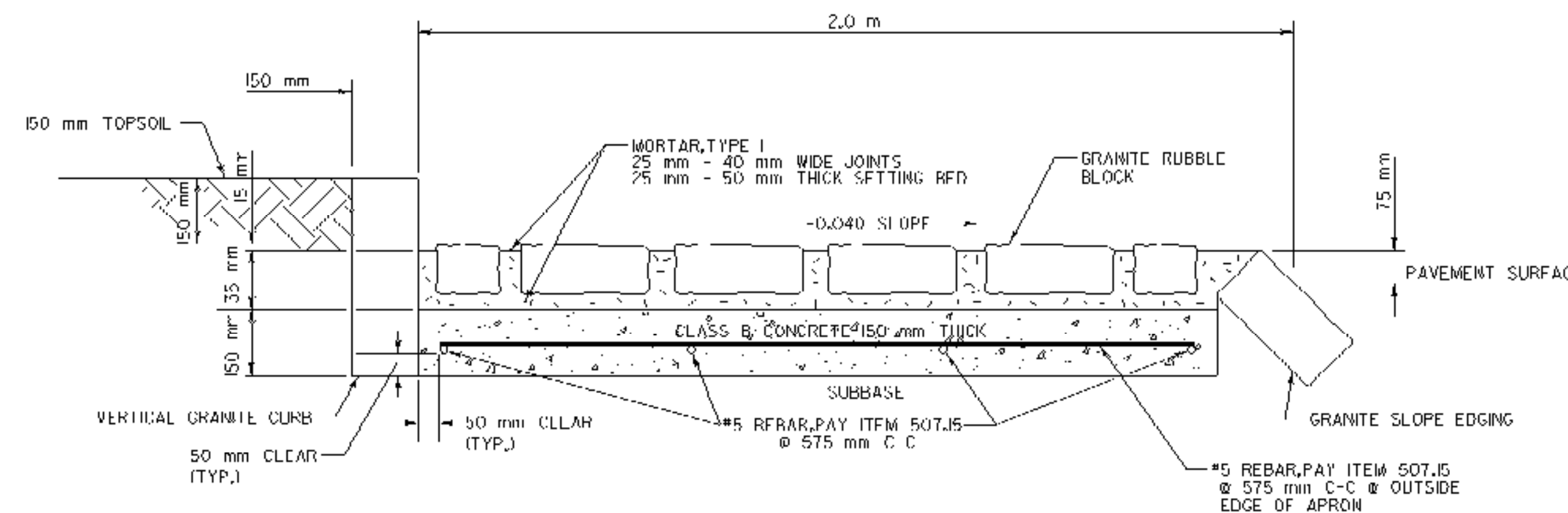
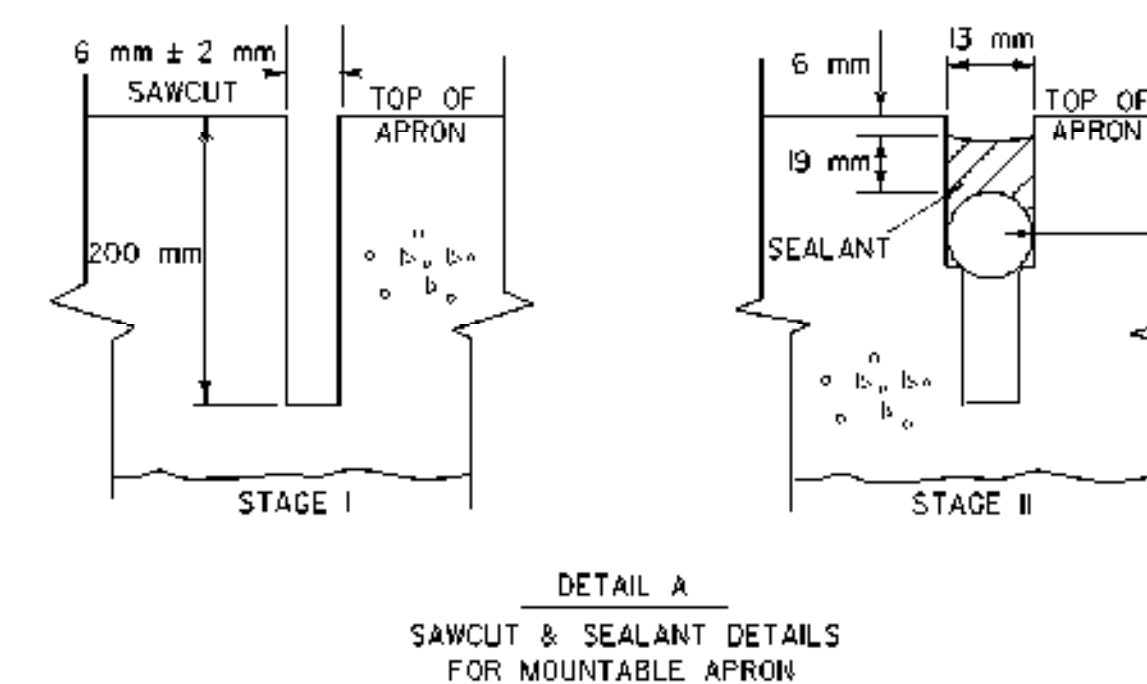


*1.4 m U.S. 5 LT ~ B.S.H. RT

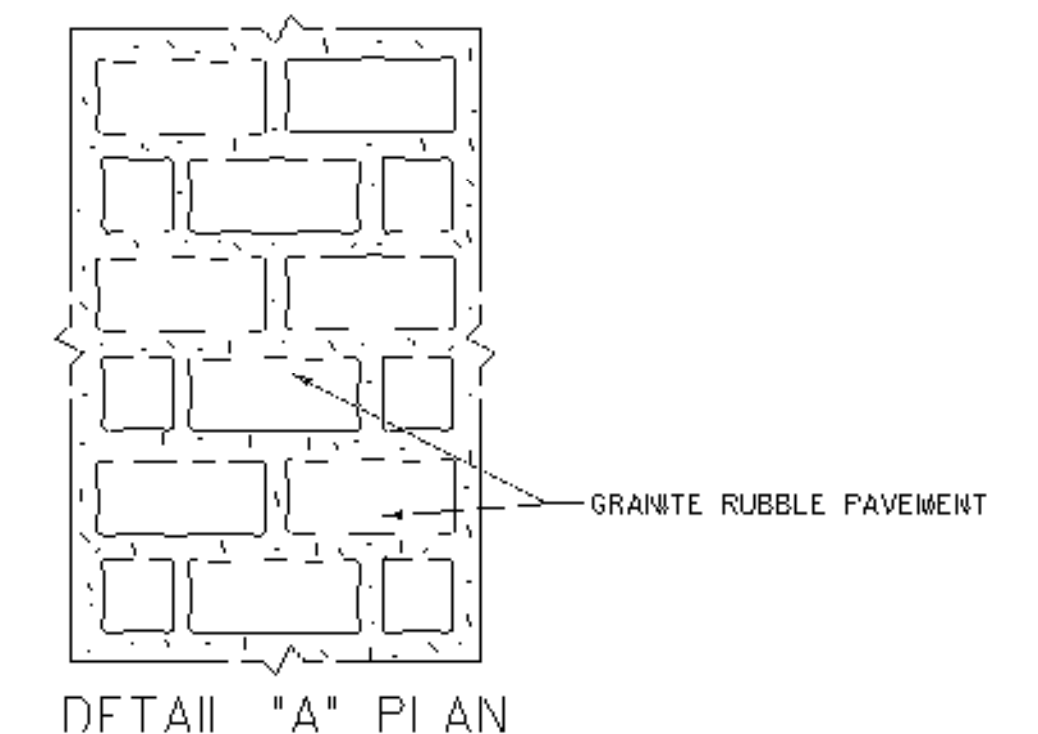


MODIFIED PARABOLIC DETAIL

- NOTE: ALL EXISTING PAVEMENT AND SUBBASE WITHIN 1m OF EXISTING GRADE WITHIN CENTRAL ISLAND & THREE INTERSECTION RADII WHERE TREES ARE TO BE PLANTED, SHALL BE REMOVED AND REPLACED WITH EARTH BORROW COVERED WITH 150 mm OF TOPSOIL.



DETAIL OF GRANITE RUBBLE PAVEMENT



- NOTES:
 - LAY BLOCKS TRANSVERSE TO DIRECTION OF TRAVEL.
 - GRANITE RUBBLE BLOCKS SHALL BE 100 mm x 300 mm IN LENGTH AND 90 mm x 15 mm IN WIDTH AND DEPTH.
 - ALL WORK TO CONSTRUCT GRANITE RUBBLE PAVT. APRON UPON CONCRETE CLASS B BASE WILL BE PAID UNDER ITEM 618.20 - BRCK PAVING (MOD.).
 - APRON SHALL BE SAWCUT & SEALED FOR FULL WIDTH AS PER DETAIL @ 45° INTERVALS AROUND CIRCLE. PAYMENT TO BE MADE UNDER ITEM 524J5 (MOD.).

DATUM
VERTICAL NAVD88
HORIZONTAL NAD83(92)

**ARCHIVED
IN DPR**

PROJECT:	BRATTLEBORO	PROJECT NO.:	NH 2000(18)
DESIGN FILE NAME:	sqdc/93dl9l/ddl9lxs1.dgn	PLOT DATE:	8-APR-1999
IPARM FILE NAME:	ddl9ltp1	SURVEY DATE:	10/95
SURVEYED BY:	R. GILMAN	DRAWN BY:	K. LIPMAI
SQUAD LEADER:	S. MENARD	SHEET:	3 OF 67
REVISED:	3-10-97		