

METRIC

1. ALL DIMENSIONS ARE IN MILLIMETERS UNLESS OTHERWISE NOTED.  
2. ALL WEIGHTS ARE IN KILOGRAMS.

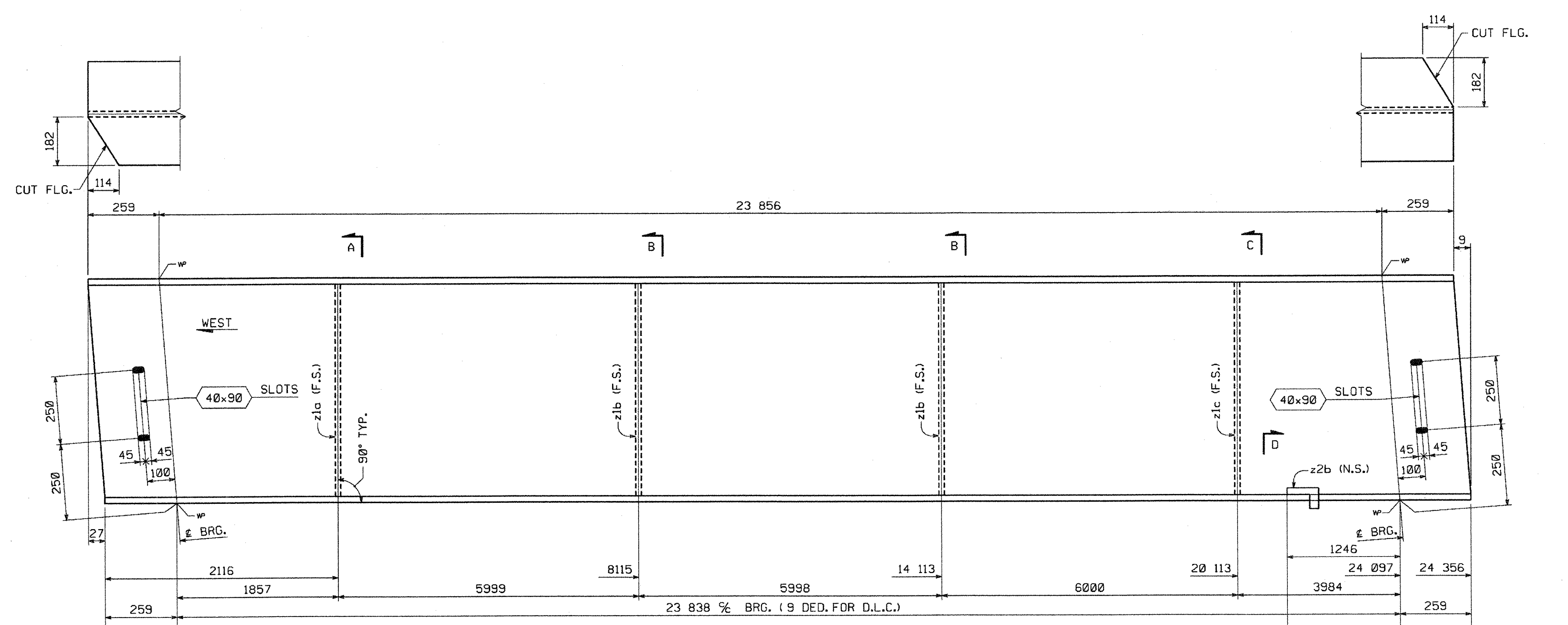
FED. ROAD DIV. NO.	STATE	FED. AID PROJ. NO.
	VT	

BILL OF MATERIAL

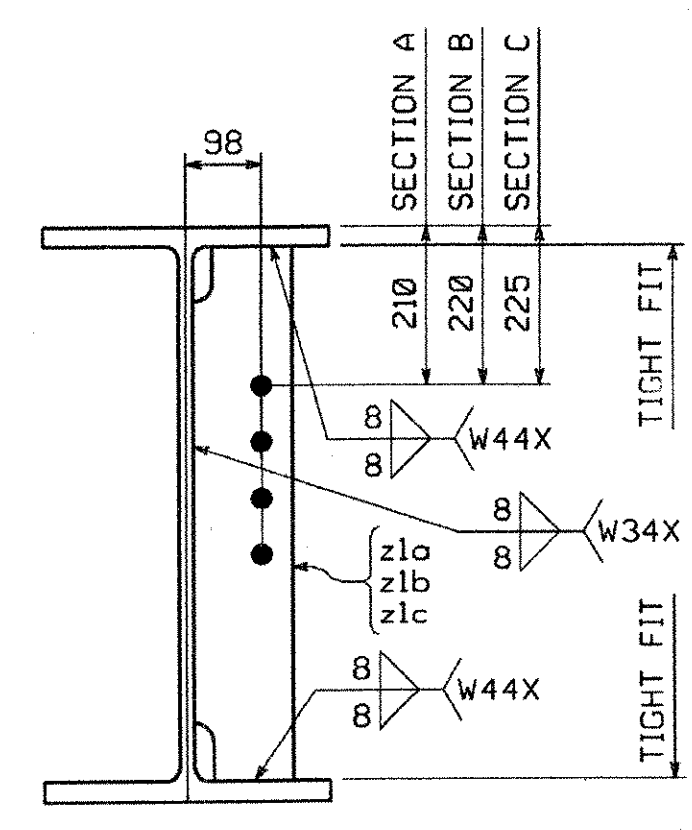
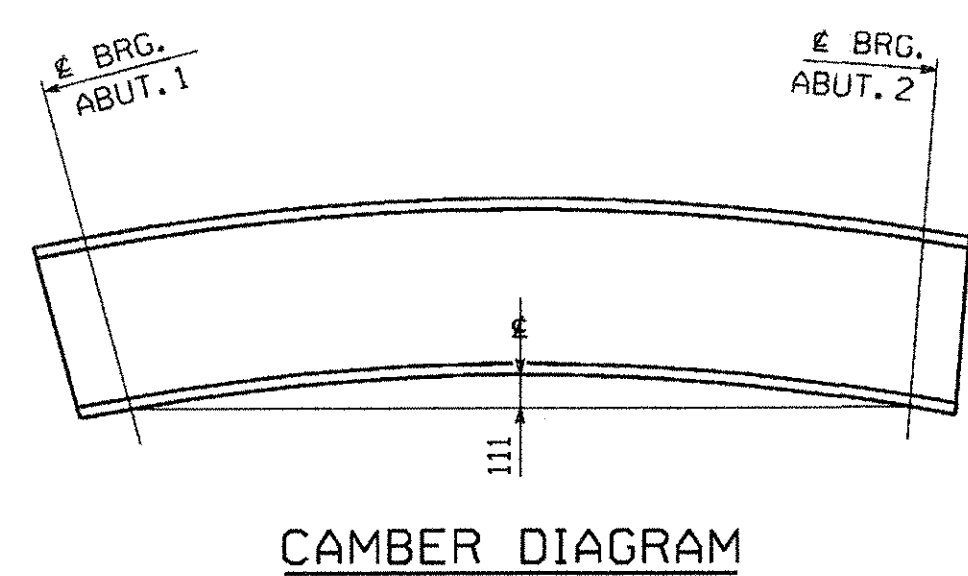
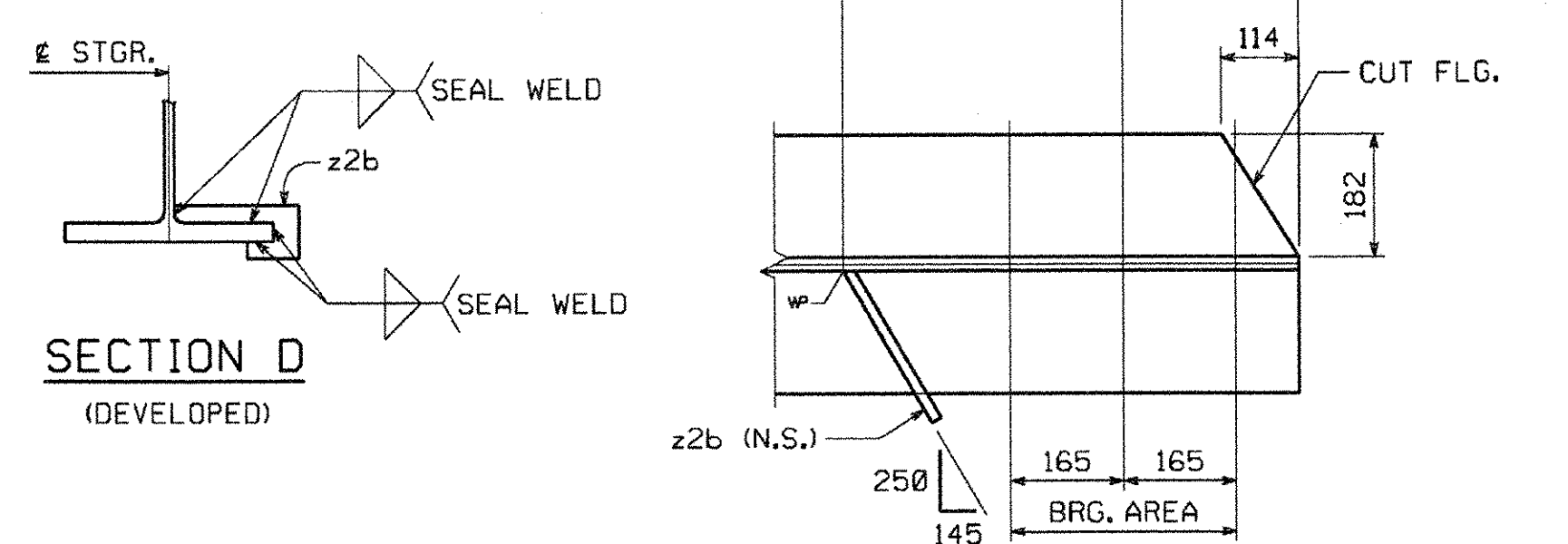
QTY EA	MARK	COMMODITY	DESCRIPTION	LENGTH	SPEC	GRADE	TEST	REMARKS	GRP	ITEM	SHIP WEIGHT EA
1	S6A		STRINGER								6314.10
1		W	760 x 257	24 383	M270M	345W	T	(W30 x 173)	5	1	6266.43
1	z1a	PL	15.9 x 130	719	M270M	345W			8	1	11.67
2	z1b	PL	15.9 x 130	719	M270M	345W			8	1	23.33
1	z1c	PL	15.9 x 130	719	M270M	345W			8	1	11.67
1	z2b	PL	6.4 x 77	260	M270M	345W			8	2	1.01

TOTAL WEIGHT THIS SHEET: 6314.10 kg

TOTAL WEIGHT FOR BID ITEM #506.55: 39663.87 kg



STRINGER ~ MK. S6A



**SHOP DRAWING REVIEW**

REVIEWED AS REQUIRED BY THE CONSTRUCTION CONTRACT DOCUMENTS AND APPROVED, BUT ONLY FOR CONFORMANCE TO THE DESIGN CONCEPT OF THE WORK, AND SUBJECT TO FURTHER LIMITATIONS AND REQUIREMENTS CONTAINED IN THE CONSTRUCTION CONTRACT DOCUMENTS.

REJECTED  REVISE AND RESUBMIT  FURNISH AS CORRECTED

CORRECTIONS OR COMMENTS MADE ON THE SHOP DRAWINGS DURING THIS REVIEW DO NOT RELIEVE CONTRACTOR FROM COMPLIANCE WITH REQUIREMENTS OF THE DRAWINGS AND SPECIFICATIONS. THIS CHECK IS ONLY FOR REVIEW OF GENERAL CONFORMANCE WITH THE DESIGN CONCEPT OF THE PROJECT AND GENERAL COMPLIANCE WITH THE INFORMATION GIVEN IN THE CONTRACT DOCUMENTS. THE CONTRACTOR IS RESPONSIBLE FOR: CONFIRMING AND CORRELATING ALL QUANTITIES AND DIMENSIONS; SELECTING FABRICATION PROCESSES AND TECHNIQUES OF CONSTRUCTION; COORDINATING HIS WORK WITH THAT OF ALL OTHER TRADES; AND PERFORMING HIS WORK IN A SAFE AND SATISFACTORY MANNER.

VHB  
Vermont Hanger Brackets, Inc.  
Engineers, Fabricators, and Scientists  
50 Bedford Farms, Milton Rd.  
Storford, NH 03110 603 944 0866

Job Number: 60345  
Reviewed By: L.S. CARPNER  
Date: 9/6/06

**SHOP NOTE**

HOLES: 15/16" (U.N.)  
BOLTS: NONE  
PAINT: NONE  
FOR GENERAL SHOP NOTES, SEE DWG. GNI.

RECEIVED  
OK'D BY: VHB OK'D BY:  
AUG 21 2006  
RESUBMIT APPROVED As Noted  
BY: WJS DATE 9/19/06

NO.	REVISION	BY	DATE
<p>1770 Hempstead Road Lancaster, PA 17605-0008 Phone 717/299-5211</p> <p><b>HIGH STEEL STRUCTURES, INC.</b></p> <p>A Division of High Industrial, Inc.</p>			
<p>STRINGER S6A</p> <p>VT 17 OVER MILL BROOK</p> <p>VT 17 STA. 0+944.700 TO STA. 0+968.560</p> <p>TOWN OF FALSTON, WASHINGTON COUNTY, VT</p> <p>STATE OF VERMONT</p> <p>AGENCY OF TRANSPORTATION</p>			
STATE CONTRACT OR REF. NO. BRIDGE NO. 36			
CONTRACTOR WINTERSET, INC.			
IN CHARGE: CHRISTMAN (IH) MADE BY: ERS CHK'D. BY: MKG DATE: 8-9-06			
CONTRACT NUMBER: VT-06062-1 DRAWING NUMBER: 7 OF 7			

FAYSTON

BY: Mkereldi  
PLOTTED: 08/10/06  
18:27:14 AM