

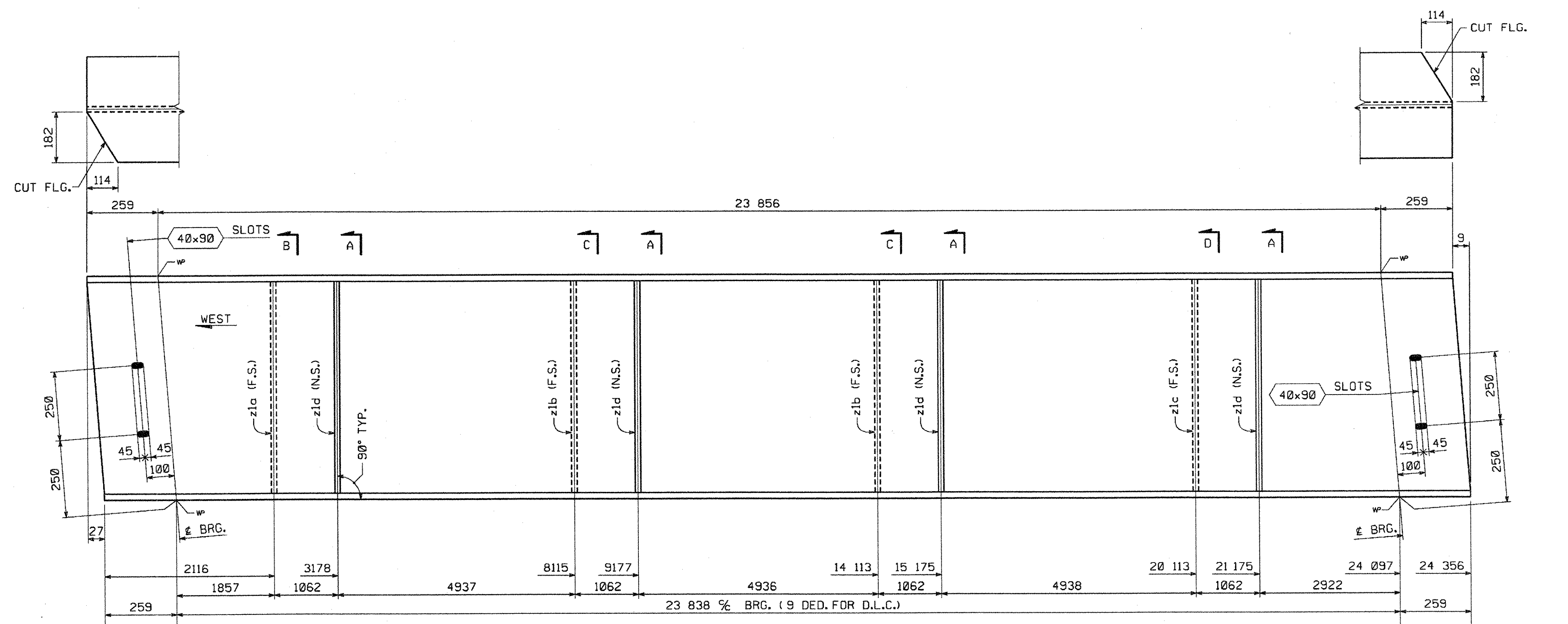
METRIC

1. ALL DIMENSIONS ARE IN MILLIMETERS UNLESS OTHERWISE NOTED.
2. ALL WEIGHTS ARE IN KILOGRAMS.

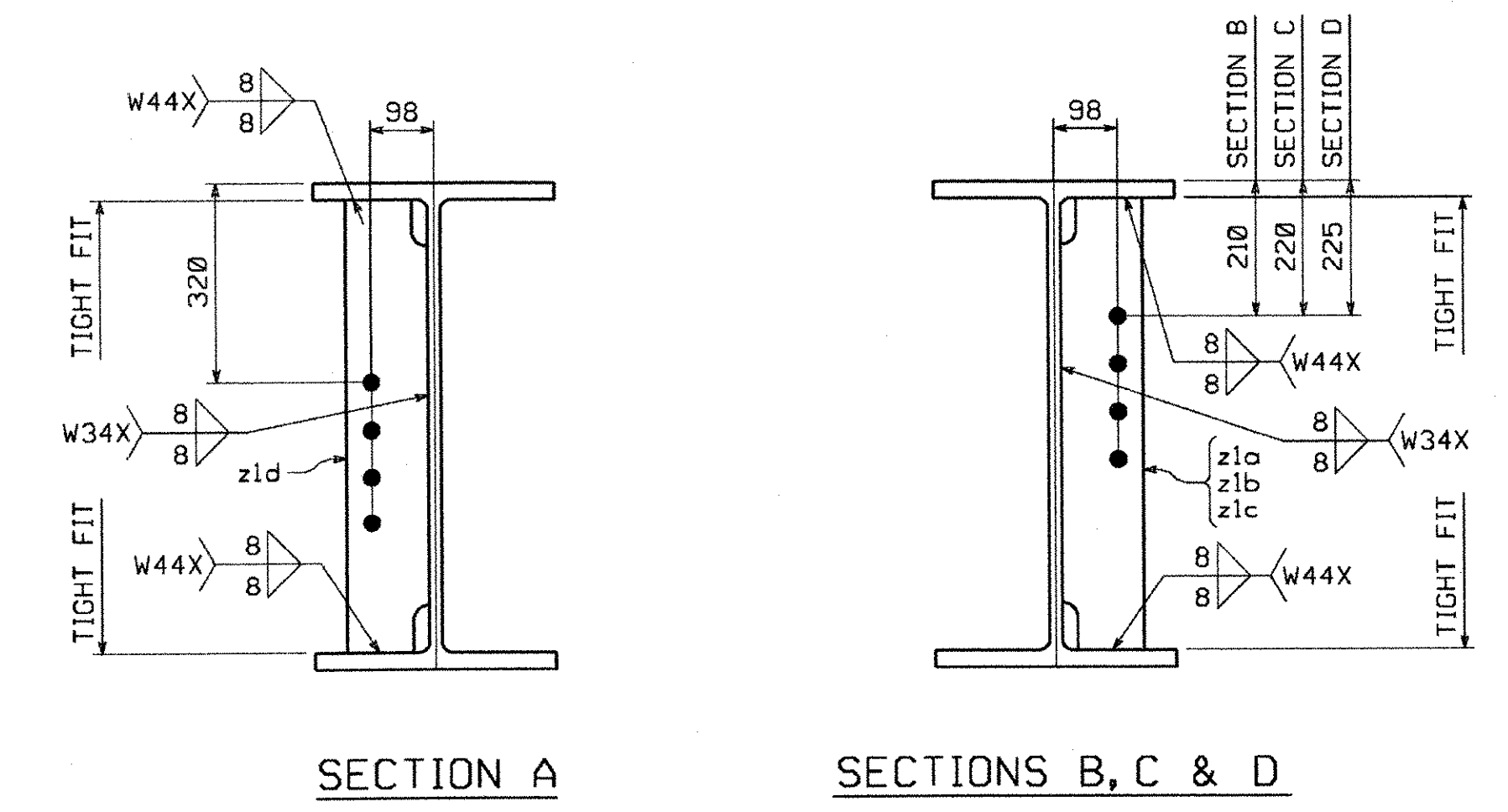
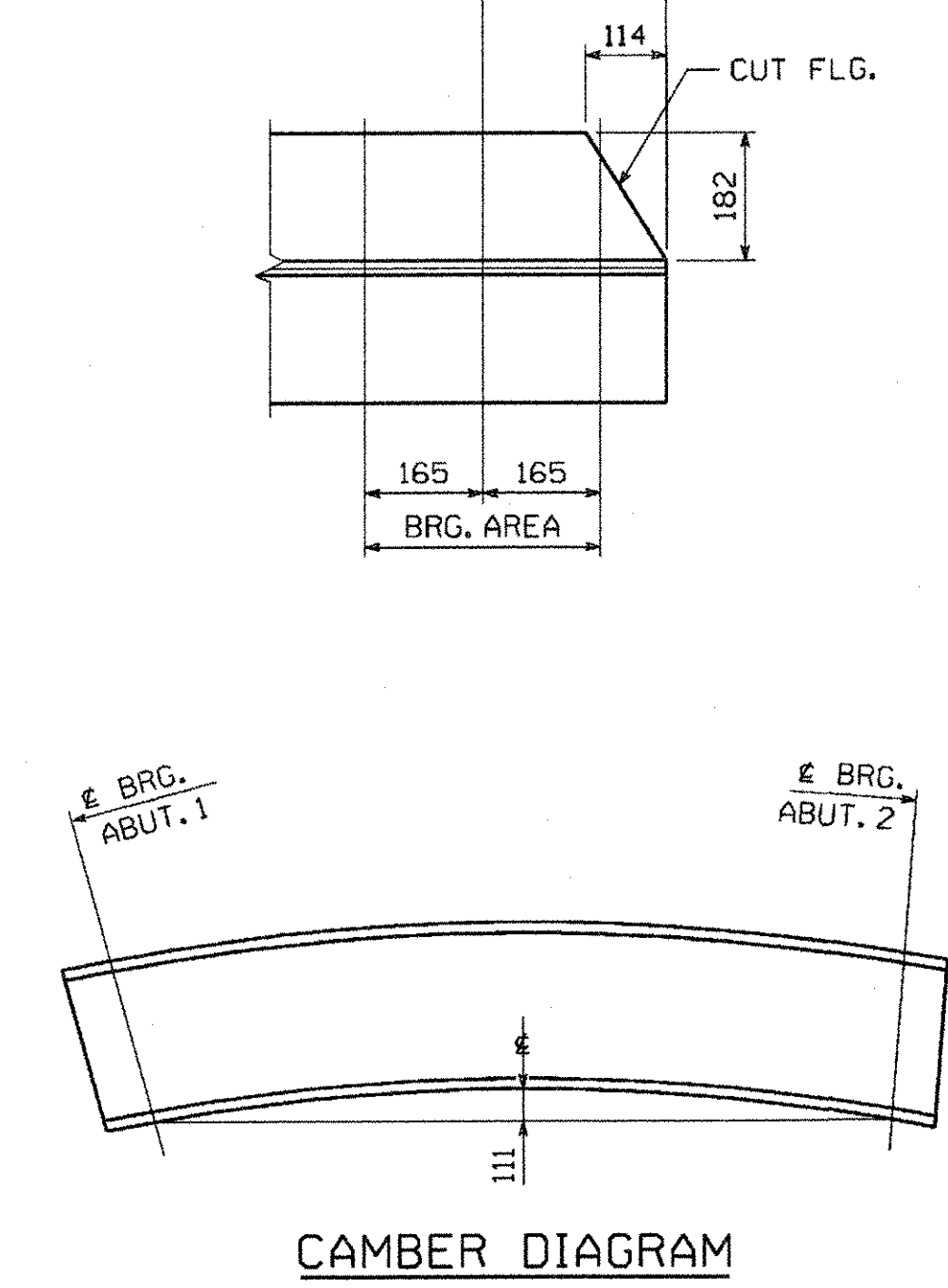
FED. ROAD DIV. NO.	STATE	FED. AID PROJ. NO.
	VT	

BILL OF MATERIAL

QTY EA.	MARK	COMMODITY	DESCRIPTION	LENGTH	SPEC	GRADE	TEST	REMARKS	GRP.	ITEM	SHIP WEIGHT EA.
1	S4A		STRINGER								6359.75
1		W	760 x 257	24 383	M270M	345W	T (W30 x 173)		5	1	6266.43
1	z1a	PL	15.9 x 130	719	M270M	345W			8	1	11.67
2	z1b	PL	15.9 x 130	719	M270M	345W			8	1	23.33
1	z1c	PL	15.9 x 130	719	M270M	345W			8	1	11.67
4	z1d	PL	15.9 x 130	719	M270M	345W			8	1	46.66
TOTAL WEIGHT THIS SHEET:										6359.75 kg	



STRINGER ~ MK. S4A



SHOP DRAWING REVIEW

REVIEWED AS REQUIRED BY THE CONSTRUCTION CONTRACT DOCUMENTS AND APPROVED, BUT ONLY FOR CONFORMANCE TO THE DESIGN CONCEPT OF THE WORK, AND SUBJECT TO FURTHER LIMITATIONS AND REQUIREMENTS CONTAINED IN THE CONSTRUCTION CONTRACT DOCUMENTS.

REJECTED REUSE AND RESUBMIT FURNISH AS CORRECTED

CORRECTIONS OR COMMENTS MADE ON THE SHOP DRAWINGS DURING THIS REVIEW DO NOT RELIEVE CONTRACTOR FROM COMPLIANCE WITH REQUIREMENTS OF THE DRAWINGS AND SPECIFICATIONS. THIS CHECK IS ONLY FOR REVIEW OF GENERAL CONFORMANCE WITH THE DESIGN CONCEPT OF THE PROJECT AND GENERAL COMPLIANCE WITH THE INFORMATION GIVEN IN THE CONTRACT DOCUMENTS. THE CONTRACTOR IS RESPONSIBLE FOR CORRECTING AND CORRELATING ALL QUANTITIES AND DIMENSIONS; SELECTING FABRICATION PROCESSES AND TECHNIQUES OF CONSTRUCTION; COORDINATING HIS WORK WITH THAT OF ALL OTHER TRADES; AND PERFORMING HIS WORK IN A SAFE AND SATISFACTORY MANNER.

VHB Versano Hengen Estrella, Inc. Engineers, Planners, and Scientists
Six Bedford Farms, Wilson Pk., Bedford, NH 03110 603 844 0888

Job Number: 22543
Reviewed By: L.S. CARADNER
Date: 8/10/06

SHOP NOTE

HOLES: 1 5/16" (U.N.)

BOLTS: NONE

PAINT: NONE

FOR GENERAL SHOP NOTES, SEE DWG. GNI.

RECEIVED
CK'D BY: VHB OK'D BY: _____
AUG 21 2006
RESUBMIT: _____ APPROVED: *As Noted*
BY: *WJY* DATE: 8/19/06

NO.	REVISION	BY	DATE
STRINGER S4A VT 17 OVER MILL BROOK VT 17 STA. 0+944.700 TO STA. 0+968.560 TOWN OF FALSTON, WASHINGTON COUNTY, VT STATE OF VERMONT AGENCY OF TRANSPORTATION			
STATE CONTRACT OR REF. NO. BRIDGE NO. 36			
CONTRACTOR WINTERSET, INC.			
IN CHARGE: CHRISTMAN (IH) MADE BY: ERS CHK'D BY: MGK DATE: 8-9-06			
CONTRACT NUMBER: VT-06062-1 DRAWING NUMBER: 5 OF 7			

FAYSTON

PLOTTED: 08/19/06 10:56:55 AM BY: Mer-mad61