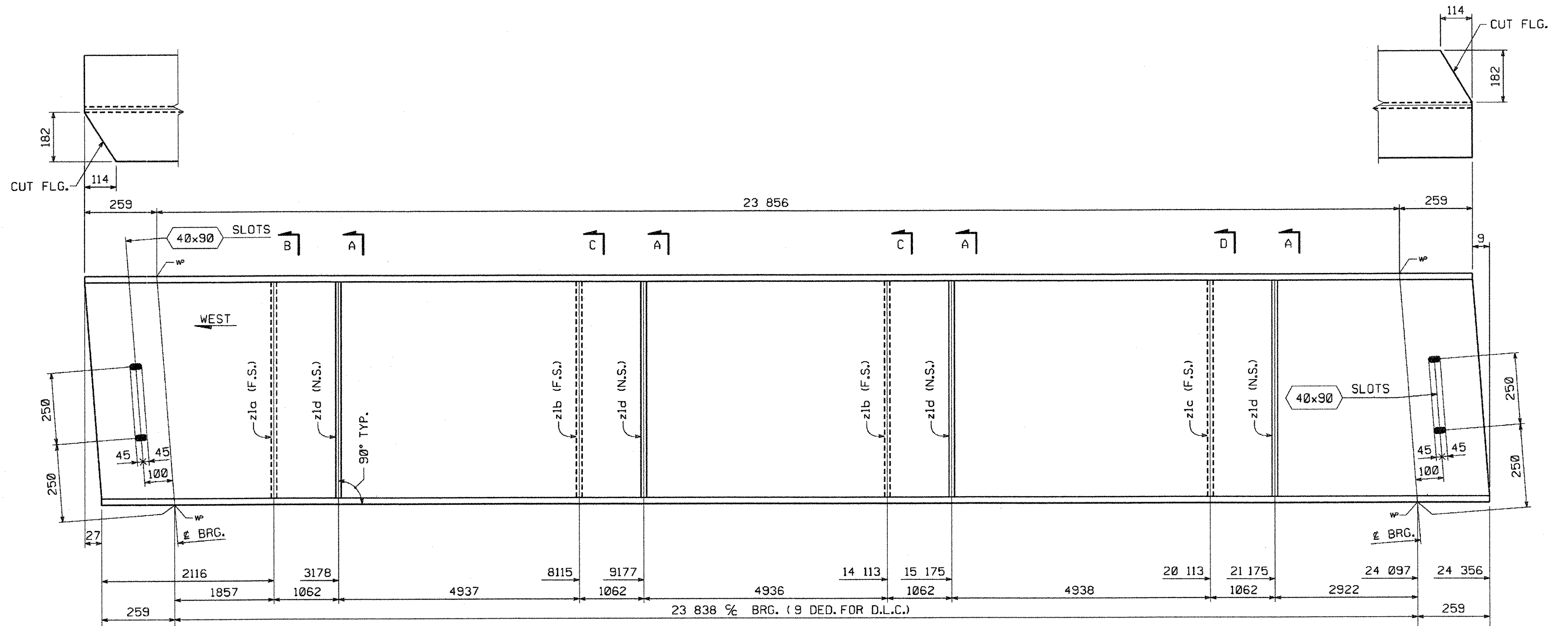


METRIC 1. ALL DIMENSIONS ARE IN MILLIMETERS UNLESS OTHERWISE NOTED.
2. ALL WEIGHTS ARE IN KILOGRAMS.

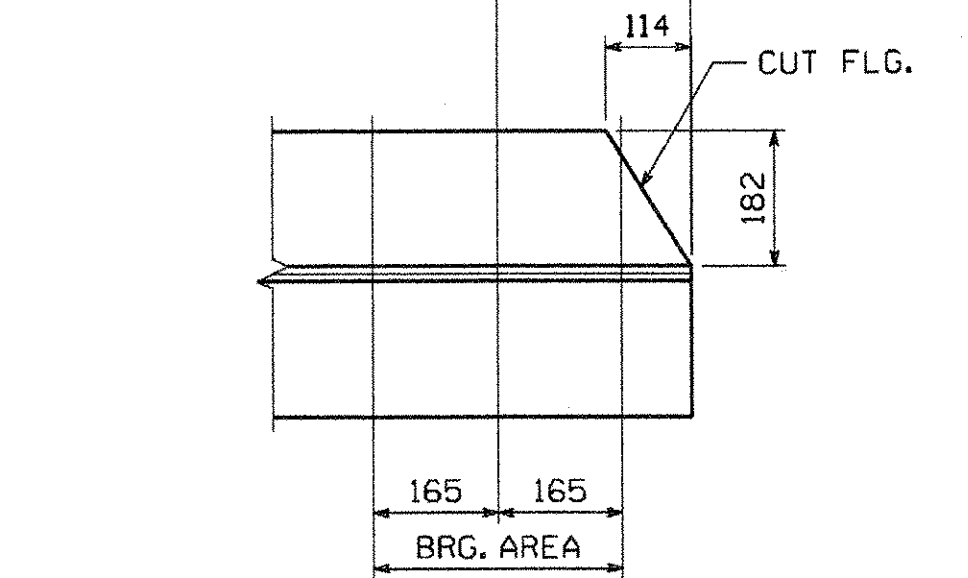
FED. ROAD DIV. NO.	STATE	FED. AID PROJ. NO.
	VT	

BILL OF MATERIAL

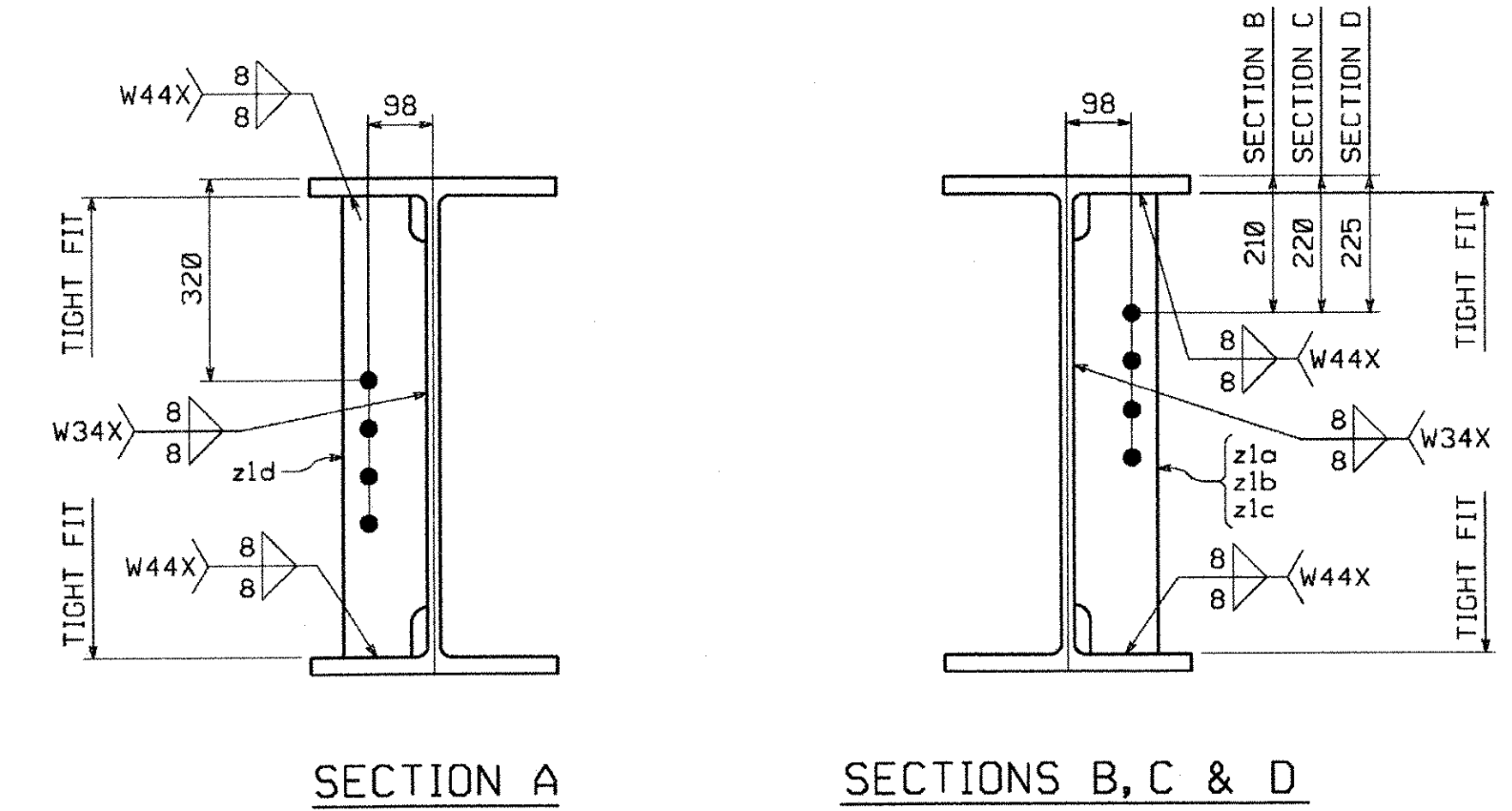
QTY EA	MARK	COMMODITY	DESCRIPTION	LENGTH	SPEC	GRADE	TEST	REMARKS	GRP.	ITEM	SHIP WEIGHT EA
1	S3A		STRINGER								6359.75
1		W	760 x 257	24 383	M270M	345W	T	(W30 x 173)	5	2	6266.43
1	z1a	PL	15.9 x 130	719	M270M	345W			8	1	11.67
2	z1b	PL	15.9 x 130	719	M270M	345W			8	1	23.33
1	z1c	PL	15.9 x 130	719	M270M	345W			8	1	11.67
4	z1d	PL	15.9 x 130	719	M270M	345W			8	1	46.66
TOTAL WEIGHT THIS SHEET:										6359.75 kg	



STRINGER ~ MK. S3A



CAMBER DIAGRAM



SECTION A

SECTIONS B, C & D

SHOP DRAWING REVIEW

REVIEWED AS REQUIRED BY THE CONSTRUCTION CONTRACT DOCUMENTS AND APPROVED, BUT ONLY FOR CONFORMANCE TO THE DESIGN CONCEPT OF THE WORK, AND SUBJECT TO FURTHER LIMITATIONS AND REQUIREMENTS CONTAINED IN THE CONSTRUCTION CONTRACT DOCUMENTS.

REJECTED REVISE AND RESUBMIT FURNISH AS CORRECTED

CORRECTIONS OR COMMENTS MADE ON THE SHOP DRAWINGS DURING THIS REVIEW DO NOT RELIEVE CONTRACTOR FROM COMPLIANCE WITH REQUIREMENTS OF THE DRAWINGS AND SPECIFICATIONS. THIS CHECK IS ONLY FOR REVIEW OF GENERAL CONFORMANCE WITH THE DESIGN CONCEPT OF THE PROJECT AND GENERAL COMPLIANCE WITH THE INFORMATION GIVEN IN THE CONTRACT DOCUMENTS. THE CONTRACTOR IS RESPONSIBLE FOR CONFIRMING AND CORRECTING ALL QUANTITIES AND DIMENSIONS; SELECTING FABRICATION PROCESSES AND TECHNIQUES OF CONSTRUCTION; COORDINATING HIS WORK WITH THAT OF ALL OTHER TRADES; AND PERFORMING HIS WORK IN A SAFE AND SATISFACTORY MANNER.

VHB Vanasse Hangen Brustlin, Inc. Job Number: 50545
Engineers, Planners, and Scientists Reviewed By: L. S. GARNER
100 Bedford Farms, Winochi, VT Date: 9/6/06
Bedford, NH 03110 603 844 0880

SHOP NOTE
HOLES: 1/16" (U.N.)
BOLTS: NONE
PAINT: NONE
FOR GENERAL SHOP NOTES, SEE DWG. GNI.

RECEIVED
CK'D BY: VHB CK'D BY: _____
AUG 21 2006
RESUBMIT APPROVED: As Noted
BY: WJY DATE: 9/10/06

NO.	REVISION	BY	DATE
HIGH STEEL STRUCTURES, INC. 1770 Hempstead Road Lancaster, PA 17605-0008 Phone 717/299-5211 A Division of High Industries, Inc.			
STRINGER		S3A	
VT 17 OVER MILL BROOK			
VT 17 STA. 0+944.700 TO STA. 0+968.560			
TOWN OF FALSTON, WASHINGTON COUNTY, VT			
STATE OF VERMONT			
AGENCY OF TRANSPORTATION			
STATE CONTRACT OR REF. NO. BRIDGE NO. 36			
CONTRACTOR WINTERSET, INC.			
IN CHARGE: CHRISTMAN (IH)		MADE BY: ERS	CHK'D. MGK DATE: 8-9-06
CONTRACT NUMBER: VT-06062-2		DRAWING NUMBER: 4 OF 7	

FAYSTON

METRIC 1 2 1 68 PLOTTED: 08/10/06 10:36:52 AM BY: Mkr-edel