

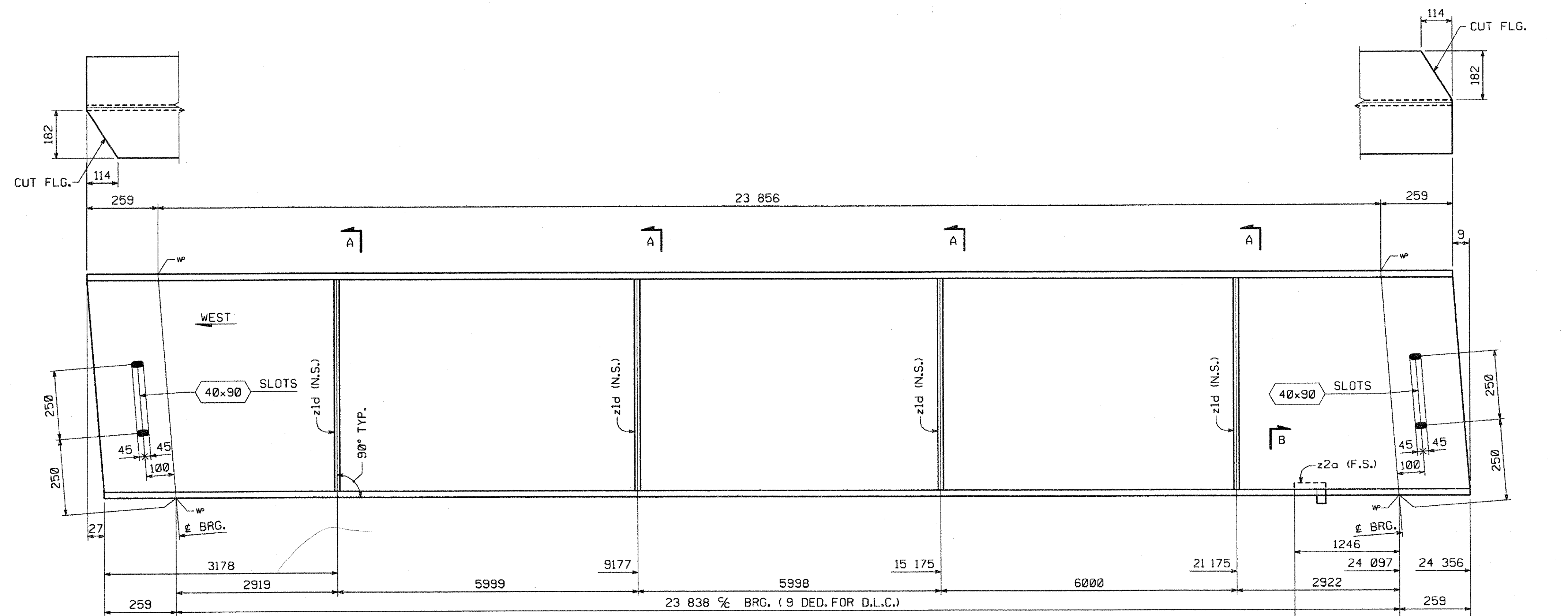
METRIC 1. ALL DIMENSIONS ARE IN MILLIMETERS UNLESS OTHERWISE NOTED.
2. ALL WEIGHTS ARE IN KILOGRAMS.

FED. ROAD DIV. NO. STATE VT FED. AID PROJ. NO.

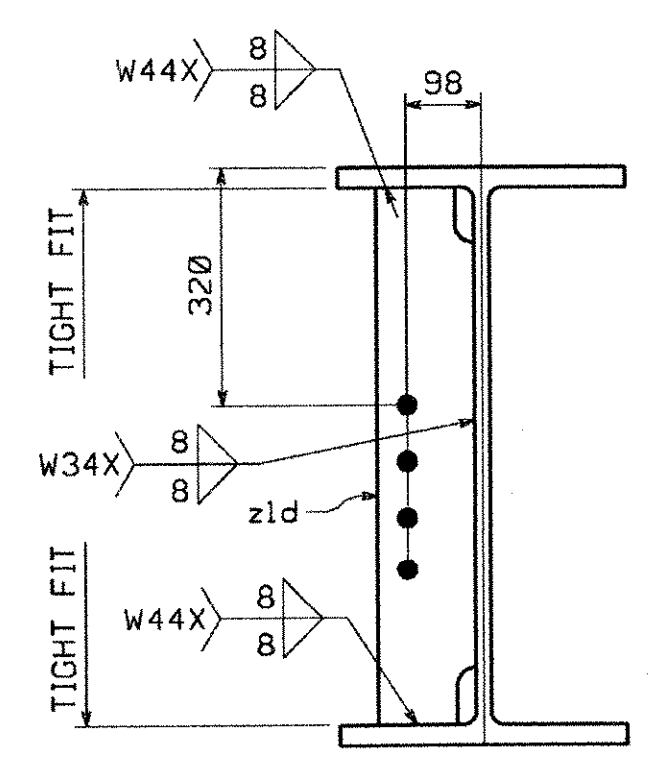
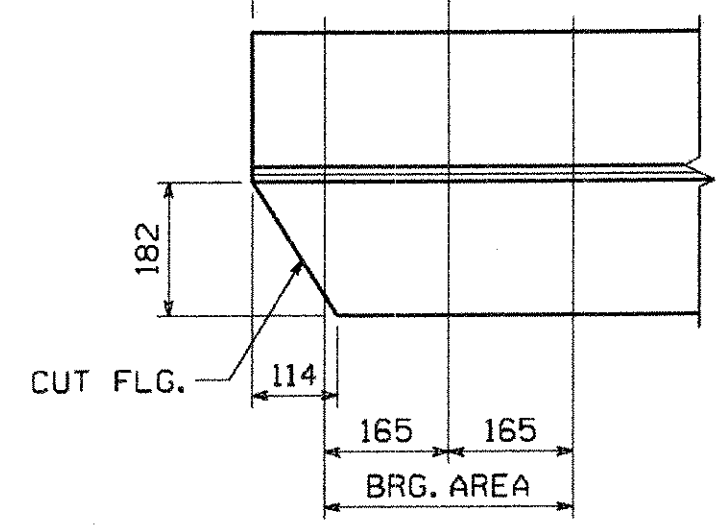
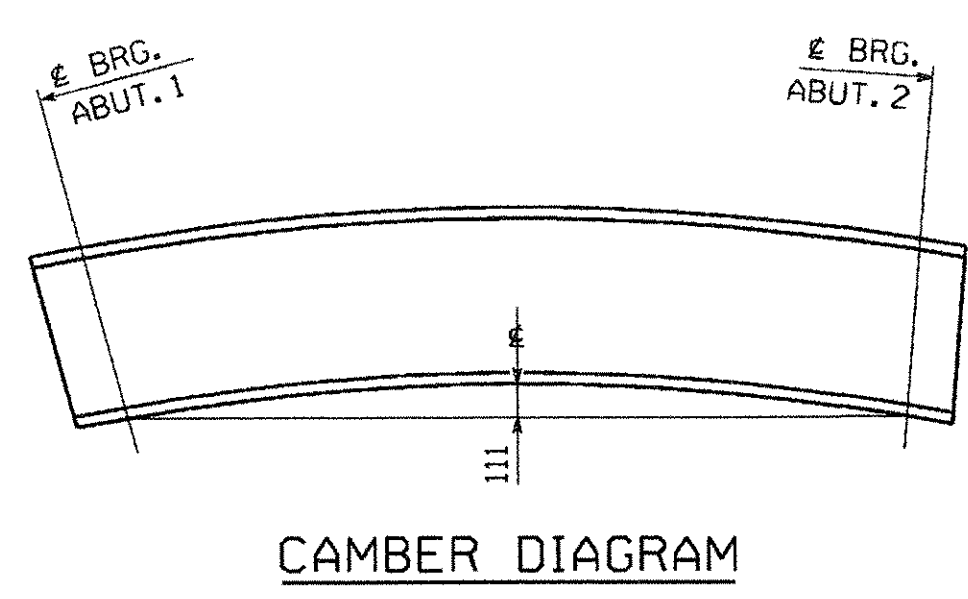
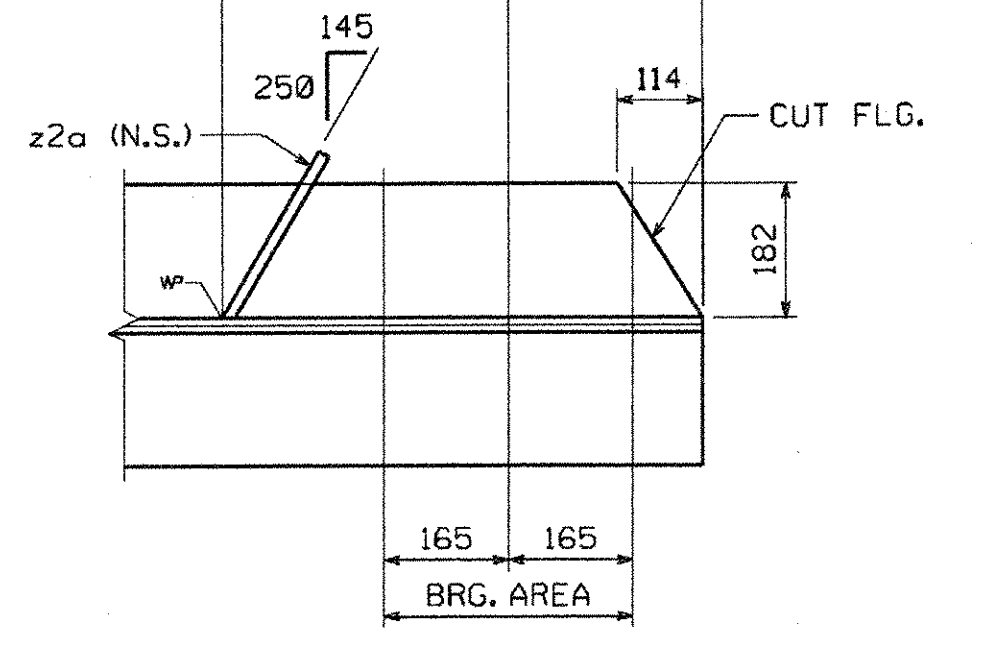
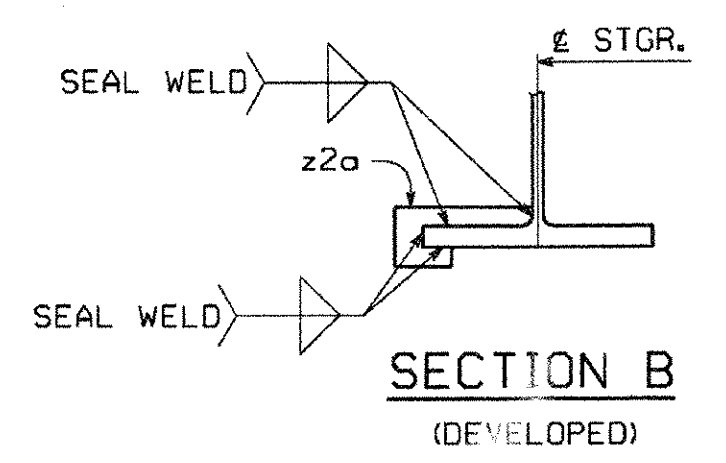
BILL OF MATERIAL

QTY EA.	MARK	COMMODITY	DESCRIPTION	LENGTH	SPEC	GRADE	TEST	REMARKS	GRP.	ITEM	SHIP WEIGHT EA.
1	S1A		STRINGER								6314.10
1		W	780 x 257	24 383	M270M	345W	T	(W30 x 173)	5	2	6266.43
4	z1d	PL	15.9 x 130	719	M270M	345W			8	1	46.66
1	z2a	PL	6.4 x 77	260	M270M	345W			8	2	1.01

TOTAL WEIGHT THIS SHEET: 6314.10 kg



STRINGER ~ MK. S1A



SECTION A

SHOP DRAWING REVIEW

REVIEWED AS REQUIRED BY THE CONSTRUCTION CONTRACT DOCUMENTS AND APPROVED, BUT ONLY FOR COMPLIANCE TO THE DESIGN CONCEPT OF THE WORK, AND SUBJECT TO FURTHER LIMITATIONS AND REQUIREMENTS CONTAINED IN THE CONSTRUCTION CONTRACT DOCUMENTS.

REJECTED REVISE AND RESUBMIT FURNISH AS CORRECTED

CORRECTIONS OR COMMENTS MADE ON THE SHOP DRAWINGS DURING THIS REVIEW DO NOT RELIEVE CONTRACTOR FROM COMPLIANCE WITH REQUIREMENTS OF THE DRAWINGS AND SPECIFICATIONS. THIS CHECK IS ONLY FOR REVIEW OF GENERAL COMPLIANCE WITH THE DESIGN CONCEPT OF THE PROJECT AND GENERAL COMPLIANCE WITH THE INFORMATION GIVEN IN THE CONTRACT DOCUMENTS. THE CONTRACTOR IS RESPONSIBLE FOR: CONFIRMING AND CORRELATING ALL QUANTITIES AND DIMENSIONS; SELECTING FABRICATION PROCESSES AND TECHNIQUES OF CONSTRUCTION; COORDINATING HIS WORK WITH THAT OF ALL OTHER TRADES; AND PERFORMING HIS WORK IN A SAFE AND SATISFACTORY MANNER.

VHB Versasse Hangen Brustlin, Inc.
Engineers, Planners, and Scientists
30 Bedford Farms, Kilton Rd.
Bedford, NH 03110-2028 603.864.0288

Job Number: 50543
Reviewed By: J.S. GARDNER
Date: 9/6/06

SHOP NOTE

HOLES: 1/8" (U.N.)

BOLTS: NONE

PAINT: NONE

FOR GENERAL SHOP NOTES, SEE DWG. GEN.

RECEIVED
CK'D BY: VHB OK'D BY: _____
AUG 21 2006
RESUBMIT: _____ APPROVED: *As Noted*
BY: *WJ* DATE: 9/11/06

NO.	REVISION	BY	DATE

1770 Hempstead Road
Lancaster, PA 17605-0008
Phone 717/299-5211
A Division of High Industries, Inc.

HIGH STEEL STRUCTURES, INC.

STRINGER S1A
VT 17 OVER MILL BROOK
VT 17 STA. 0+944.700 TO STA. 0+968.560
TOWN OF FALSTON, WASHINGTON COUNTY, VT
STATE OF VERMONT
AGENCY OF TRANSPORTATION

STATE CONTRACT OR REF. NO. BRIDGE NO. 36
CONTRACTOR WINTERSET, INC.
IN CHARGE: CHRISTMAN (IH) MADE BY: ERS CHK'D BY: MGK DATE: 8-9-06
CONTRACT NUMBER: VT-06062-2 DRAWING NUMBER: 2 OF 7

FAYSTON

BY: Microcad
PLOTTED: 09/10/06 10:36:36 AM