

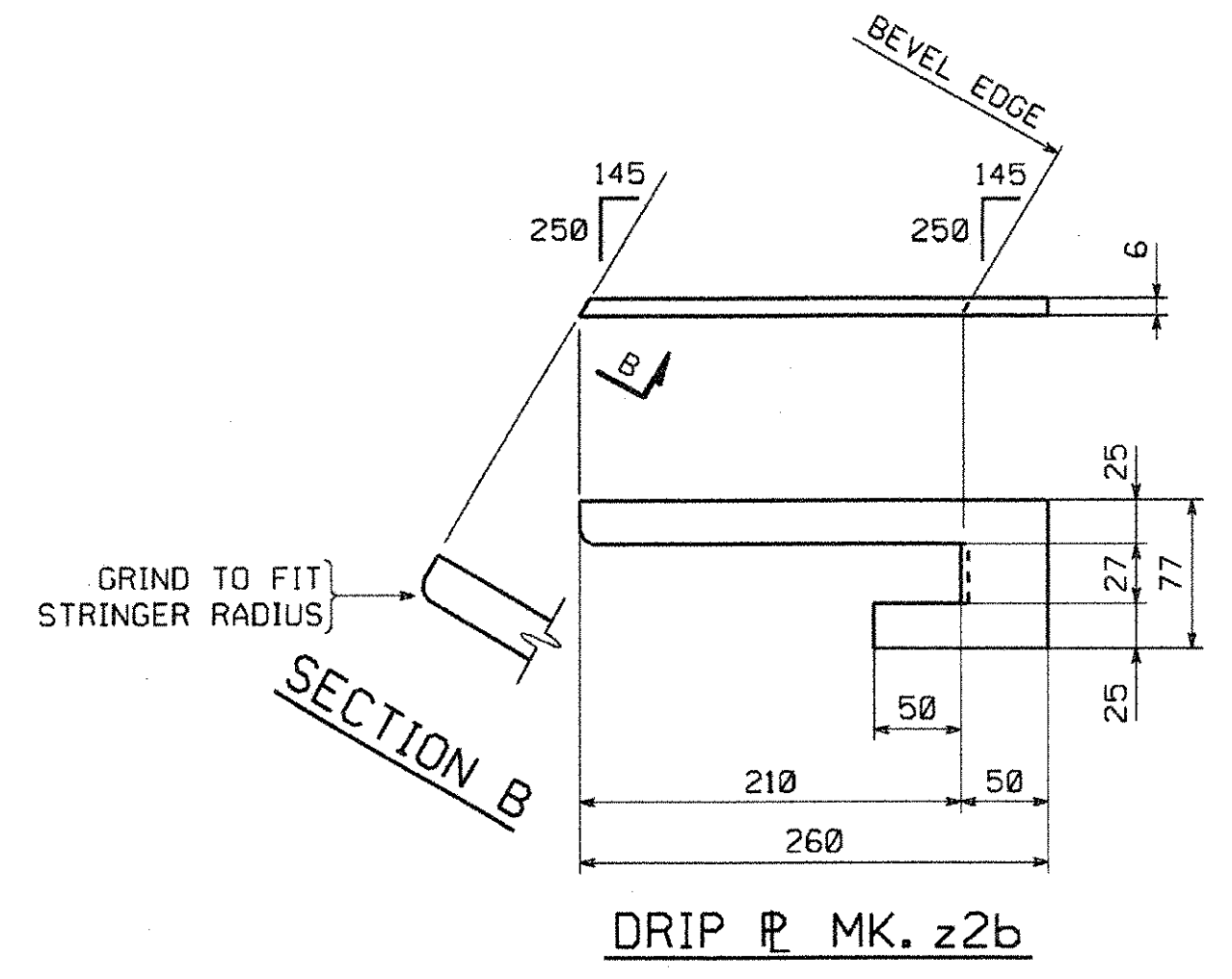
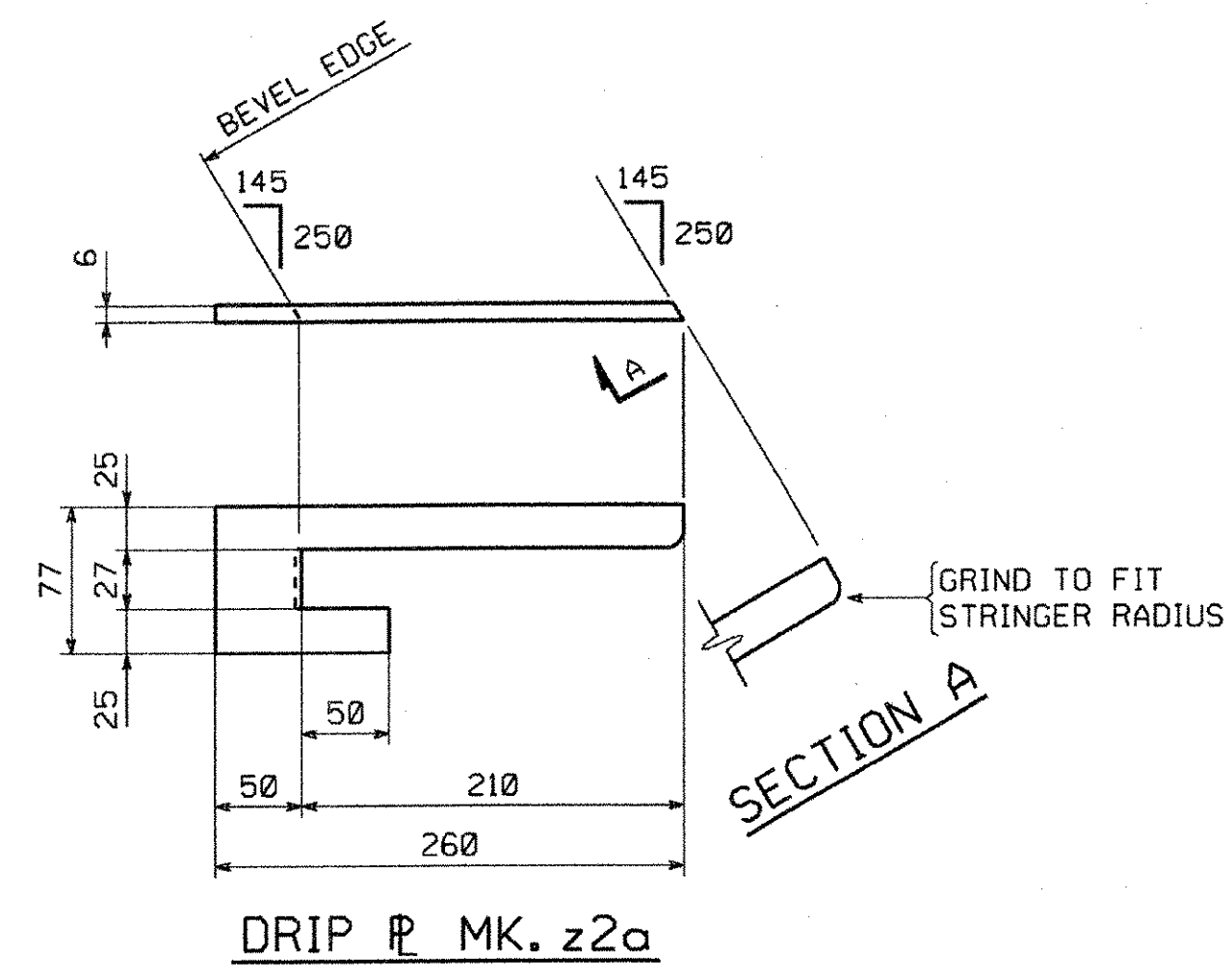
METRIC

1. ALL DIMENSIONS ARE IN MILLIMETERS UNLESS OTHERWISE NOTED.
2. ALL WEIGHTS ARE IN KILOGRAMS.

FED. ROAD DIV. NO.	STATE	FED. AID PROJ. NO.
	VT	

BILL OF MATERIAL

SHIP. QTY	MARK	COMMODITY	DESCRIPTION	LENGTH	SPEC	GRADE	TEST	REMARKS	GRP.	ITEM	WEIGHT EA (KG)
2	1	z2a	PL 6.4 x 77	260	M270M	345W			8	2	1.01
1	1	z2b	PL 6.4 x 77	260	M270M	345W			8	2	1.01



SHOP DRAWING REVIEW

REVIEWED AS REQUIRED BY THE CONSTRUCTION CONTRACT DOCUMENTS AND APPROVED, BUT ONLY FOR CONFORMANCE TO THE DESIGN CONCEPT OF THE WORK, AND SUBJECT TO FURTHER LIMITATIONS AND REQUIREMENTS CONTAINED IN THE CONSTRUCTION CONTRACT DOCUMENTS.

REJECTED REVISE AND RESUBMIT FURNISH AS CORRECTED

CORRECTIONS OR COMMENTS MADE ON THE SHOP DRAWINGS DURING THIS REVIEW DO NOT RELIEVE CONTRACTOR FROM COMPLIANCE WITH REQUIREMENTS OF THE DRAWINGS AND SPECIFICATIONS. THIS CHECK IS ONLY FOR REVIEW OF GENERAL CONFORMANCE WITH THE DESIGN CONCEPT OF THE PROJECT AND GENERAL CONFORMANCE WITH THE INFORMATION GIVEN IN THE CONTRACT DOCUMENTS. THE CONTRACTOR IS RESPONSIBLE FOR CORRECTING AND CORRELATING ALL QUANTITIES AND DIMENSIONS; SELECTING FABRICATION PROCESSES AND TECHNIQUES OF CONSTRUCTION; COORDINATING HIS WORK WITH THAT OF ALL OTHER TRADES; AND PERFORMING HIS WORK IN A SAFE AND SATISFACTORY MANNER.

VHB Vannesse Hangen Brucetta, Inc.
Engineers, Planners, and Scientists
Site Bedford Farms, Milton Rd.
Bedford, NH 03110 (603) 864-2000

Job Number: 50593
Reviewed By: L.S. GARDNER
Date: 9/6/06

SHOP NOTE
HOLES: NONE
BOLTS: NONE
PAINT: NONE
FOR GENERAL SHOP NOTES, SEE DWG. G01.

RECEIVED
OK'D BY: VHB OK'D BY: _____
AUG 21 2006
RESUBMIT _____ APPROVED: As Notd
BY: WJH DATE: 9/14/06

NO.	REVISION	BY	DATE

HIGH STEEL STRUCTURES, INC. **FAYSTON**
1770 Hempstead Road
Lancaster, PA 17605-0008
Phone 717/299-528

STRINGER JOB STANDARDS
VT 17 OVER MILL BROOK
VT 17 STA. 0+944.700 TO STA. 0+968.560
TOWN OF FALSTON, WASHINGTON COUNTY, VT
STATE OF VERMONT
AGENCY OF TRANSPORTATION

STATE CONTRACT OR REF. NO. BRIDGE NO. 36
CONTRACTOR WINTERSET, INC.
IN CHARGE: CHRISTMAN (IH) MADE BY: ERS CHK'D. BY: MCK DATE: 8-7-06
CONTRACT NUMBER: VT-06062-1&2 DRAWING NUMBER: Z2 OF Z2

METRIC
1
2
60
PLOTTED: 09/18/06 10:56:25 AM
BY: Mck-e1061