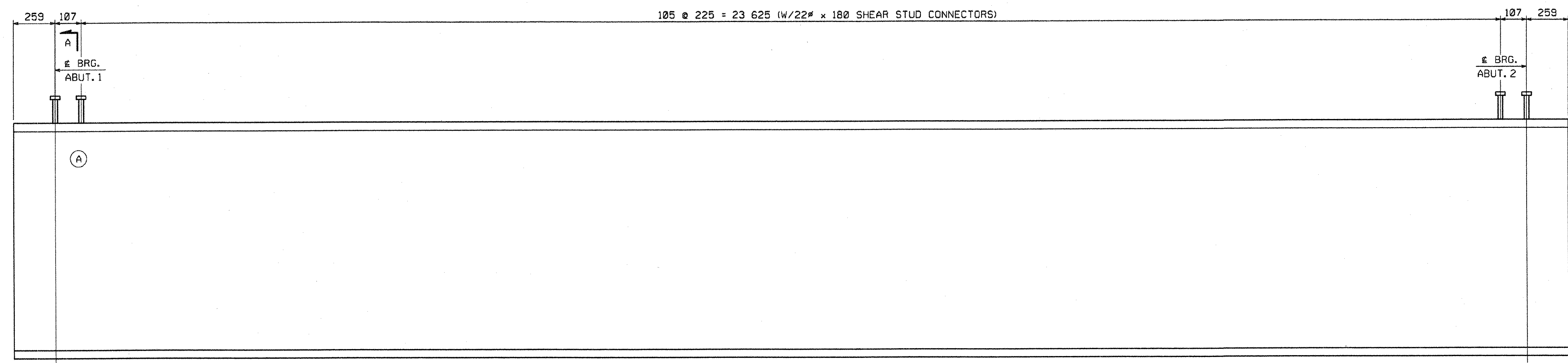
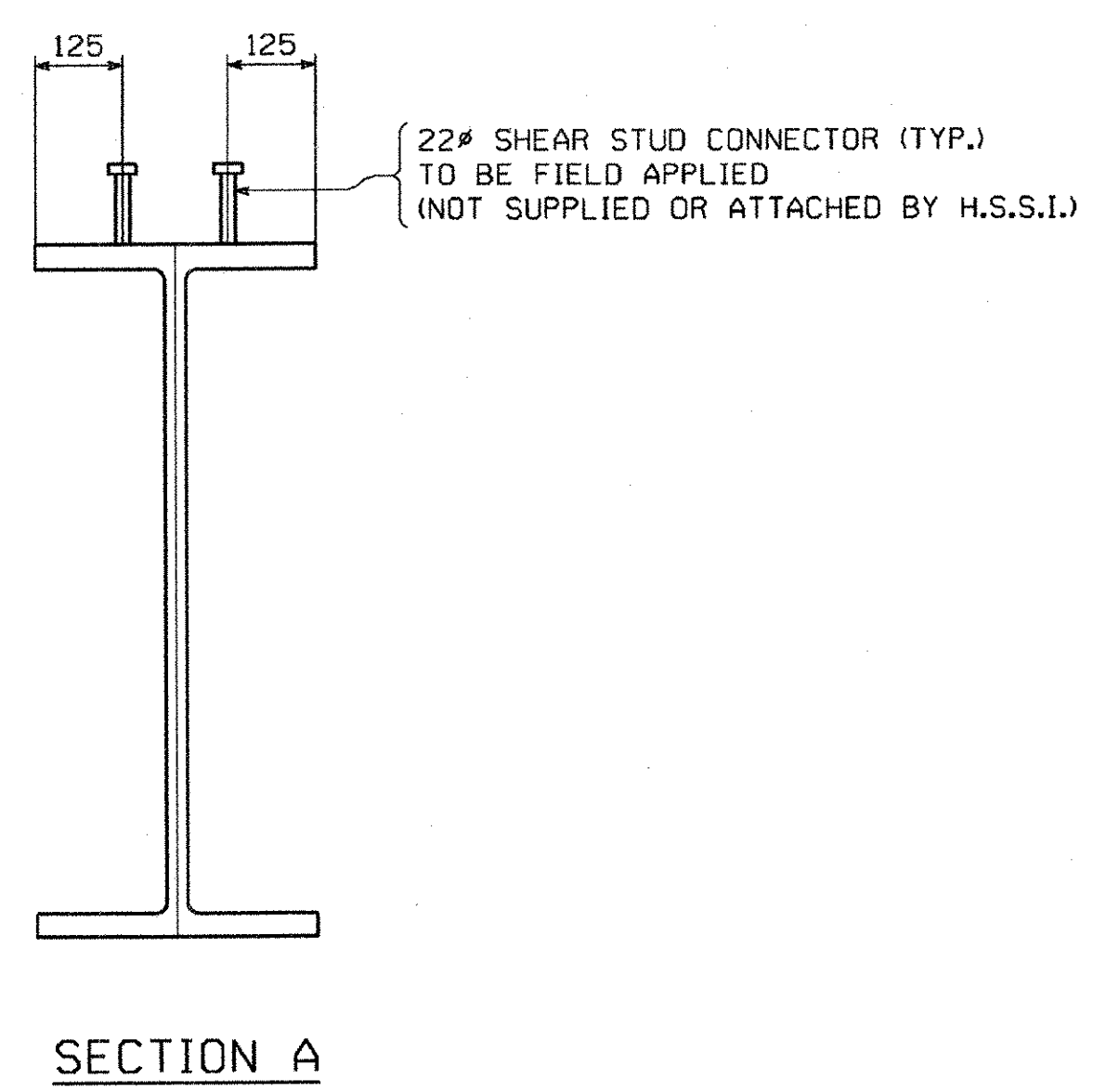


METRIC 1. ALL DIMENSIONS ARE IN MILLIMETERS UNLESS OTHERWISE NOTED.  
2. ALL WEIGHTS ARE IN KILOGRAMS.

FED. ROAD DIV. NO.	STATE	FED. AID PROJ. NO.
	VT	



SHEAR STUD CONNECTOR LOCATION LAYOUT



SHOP DRAWING REVIEW	
<input type="checkbox"/> REVIEWED AS REQUIRED BY THE CONSTRUCTION CONTRACT DOCUMENTS AND APPROVED, BUT ONLY FOR CONFORMANCE TO THE DESIGN CONCEPT OF THE WORK, AND SUBJECT TO FURTHER LIMITATIONS AND REQUIREMENTS CONTAINED IN THE CONSTRUCTION CONTRACT DOCUMENTS.	<input checked="" type="checkbox"/> FURNISH AS CORRECTED
<input type="checkbox"/> REJECTED	<input type="checkbox"/> REVISE AND RESUBMIT
CORRECTIONS OR COMMENTS MADE ON THE SHOP DRAWINGS DURING THIS REVIEW DO NOT RELIEVE CONTRACTOR FROM COMPLIANCE WITH REQUIREMENTS OF THE DRAWINGS AND SPECIFICATIONS. THIS CHECK IS ONLY FOR REVIEW OF GENERAL CONFORMANCE WITH THE DESIGN CONCEPT OF THE PROJECT AND GENERAL COMPLIANCE WITH THE INFORMATION GIVEN IN THE CONTRACT DOCUMENTS. THE CONTRACTOR IS RESPONSIBLE FOR: CONFIRMING AND CORRELATING ALL QUANTITIES AND DIMENSIONS; SELECTING FABRICATION PROCESSES AND TECHNIQUES OF CONSTRUCTION; COORDINATING HIS WORK WITH THAT OF ALL OTHER TRADES; AND PERFORMING HIS WORK IN A SAFE AND SATISFACTORY MANNER.	
<b>VHB</b> Vannesse Hanger Bristlin, Inc. Engineers, Planners, and Scientists 214 Bedford Farms, Kilton Rd. Bedford, NH 05110 603 644 9883	Job Number: 5054-9 Reviewed By: L.S. GARNER Date: 9/6/06

**NOTES:**  
 FOR NOTES, SEE DRAWING E1.  
 WORK THIS DRAWING WITH DRAWING E1.  
 (A) INDICATES SUFFIX MARK OF SHIPPING PIECE.

RECEIVED  
 OK'D BY: VHB OK'D BY:  
 AUG 21 2006  
 RESUBMIT APPROVED: As noted  
 BY: WJK DATE: 9/19/06

NO.	REVISION	BY	DATE
<b>HIGH STEEL STRUCTURES, INC.</b> 1770 Hempstead Road Lancaster, PA 17605-0006 Phone 717/299-5281 <i>A Division of High Industries, Inc.</i>			
<b>ERECTOR PLAN - STUD LAYOUTS</b> VT 17 OVER MILL BROOK VT 17 STA. 0+944.700 TO STA. 0+968.560 TOWN OF FALSTON, WASHINGTON COUNTY, VT STATE OF VERMONT AGENCY OF TRANSPORTATION			
STATE CONTRACT OR REF. NO. BRIDGE NO. 36			
CONTRACTOR WINTERSET, INC.			
IN CHARGE: CHRISTMAN (IH)	MADE BY: ERS	CHK'D BY: MCK	DATE: 8-9-06
CONTRACT NUMBER: VT-06062-1&2		DRAWING NUMBER: E2 OF E2	

FAYSTON

METRIC  
 1  
 2  
 60  
 PLOTTER: 88/10/06  
 183611 RM  
 BY: Mkreidelt

08535