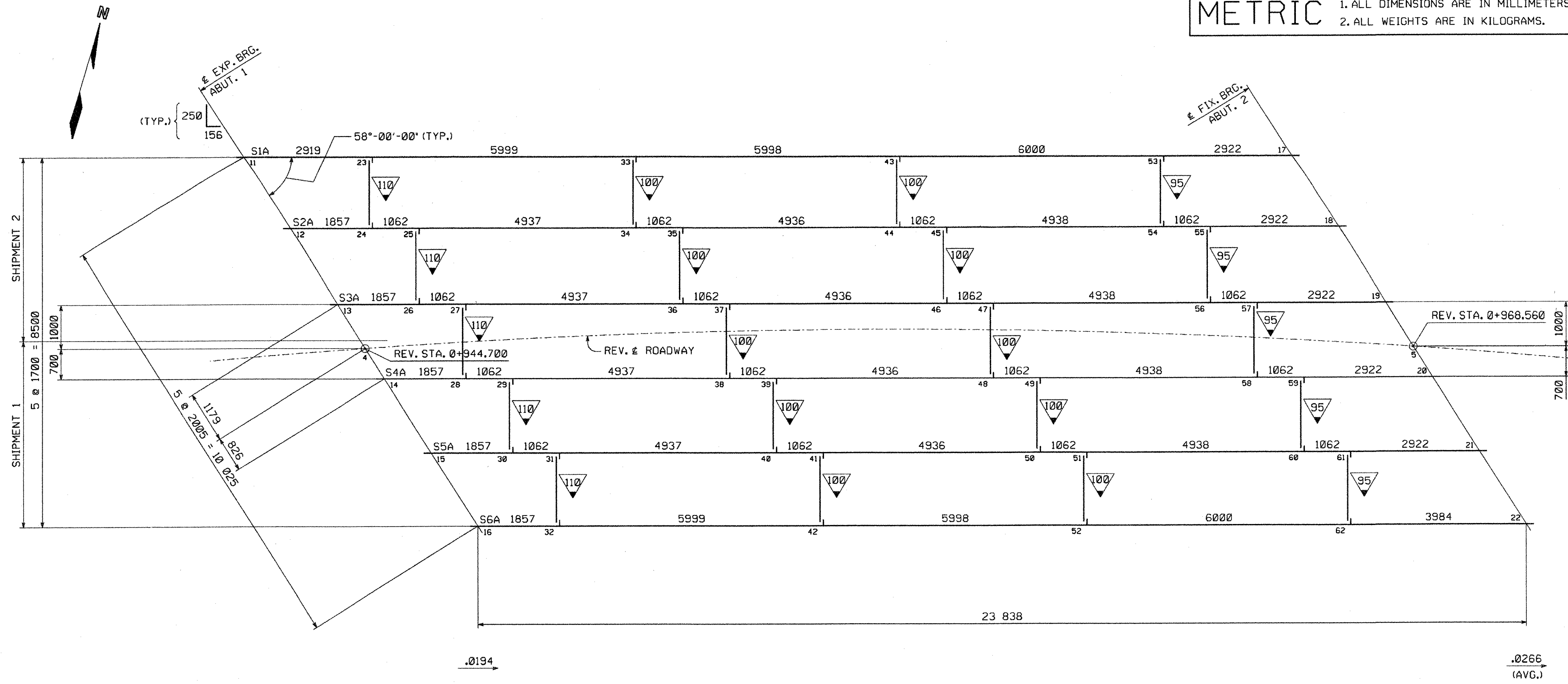
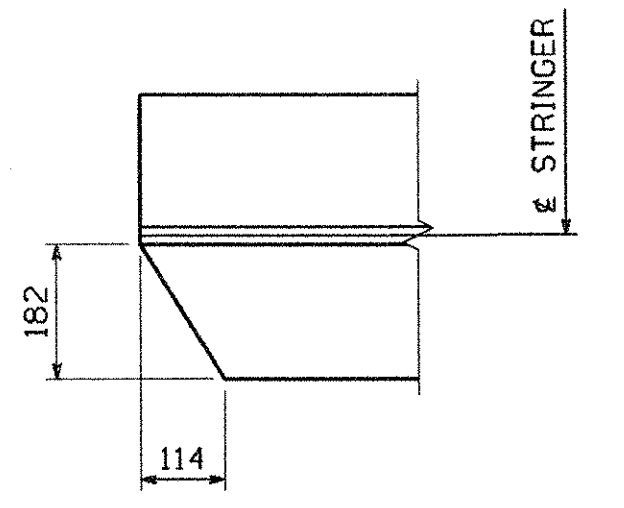


METRIC 1. ALL DIMENSIONS ARE IN MILLIMETERS UNLESS OTHERWISE NOTED.  
2. ALL WEIGHTS ARE IN KILOGRAMS.

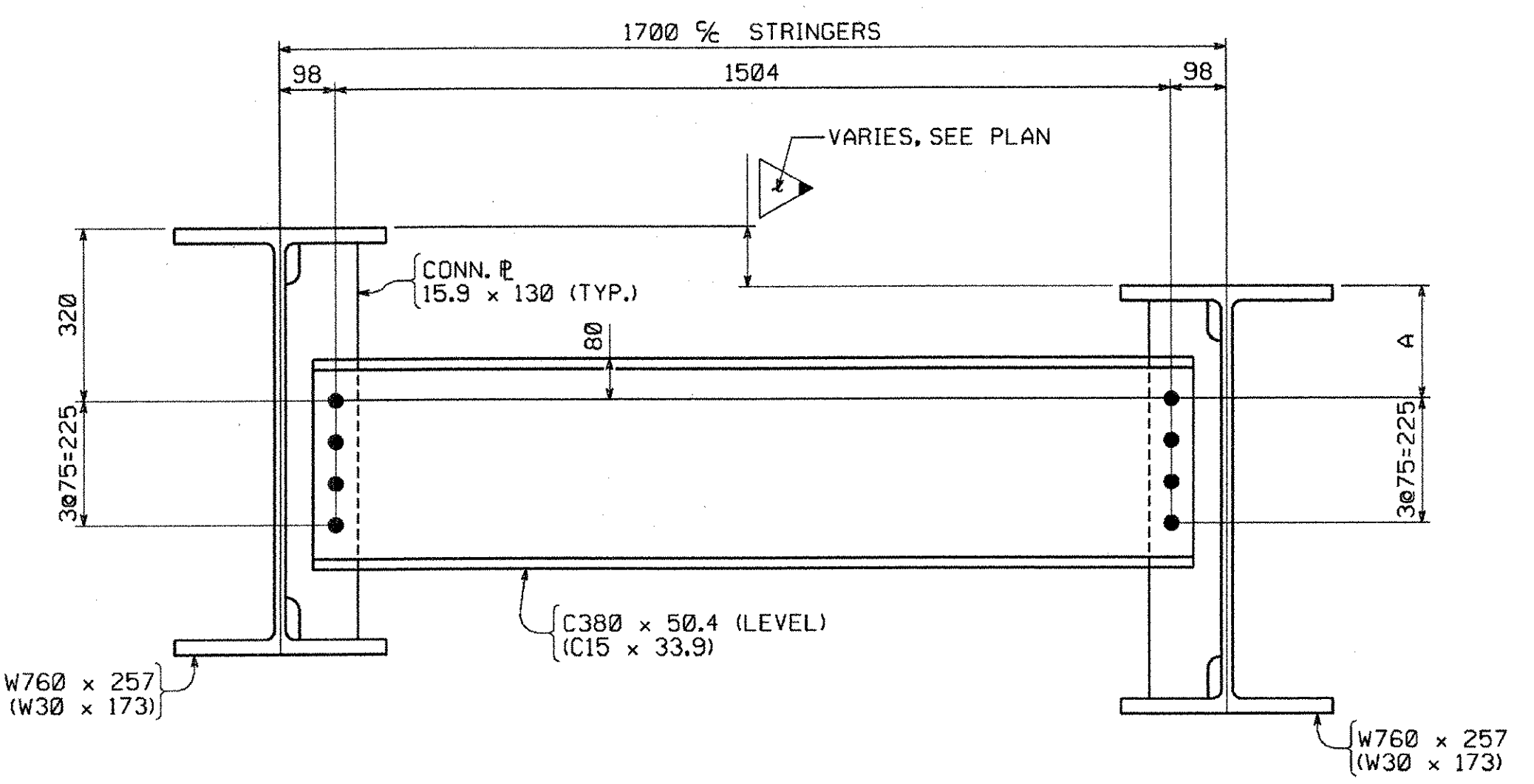
FED. ROAD DIV. NO.	STATE	FED. AID PROJ. NO.
	VT	



CALCULATION PLAN



TOP & BOTT. FLG. CLIP  
(ABUT. 1 SHOWN, ROTATE 180° FOR ABUT. 2)



INTERMEDIATE DIAPHRAGM LAYOUT  
(LOOKING STATIONS AHEAD)

▶	A
110	210
100	220
95	225

NOTES:  
DIMENSIONS ON PLAN ALONG STRINGERS ARE GIVEN TO THE CHORD AT THE BOTTOM OF STRINGER IN FULLY CAMBERED POSITION. ALL OTHER DIMENSIONS ARE GIVEN HORIZONTALLY.  
DIMENSIONS PLACED ON THE STRINGER LINES REPRESENT DIAPHRAGM SPACING. FIGURES GIVEN THUS: .0194 ARE THE GRADES OF THE STRINGERS AT THE BEARINGS IN FINAL POSITION; ARROW POINTS DOWNGRADE.  
ALL STIFFENER AND CONNECTION PLATE SPACINGS ARE GIVEN TO ± PLATE. ENDS OF STRINGERS TO BE VERTICAL IN FINAL POSITION.  
ALL STEEL TO BE AASHTO M270M GRADE 345W (U.N.).  
ALL FIELD CONNECTIONS TO BE MADE WITH 7/8" H.S. (AASHTO M164 TYPE 3) BOLTS IN 1 1/2" HOLES (U.N.).  
FIGURES GIVEN THUS: 110 ARE THE DIFFERENCES IN ELEVATIONS OF STRINGERS (IN THE PLANE OF THE DIAPHRAGM IN ERECTED POSITION) AT DIAPHRAGMS; ARROW POINTS TOWARD LOW STRINGER.  
ALL STATIONS ARE GIVEN IN METERS.

NOTE:  
THE PURPOSE OF THIS DRAWING IS TO COORDINATE GEOMETRIC CONTROL INFORMATION. THIS DRAWING IS SUBMITTED FOR INFORMATION ONLY AND IS NOT INTENDED FOR SHOP FABRICATION. THIS DRAWING IS FOR REFERENCE ONLY, APPROVAL IS NOT REQUIRED.

RECEIVED  
CHK'D BY: *MB* OK'D BY: \_\_\_\_\_  
AUG 21 2006  
RESUBMIT: \_\_\_\_\_ APPROVED: *A. H. H.*  
BY: *WJH* DATE: 9/13/06

NO.	REVISION	BY	DATE
<p>1770 Hensford Road Lancaster, PA 17605-0008 Phone 717/293-5228</p> <p><b>HIGH STEEL STRUCTURES, INC.</b></p> <p>WORKSHEET - CALCULATION PLAN &amp; LAYOUTS VT 17 OVER MILL BROOK VT 17 STA. 0+944.700 TO STA. 0+968.560 TOWN OF FALSTON, WASHINGTON COUNTY, VT STATE OF VERMONT AGENCY OF TRANSPORTATION</p>			
<p>STATE CONTRACT OR REF. NO. BRIDGE NO. 36</p> <p>CONTRACTOR WINTERSSET, INC.</p> <p>IN CHARGE: CHRISTMAN (IH) MADE BY: ERS CHK'D BY: MCK DATE: 8-4-06</p> <p>CONTRACT NUMBER: VT-06062-1&amp;2 DRAWING NUMBER: WS1 OF WS1</p>			

FAYSTON