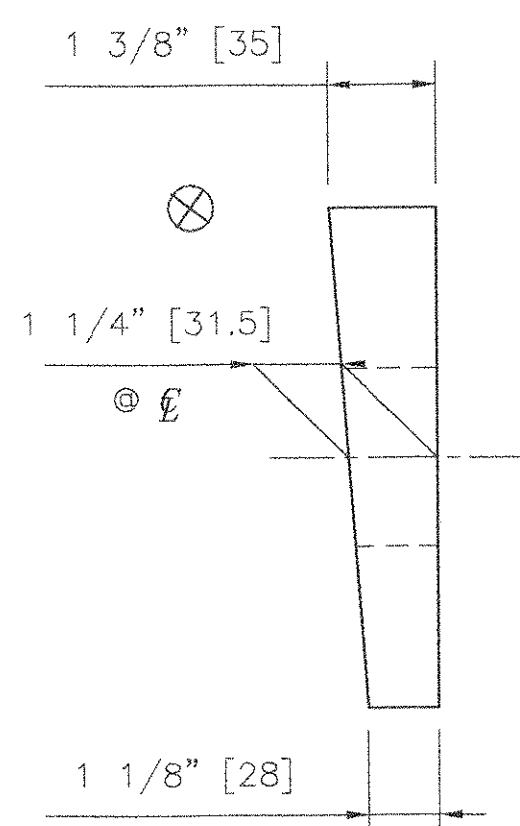


PLAN



SIDE ELEVATION
BEVELED SOLE PLATE ONLY

BEARING NOTES:

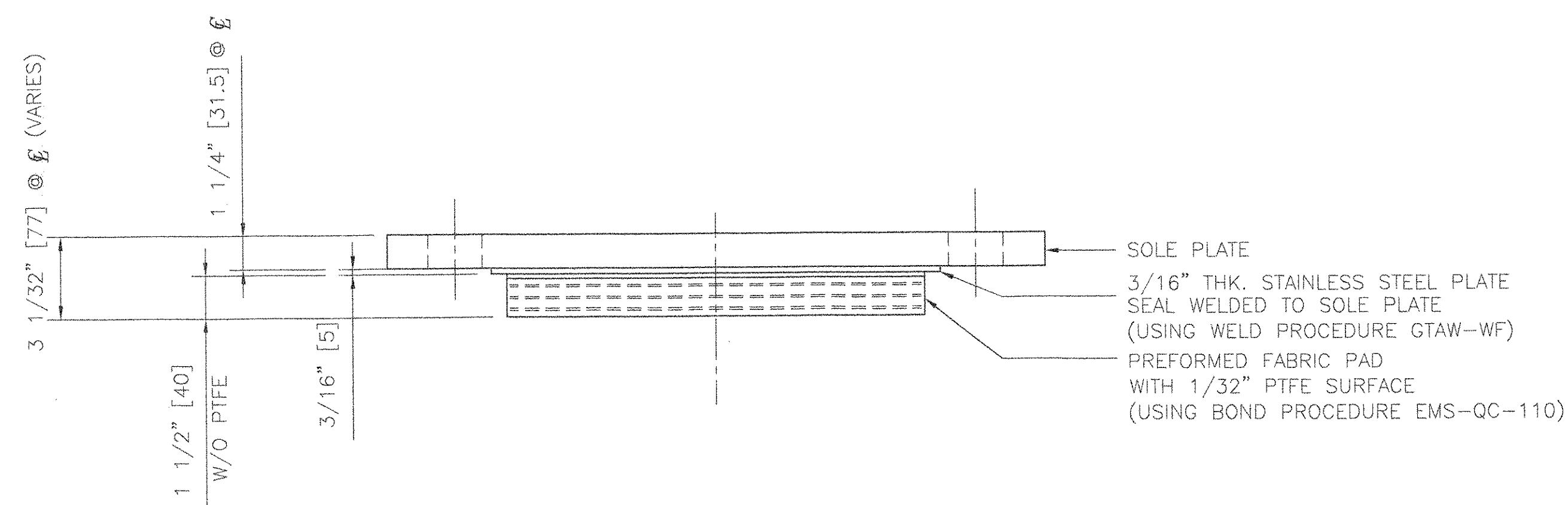
- ANCHOR BOLTS AND ASSOCIATED HARDWARE SHALL BE GALVANIZED IN ACCORDANCE WITH ASTM A153 OR A123 AS APPLICABLE.
- LOCATION OF FABRICATION - 70 SOUTH STREET
WALPOLE, MA 02081
- COSMEC, INC. REPRESENTATIVE: MR. MATT McANDREWS
(508-668-6600)
- ⊗ MARKS THE THICK END OF SOLE PLATE.
- MAXIMUM ALLOWABLE BEARING PRESSURE ON CONCRETE= 6.9 MPa
MINIMUM ALLOWABLE DESIGN ROTATION= 0.015 RADIANS
HORIZONTAL CAPACITY SHALL BE A MINIMUM OF 8% VERTICAL LOAD
DESIGN LOAD PER BEARING: 476 kN [107 KIPS]
- ALL EDGES OF STEEL PLATES SHALL HAVE 1/16" MINIMUM RADIUS

MATERIALS:

STEEL - AASHTO M-270 GR 36 ZINC METALIZED
 PREFORMED FABRIC PAD - AASHTO 18.4.9.1 DIV.II
 ANCHOR BOLTS - ASTM F1554 GR 55 GALVANIZED

ALL BEARING DEVICES SHALL BE ZINC METALIZED AS PER SUBSECTION 531.04(b) AND 506.15(b). BEARINGS SHALL BE SEALED WITH AN APPROVED SEALER AS SPECIFIED IN STANDARD SPEC. SUBSECTION 506.15(b). AREAS OF METALIZING DAMAGED BY FIELD WELDING OR HANDLING SHALL BE PAINTED WITH AN APPROVED SEALANT.

ASTM A563 HEAVY HEX NUT, GALV. EXPANSION BEARING NUTS ARE TO BE DRWAN UP FINGER TIGHT AND THEN BACKED OFF 3/16" [5]



FRONT ELEVATION



ANCHOR BOLT DETAIL
(SIDE VIEW)

COSMEC EXPANSION ELASTOMERIC BEARING

LOCATION:
ABUTMENT NO.1
TOTAL QUANTITY - 6

RECEIVED
 OK'D BY *[Signature]* DATE NOV 16 2006
 RESUBMIT _____ APPROVED _____
 BY *[Signature]* DATE 11/16/06

RECEIVED
 OK'D BY _____ DATE NOV 12 2006
 RESUBMIT _____ APPROVED _____
 BY _____ DATE _____

STATE OF VERMONT AGENCY OF TRANSPORTATION			
ROUTE NO. VT 17 (MAJOR COLLECTOR), BRIDGE NO. 36 TOWN OF FAYSTON WASHINGTON COUNTY PROJECT BHF-0200(9)			
COSMEC, INC.		70 SOUTH STREET WALPOLE, MA. 02081	
SCALE: 1/4"=1"	DRAWN BY: MAE	CHECKED BY: MRR	
	DATE: 8/15/06	DATE: 8/22/06	
COSMEC ELASTOMERIC BEARINGS			
CUSTOMER: WINTERSSET, INC.	S.O. NUMBER: 60642	DRAWING NUMBER: 4875	REV: 1

REV. 1	REVISED AS NOTED PER REVIEWERS COMMENTS	BY: MAE	DATE: 11/06	OK'D BY: MCM	DATE: 11/06
--------	---	---------	-------------	--------------	-------------