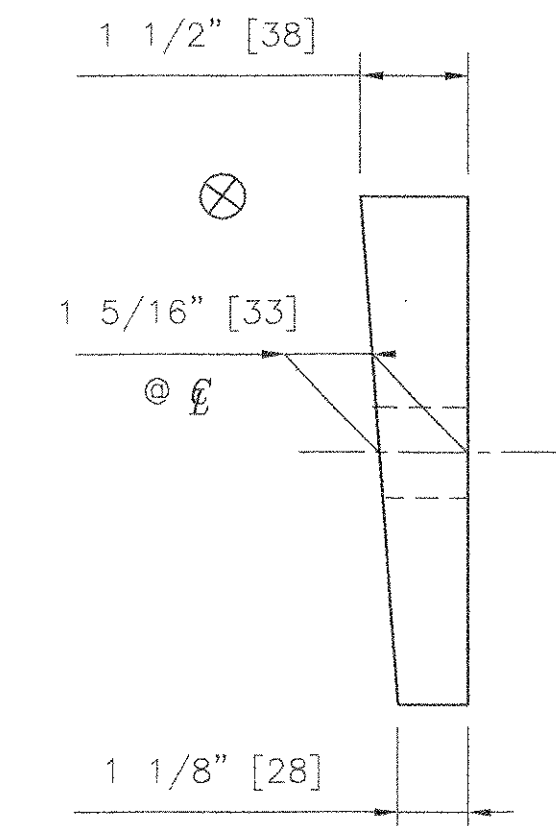


PLAN

STATION
AHEAD



SIDE ELEVATION
BEVELED SOLE PLATE ONLY

BEARING NOTES:

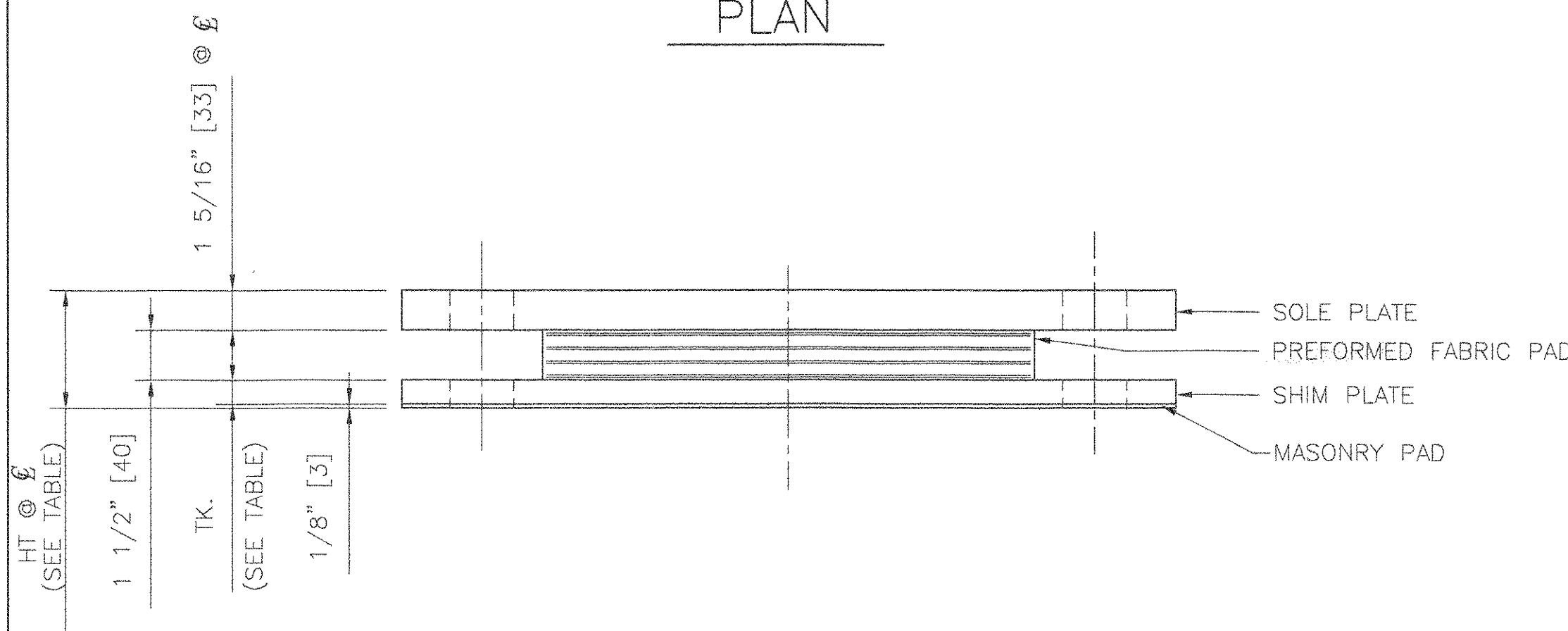
- ANCHOR BOLTS AND ASSOCIATED HARDWARE SHALL BE GALVANIZED IN ACCORDANCE WITH ASTM A153 OR A123 AS APPLICABLE.
- LOCATION OF FABRICATION - 70 SOUTH STREET WALPOLE, MA 02081
- COSMEC, INC. REPRESENTATIVE: MR. MATT McANDREWS (508-668-6600)
- ⊗ MARKS THE THICK END OF SOLE PLATE.
- MAXIMUM ALLOWABLE BEARING PRESSURE ON CONCRETE= 6.9 MPa
MINIMUM ALLOWABLE DESIGN ROTATION= 0.015 RADIANS
HORIZONTAL CAPACITY SHALL BE A MINIMUM OF 6% VERTICAL LOAD
DESIGN LOAD PER BEARING: 476 kN [107 KIPS]
- ALL EDGES OF STEEL PLATES SHALL HAVE 1/16" MINIMUM RADIUS
- UNITS= INCHES [MM]

MATERIALS:

STEEL - AASHTO M-270 GR 36 ZINC METALIZED
 PREFORMED FABRIC PAD - AASHTO 18.4.9.1 DIV.II
 ANCHOR BOLTS - ASTM F1554 GR 55 GALVANIZED

ALL BEARING DEVICES SHALL BE ZINC METALIZED AS PER SUBSECTION 531.04(b) AND 506.15(b). BEARINGS SHALL BE SEALED WITH AN APPROVED SEALER AS SPECIFIED IN STANDARD SPEC. SUBSECTION 506.15(b). AREAS OF METALIZING DAMAGED BY FIELD WELDING OR HANDLING SHALL BE PAINTED WITH AN APPROVED SEALANT.

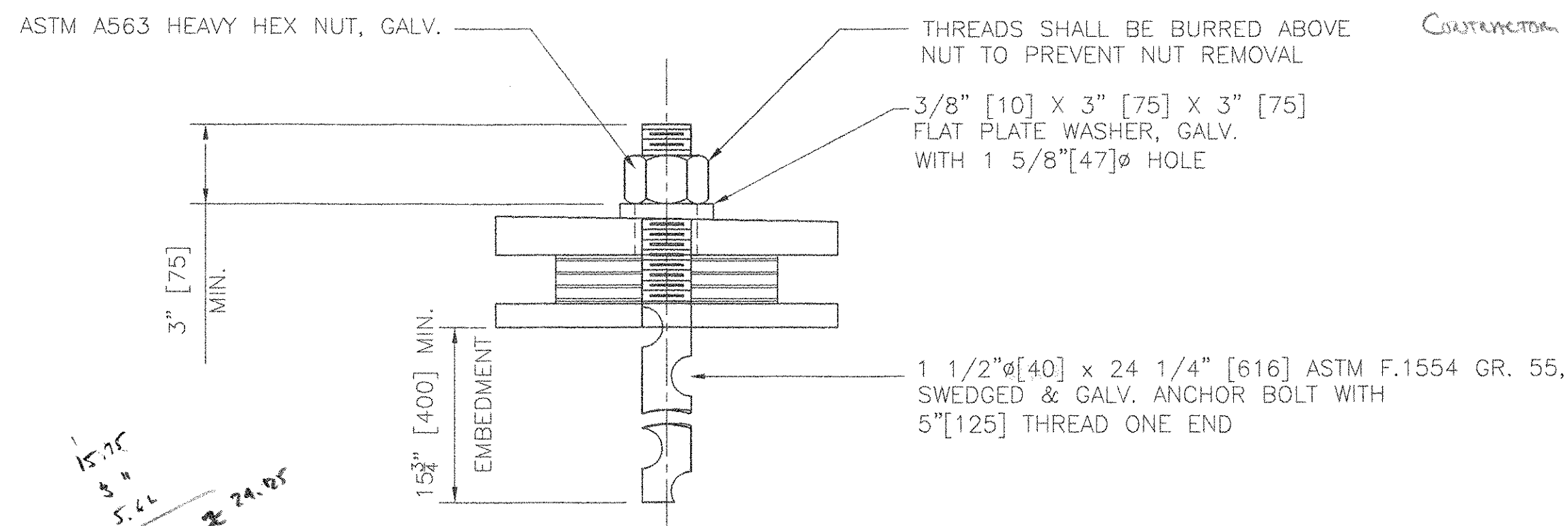
NOTE: PER CONTRACT SHEET NO.19 BEARING NOTE 6 THE CONTRACTOR MUST FIELD VERIFY EXISTING BRG. SEAT ELEVATIONS TO ACCURATELY DETERMINE SHIM PLATE THICKNESSES.



FRONT ELEVATION

COSMEC FIXED ELASTOMERIC BEARING

LOCATION:
 ABUTMENT NO.2 BEAMS 1-5
 TOTAL QUANTITY - 5



ANCHOR BOLT DETAIL
(SIDE VIEW)

#3 Provided by Contractor

SHIM PLATE THICKNESS & BEARING HEIGHT		
BEAM	TK.	HT @ E
1	2-68" [88] [45]	5-62" [143] [2]
2	2-06" [52] [19]	4-99" [127] [95]
3	2-17" [56] [32]	5-11" [130] [105]
4	2-32" [56] [26]	5-26" [134] [102]
5	2-09" [53] [30]	5-03" [128] [104]
6	SHIM PLATE NOT REQUIRED	

PLEASE VERIFY
 THIS FROM
 CONTRACTOR

STATE OF VERMONT
 AGENCY OF TRANSPORTATION
 ROUTE NO. VT 17 (MAJOR COLLECTOR),
 BRIDGE NO. 36
 TOWN OF FAYSTON
 WASHINGTON COUNTY
 PROJECT BHF-0200(9)

RECEIVED
 NOV 16 2006
 CK'D BY: V/H6 OK'D BY: _____
 RESUBMIT APPROVED: A.S. Nold
 BY: WJ/SJ DATE: 11/16/06

COSMEC, INC. 70 SOUTH STREET WALPOLE, MA. 02081
 SCALE: 1/4"=1" DRAWN BY: MAE CHECKED BY: MRR
 DATE: 8/15/06 DATE: 8/22/06

REV	REVISION	BY	DATE	OK'D BY	DATE	CUSTOMER	S.O. NUMBER	DRAWING NUMBER	REV
1	REVISED AS NOTED PER REVIEWERS COMMENTS	MAE	11/06	MCM	11/06	WINTERSSET, INC.	60642	4876	1

075 bb