

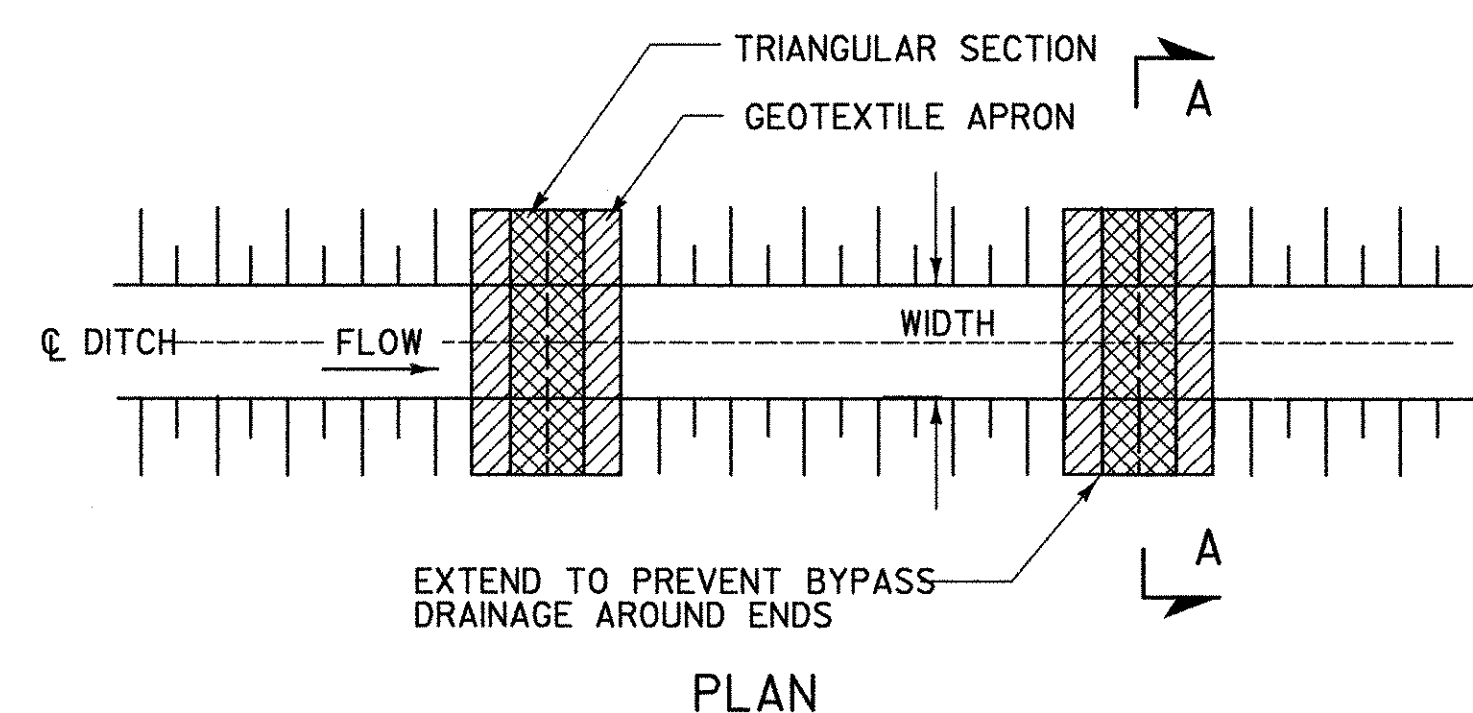
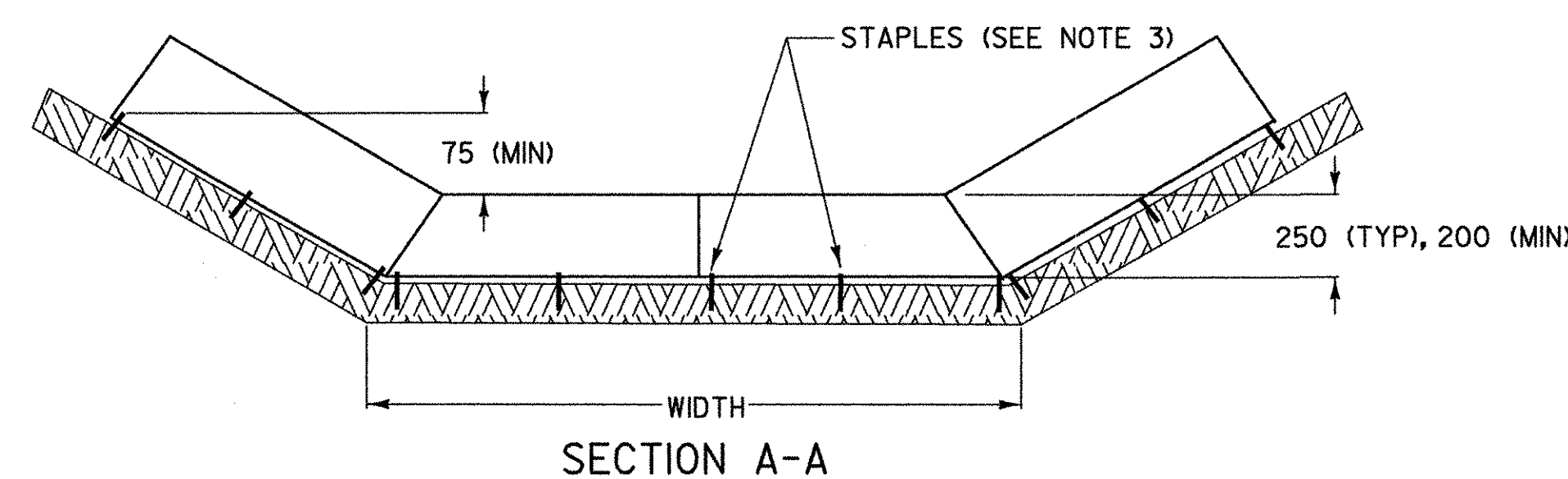
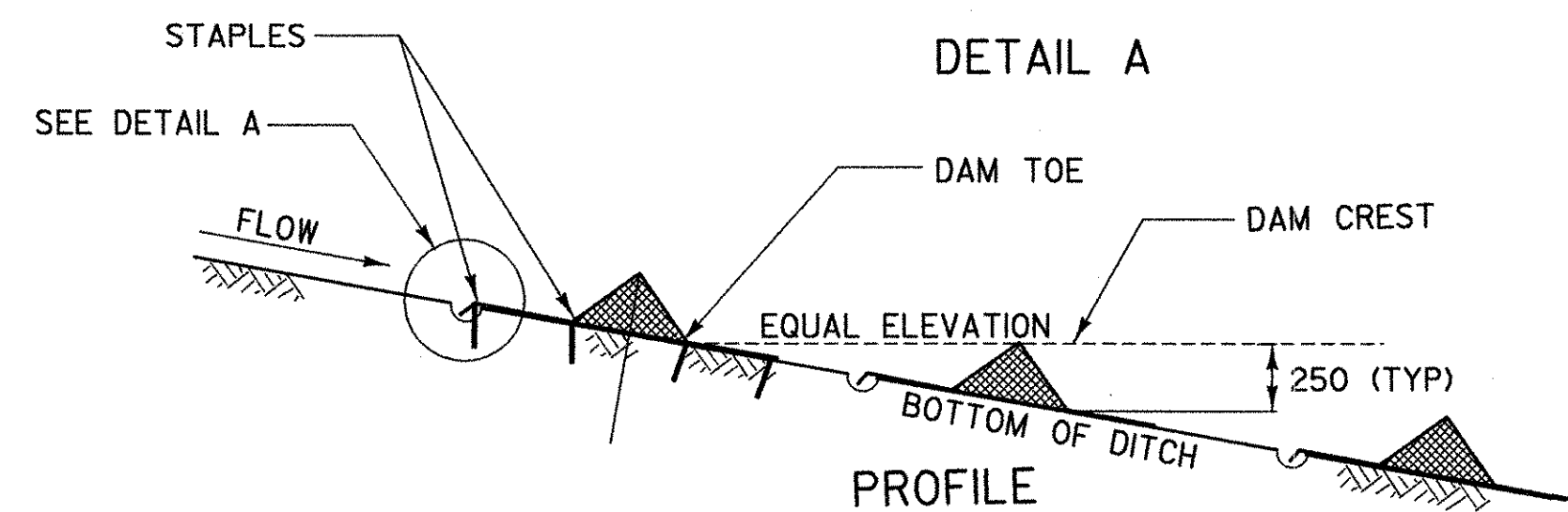
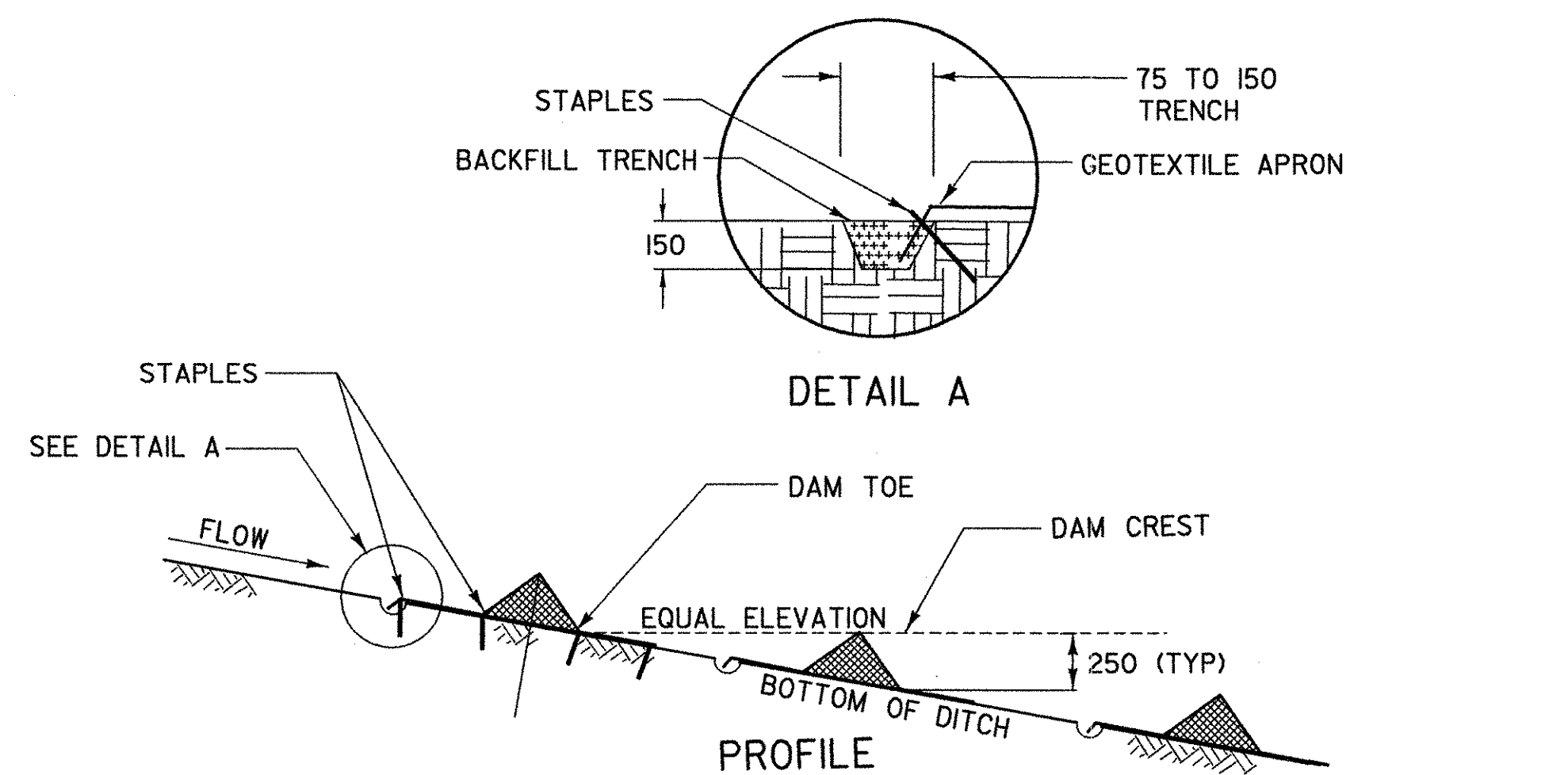
CHECK DAMS

APPLICATION NOTES:

- A. THE PRIMARY PURPOSE OF A CHECK DAM IS TO REDUCE EROSION IN A CHANNEL BY REDUCING FLOW VELOCITY.
- B. CHECK DAMS WILL CAPTURE SEDIMENT THAT FALLS OUT OF SUSPENSION BEHIND THE CHECK DAM DUE TO DECREASED VELOCITY.
- C. CHECK DAMS ARE NOT INTENDED TO FILTER SEDIMENT FROM TURBID WATER.
- D. DETAILS SHOWN SHALL BE USED FOR TEMPORARY INSTALLATION ONLY.
- E. PREFABRICATED DAMS ARE NOT TO BE USED ON SLOPES GREATER THAN 5% OR PER MANUFACTURER'S SPECIFICATIONS.
- F. PREFABRICATED DAM SPECIFICATIONS SHALL BE PROVIDED TO THE ENGINEER FOR APPROVAL PRIOR TO USE.

GENERAL NOTES:

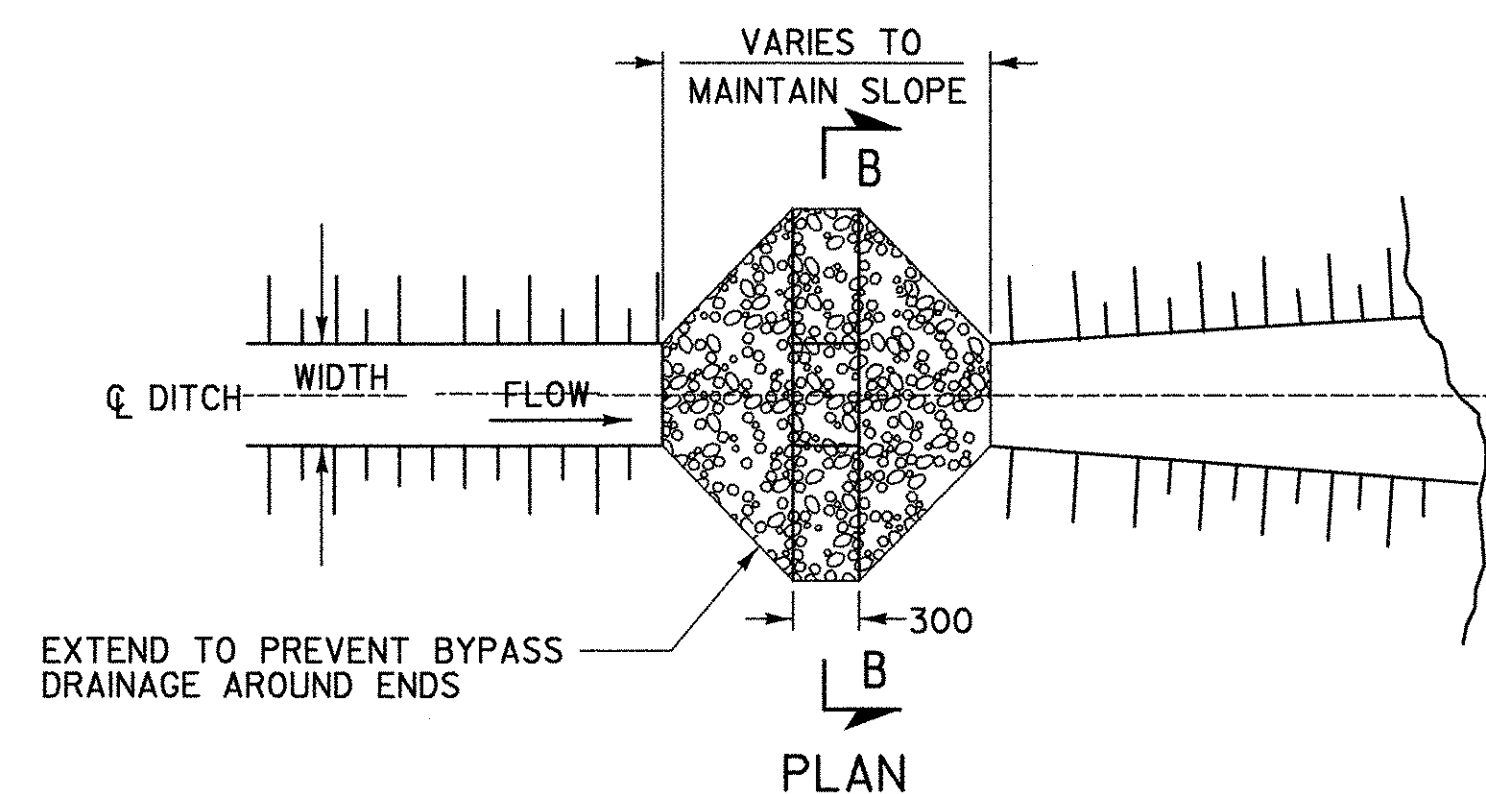
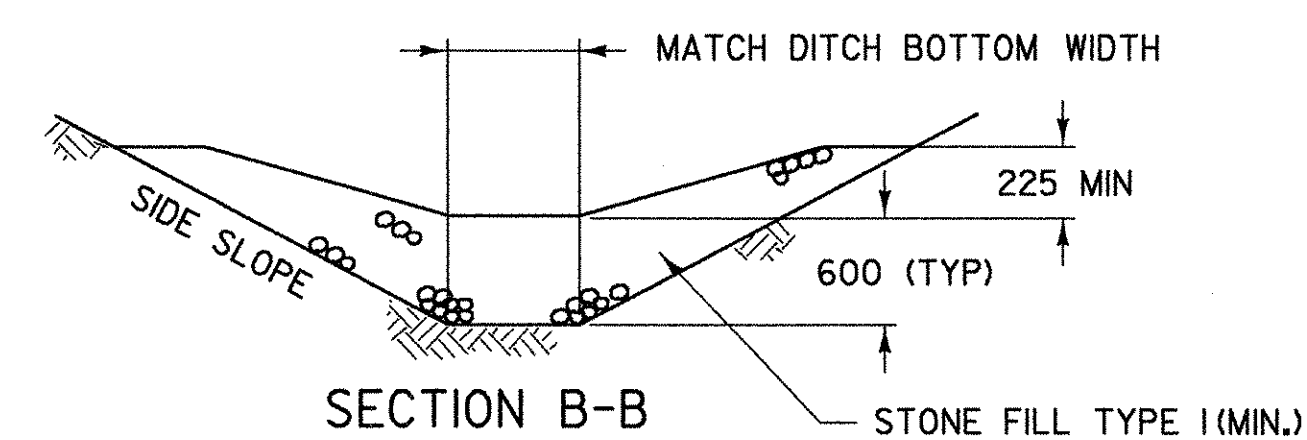
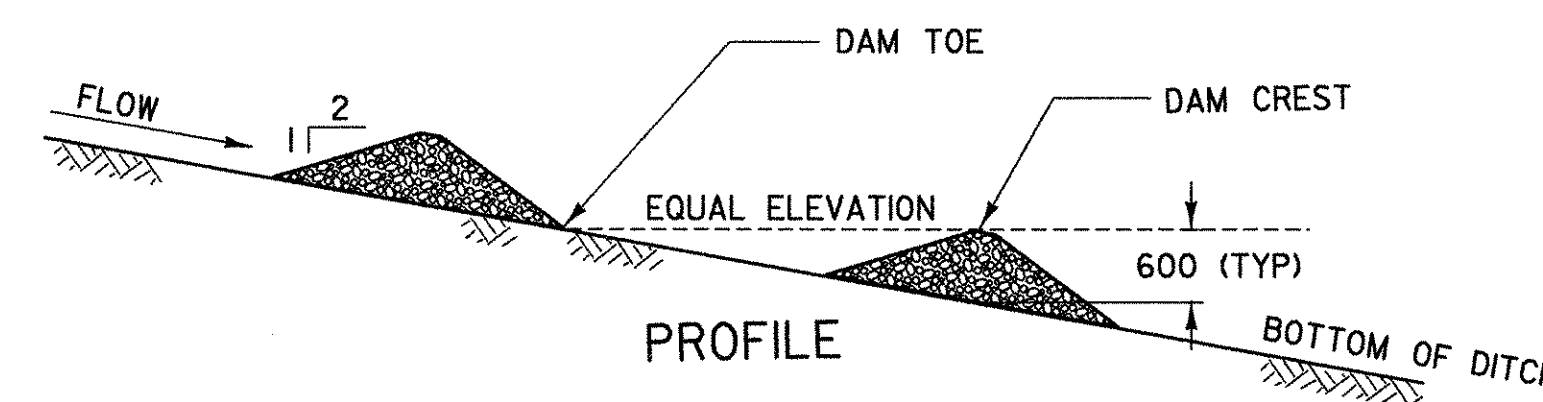
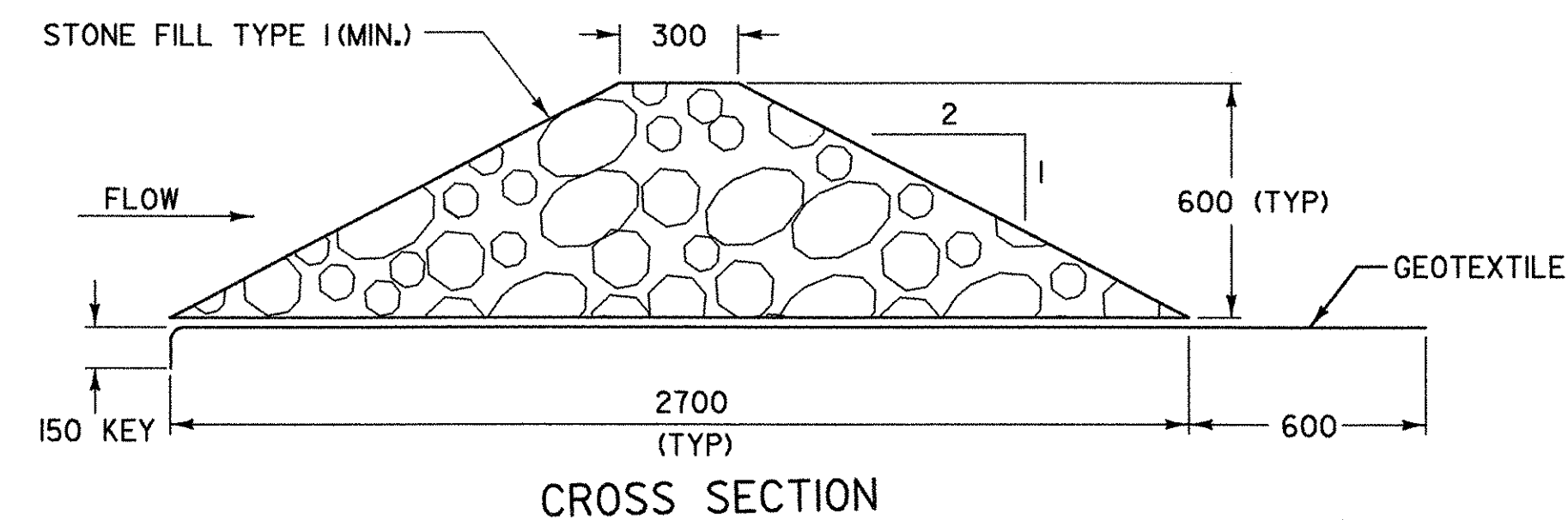
1. GEOTEXTILE SHALL BE INSTALLED UNDER STONE FILL. IT SHALL BE KEYED IN ON THE UP HILL END AND SHALL EXTEND 0.6 m BEYOND THE STONE ON THE DOWN HILL END.
2. CORE MATERIAL FOR THE STONE CHECK DAM SHALL MEET THE GRADATION REQUIREMENTS OF STONE FILL TYPE I (MIN.). STONE SIZE SHOULD BE INCREASED WITH INCREASED SLOPE AND VELOCITY.
3. THE UPHILL END OF THE APRON FOR THE PREFABRICATED CHECK DAM SHALL BE STAPLED AND BURIED AS SHOWN IN DETAIL 'A' OR AS RECOMMENDED BY THE MANUFACTURER'S LITERATURE.
4. MEASURES SHALL BE INSPECTED EVERY SEVEN (7) CALENDAR DAYS AND WITHIN 24 HOURS OF A STORM EVENT GREAT ENOUGH TO CAUSE WATER TO LEAVE THE CONSTRUCTION SITE.
5. MEASURES SHALL BE CLEANED AND REPAIRED AS NEEDED. SEDIMENT SHALL BE REMOVED WHEN ACCUMULATION REACHES ONE-HALF OF THE MEASURE HEIGHT. SEDIMENT SHALL BE DISPOSED OF AS UNSUITABLE MATERIAL.
6. AT TIME OF REMOVAL OF THE CHECK DAMS, THE DISTURBED AREA SHALL BE REPAIRED AND STABILIZED.
7. PAYMENT FOR INSTALLATION AND REMOVAL OF CHECK DAMS SHALL BE MADE UNDER APPLICABLE ITEMS INCLUDED IN THE CONTRACT PLANS OR UNDER THE FIELD MAINTENANCE OF EROSION & SEDIMENT CONTROL PLAN ITEM.
8. PAYMENT FOR MONITORING CHECK DAMS SHALL BE MADE UNDER THE MONITORING EROSION & SEDIMENT CONTROL PLAN ITEM.
9. PAYMENT FOR MAINTAINING CHECK DAMS SHALL BE MADE UNDER THE FIELD MAINTENANCE OF EROSION & SEDIMENT CONTROL PLAN ITEM, UNLESS MAINTENANCE IS REQUIRED DUE TO POOR INSTALLATION PRACTICES.



CHECK DAM - TEMPORARY (PREFABRICATED)

PREFABRICATED CHECK DAM PLACEMENT INTERVAL	
DITCH SLOPE	PLACEMENT INTERVAL **
1 %	15 m
2 %	12 m
3 %	8 m
4 %	6 m
5 %	5 m

** BASED ON 0.25 m TYPICAL HEIGHT



CHECK DAM - TEMPORARY (STONE)

STONE CHECK DAM PLACEMENT INTERVAL	
DITCH SLOPE	PLACEMENT INTERVAL **
1 %	60 m
2 %	30 m
3 %	20 m
4 %	15 m
5 %	12 m
6 %	10 m
8 %	7.5 m
10 %	6 m

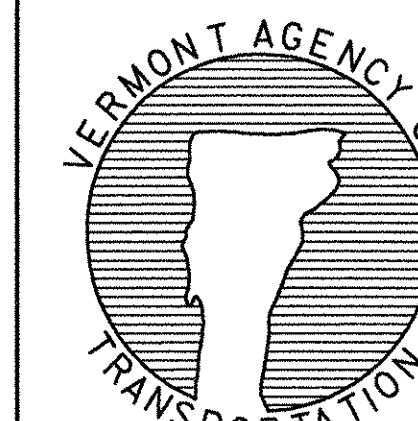
** BASED ON 0.6 m TYPICAL HEIGHT

NOTE: ALL DIMENSIONS ARE IN MILLIMETERS (mm) EXCEPT WHERE NOTED.

REVISIONS AND CORRECTIONS
MAY 15, 2004 N. GARBACK

Metric
DETAIL
EPSC-2M

EROSION PREVENTION &
SEDIMENT CONTROL DETAILS
CHECK DAMS



STATE OF VERMONT AGENCY OF TRANSPORTATION

Town Of	FAYSTON	Bridge No.	36
Highway No.	VT 17	Log Sta.	
		Surv. Sta.	
VT 17 OVER MILL BROOK			
EPSC-2M			
Designed By	VTRANS	Drawn By	B. J. MASSE
Checked By	VTRANS	Date	
		Bridge Design Supervisor	M. A. COLGAN
PROJECT	FAYSTON	Date	12/05
		PROJECT NO.	BHF 0200 (9)
I.G.C. Info.			
Bridge Sheet No.		Sheet	50 of 70