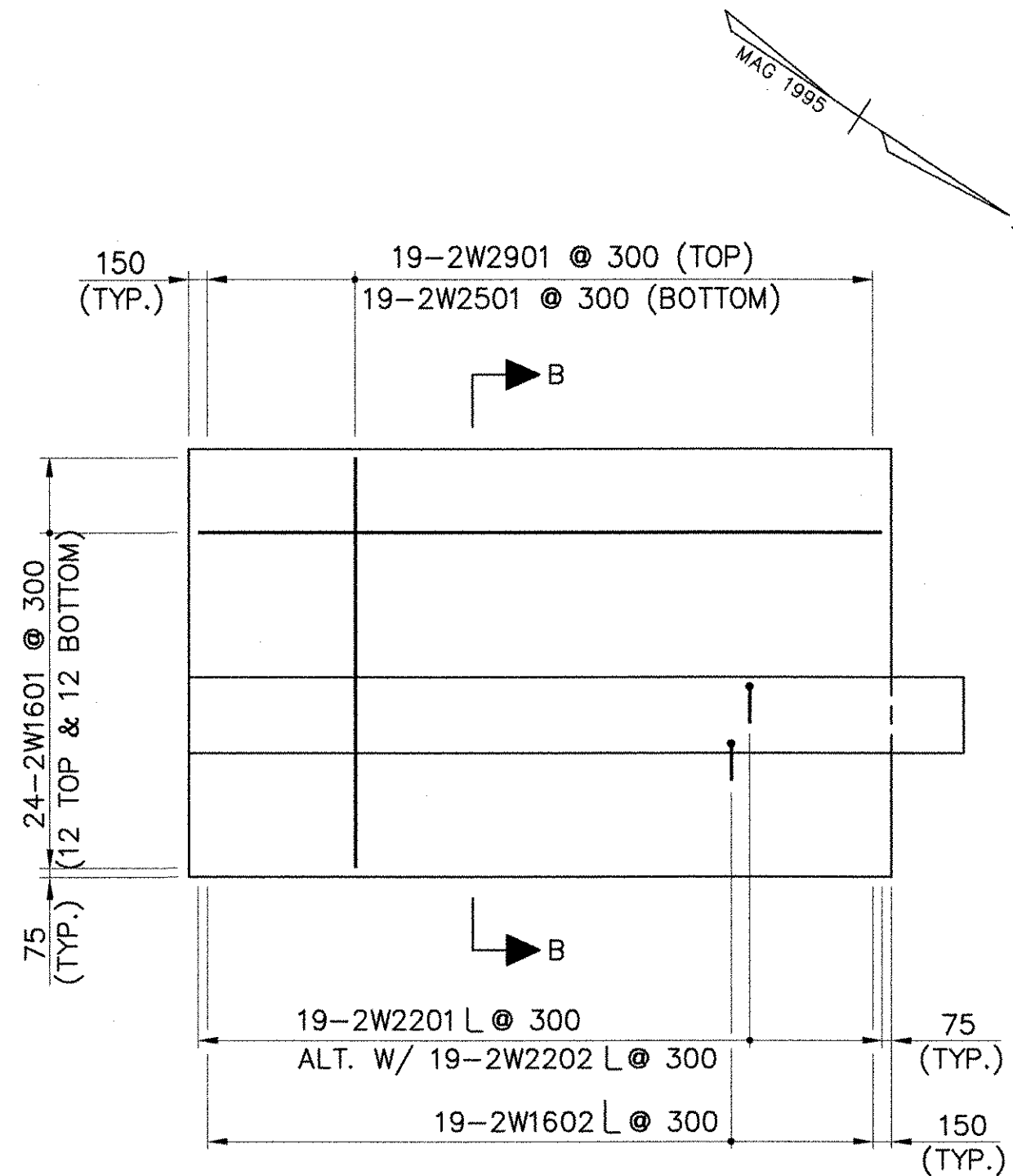
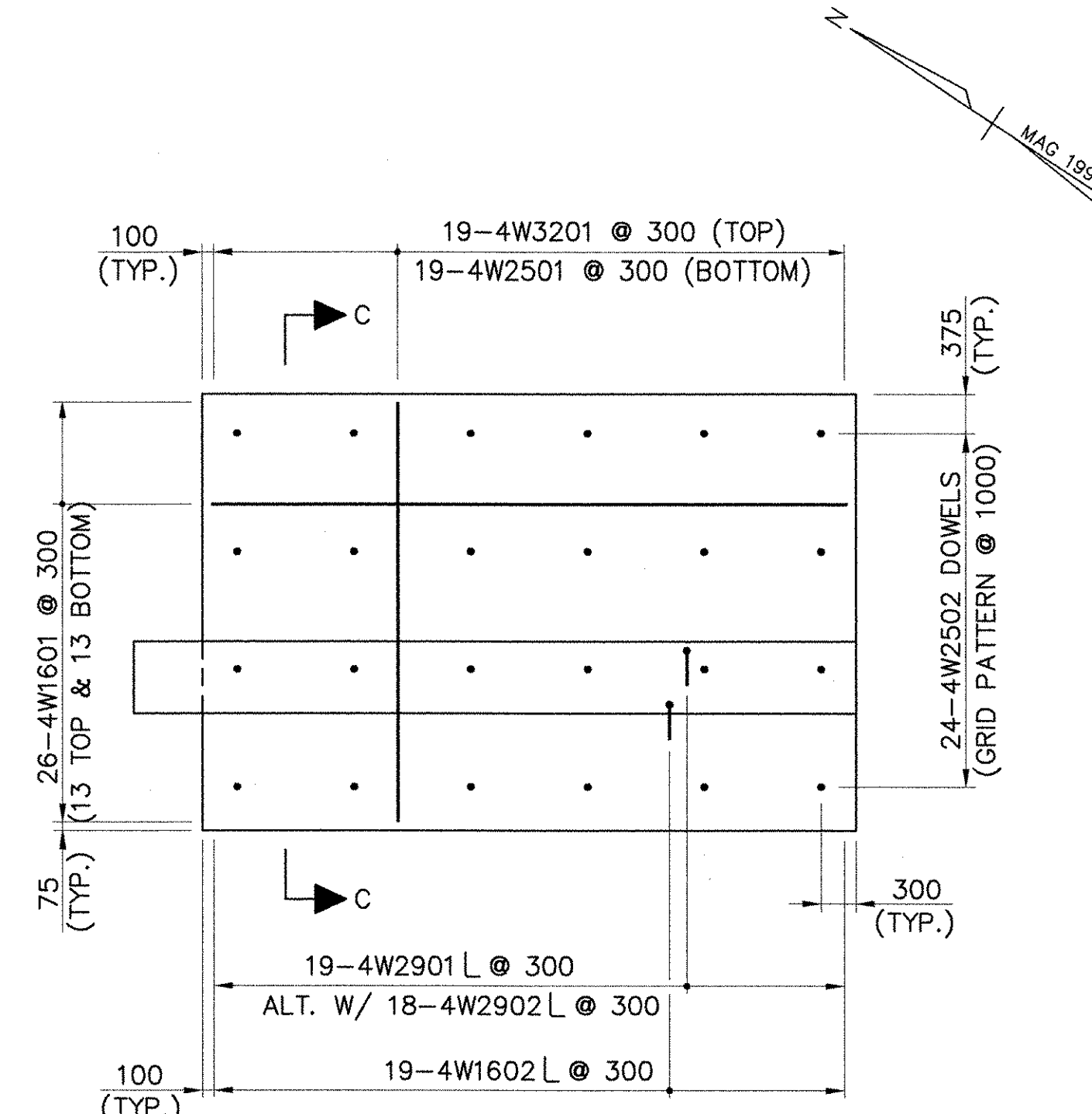


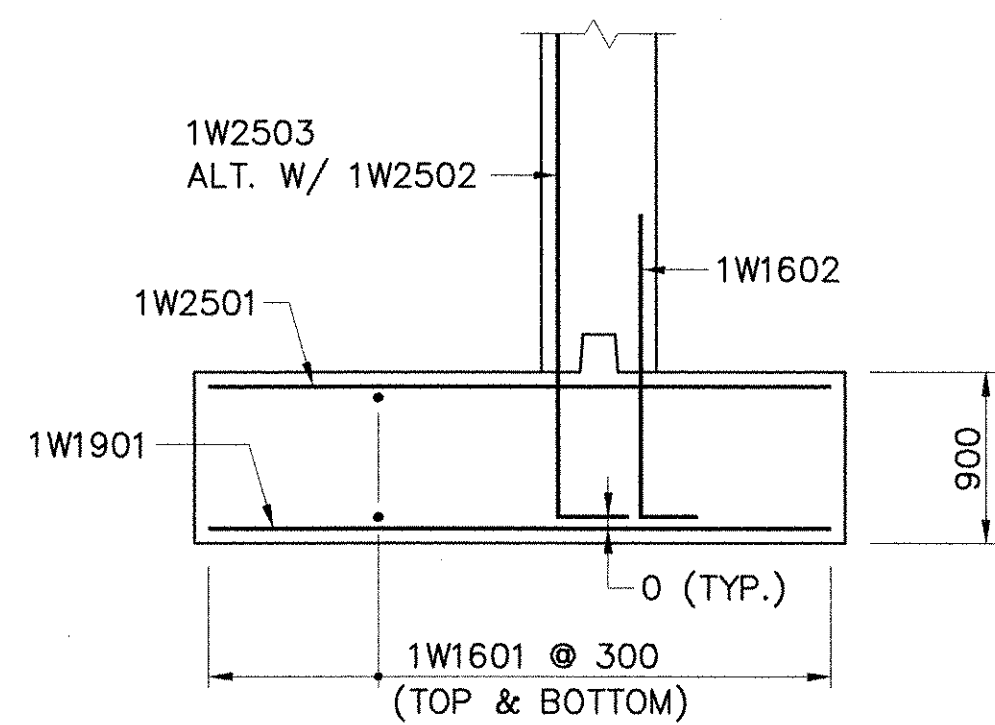
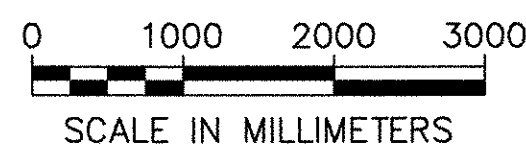
WINGWALL NO. 1
FOOTING REINFORCING
SCALE: 1:50



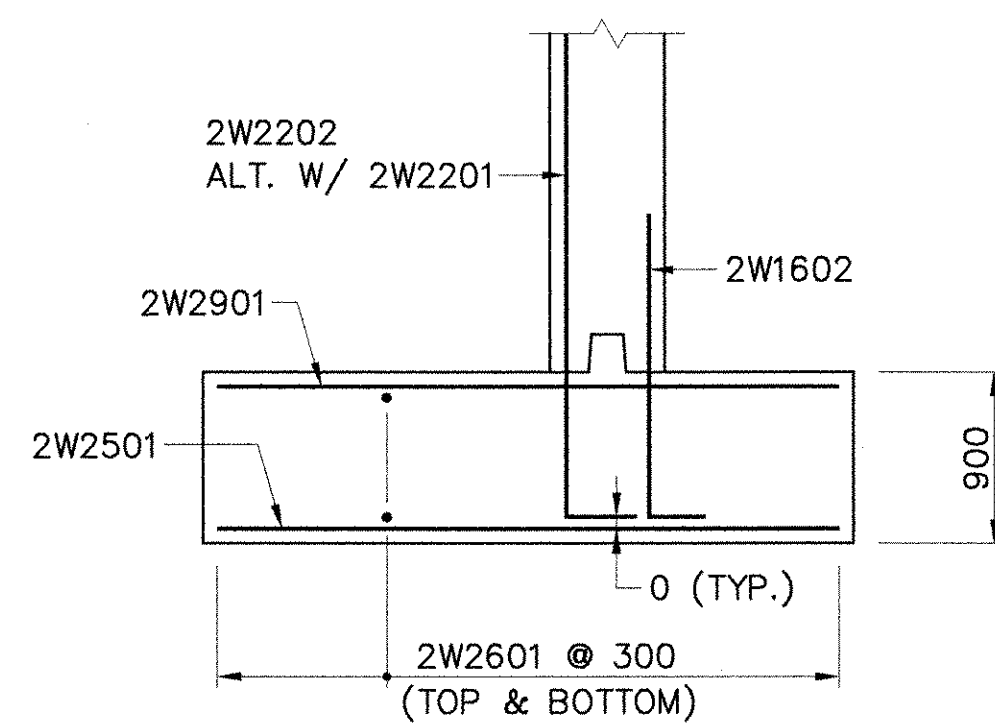
WINGWALL NO. 2
FOOTING REINFORCING
SCALE: 1:50



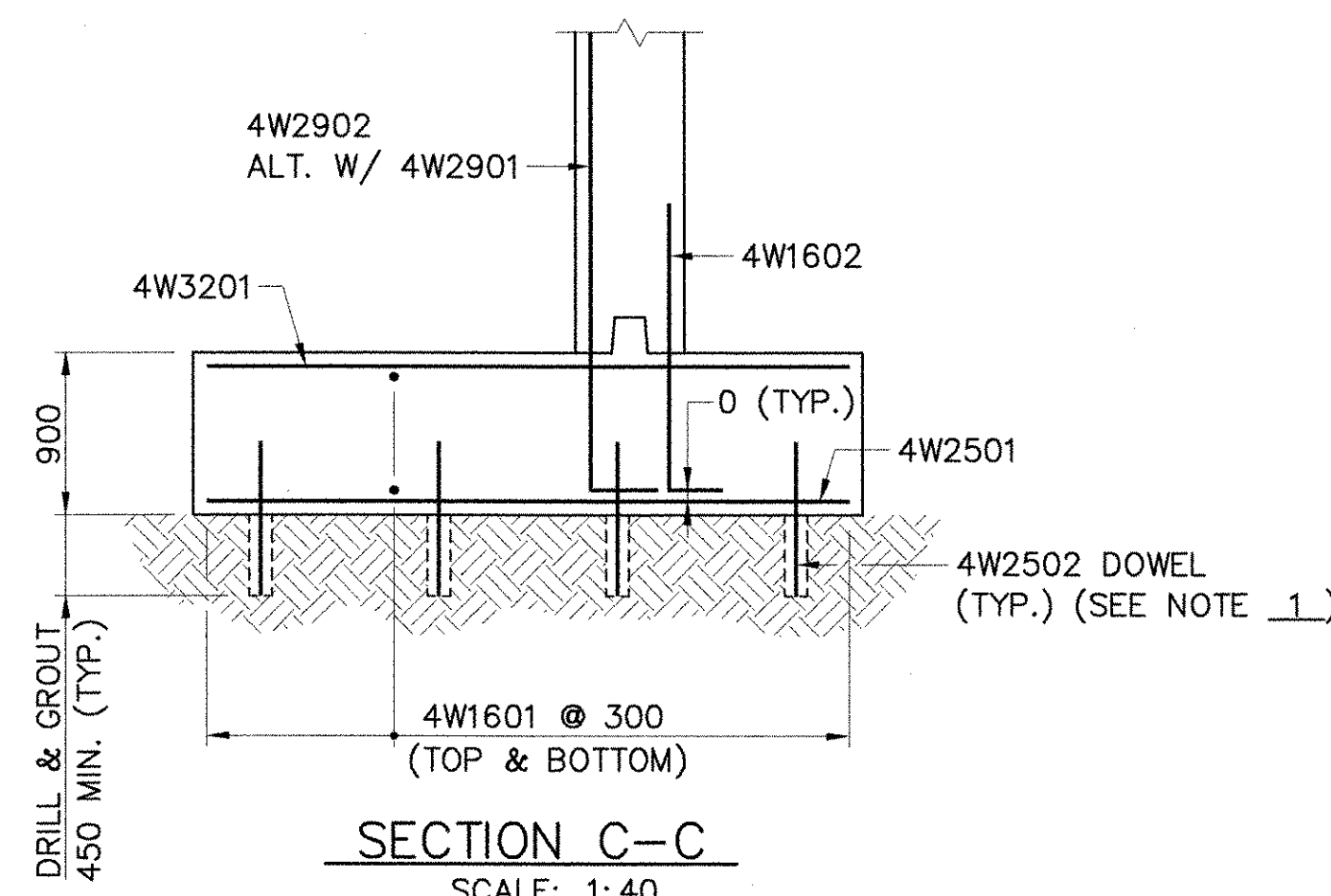
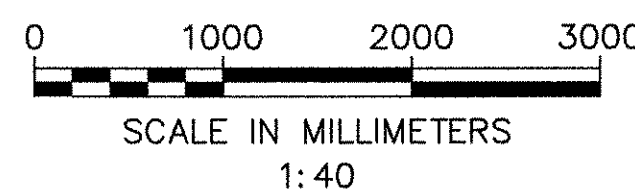
WINGWALL NO. 4
FOOTING REINFORCING
SCALE: 1:50



SECTION A-A
SCALE: 1:40



SECTION B-B
SCALE: 1:40



SECTION C-C
SCALE: 1:40

NOTE:
1. SEE SHEET 19 FOR FOUNDATION NOTES.

STATE OF VERMONT	
AGENCY OF TRANSPORTATION	
Town Of FAYSTON	Bridge No. 36
Highway No. VT 17	Log Sta.
	Surv. Sta.
VT 17 OVER MILL BROOK	
WINGWALL FOOTINGS	
Designed By M.A. COLGAN	Drawn By B.J. MASSE
Checked By S.M. SAREAULT	Bridge Design Supervisor M.A. COLGAN
PROJECT FAYSTON	PROJECT NO. BHF 0200(9)
I.G.C. Info.	
Bridge Sheet No. 50543WWR	Sheet 31 of 70