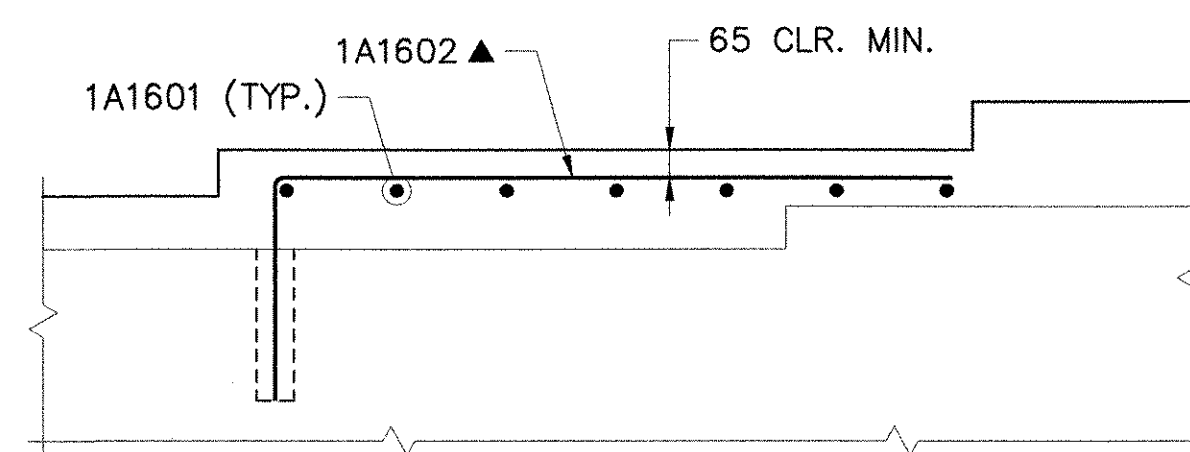
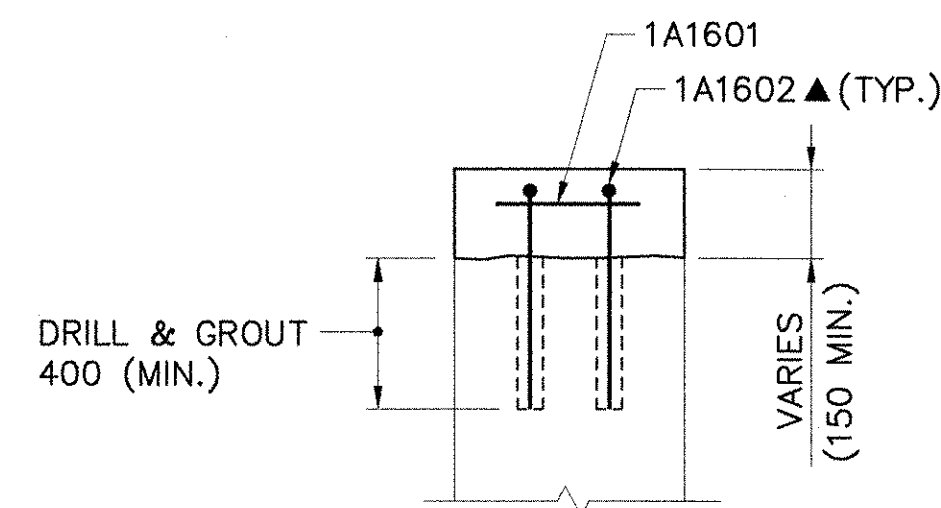


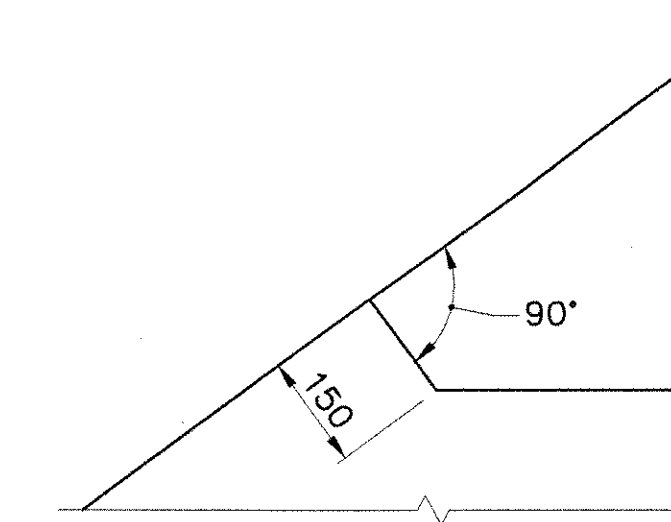
PLAN



ELEVATION

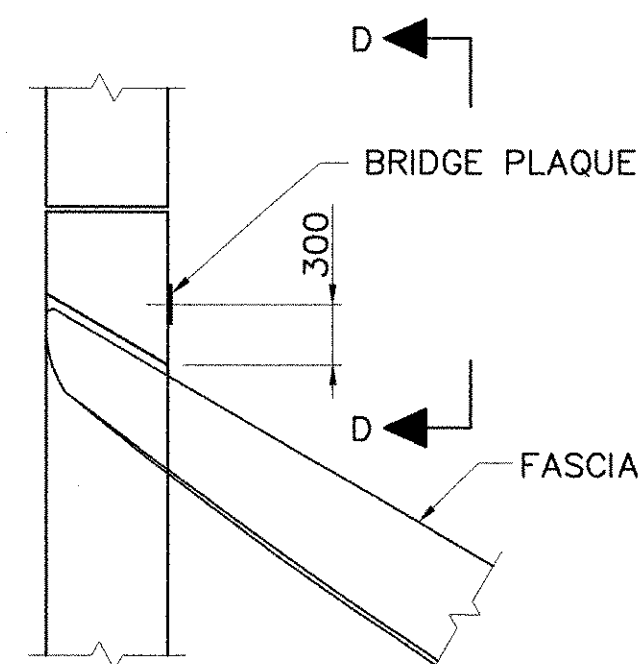


SECTION A-A

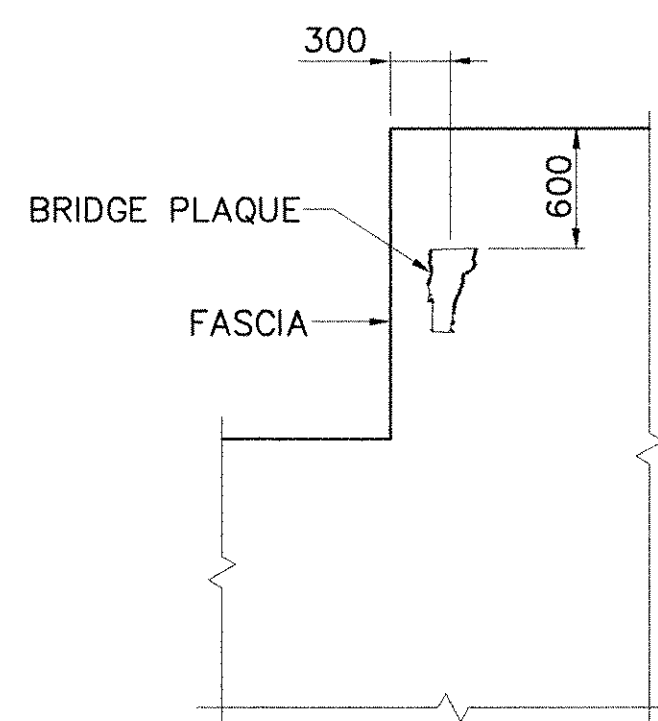


DETAIL B
N.T.S.

DETAIL C
SCALE: 1:20



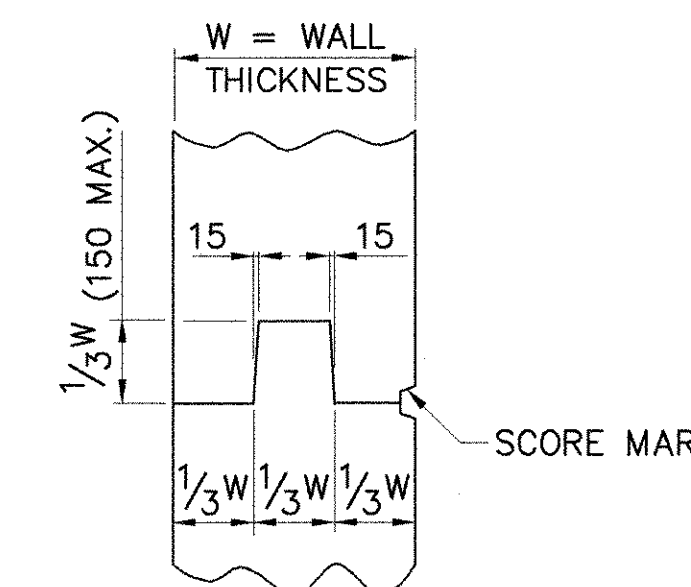
PLAN



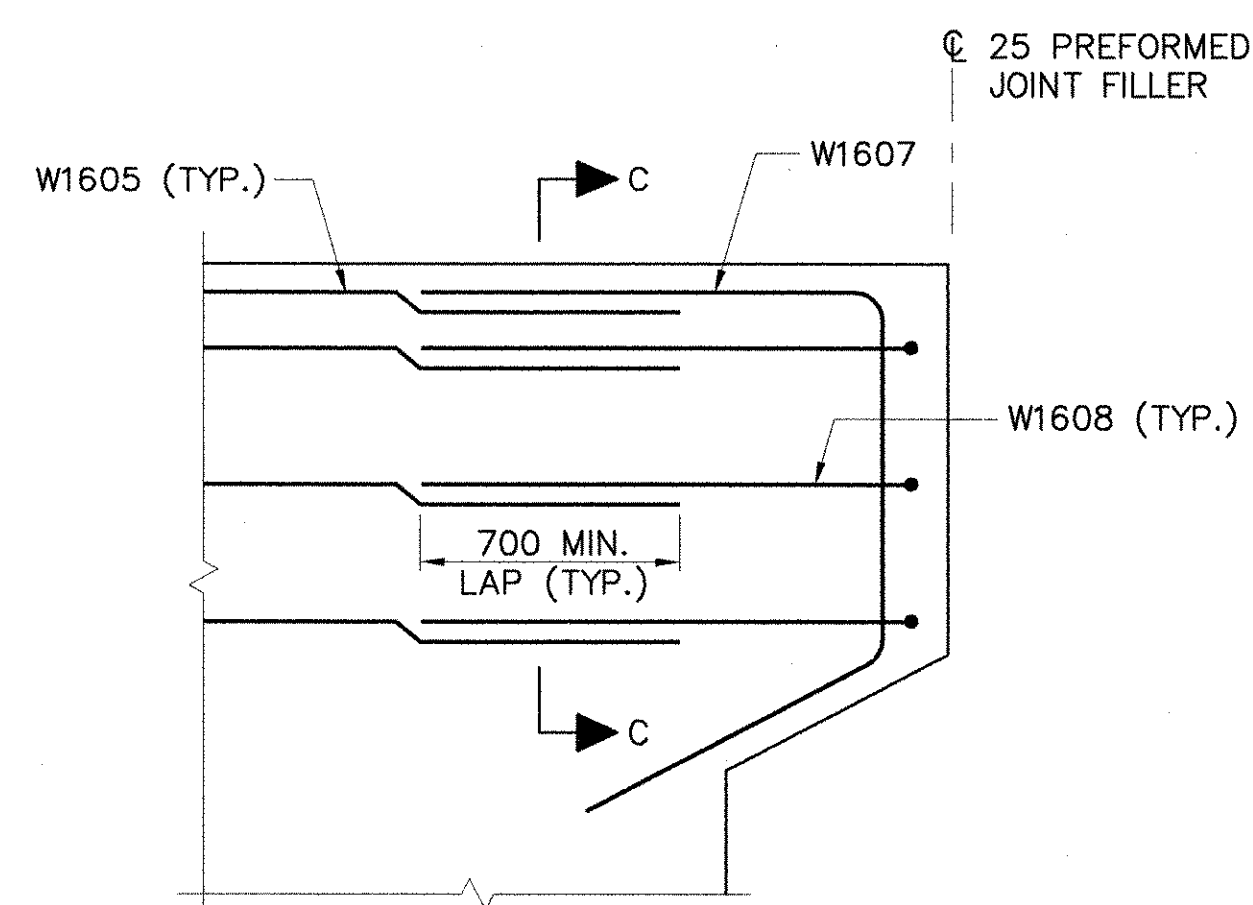
VIEW D-D

THE BRIDGE PLAQUE SHALL BE INSTALLED BY THE CONTRACTOR AT WINGWALL NO. 1 AS SHOWN OR AS DIRECTED BY THE RESIDENT ENGINEER.

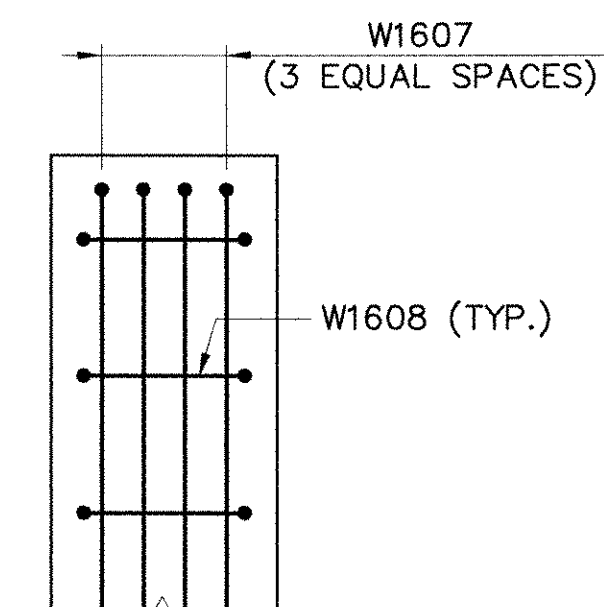
BENCH MARK AND BRIDGE PLAQUE LOCATION
N.T.S.



TYPICAL CONCRETE CONSTRUCTION JOINT
N.T.S.

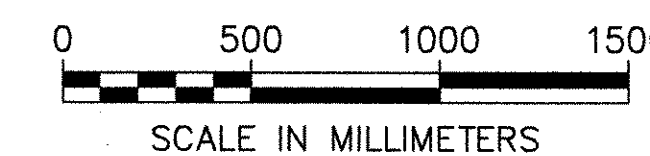


DETAIL A
SCALE: 1:20



SECTION C-C
SCALE: 1:20

- KEY:**
 N.F. - NEAR FACE
 F.F. - FAR FACE
 E.F. - EACH FACE
 ▲ - CUT TO FIT IN FIELD



**STATE OF VERMONT
AGENCY OF TRANSPORTATION**

Town Of	FAYSTON	Bridge No.	36
Highway No.	VT 17	Log Sta.	
		Surv. Sta.	

VT 17 OVER MILL BROOK

SUBSTRUCTURE DETAILS			
Designed By	M.A. COLGAN	Drawn By	B.J. MASSE
Checked By	S.M. SAREAULT	Date	1/06
		Bridge Design Supervisor	M.A. COLGAN Date 1/06
PROJECT	FAYSTON	PROJECT NO.	BHF 0200(9)
I.G.C. Info.	Bridge Sheet No. 50543SD	Sheet	30 of 70