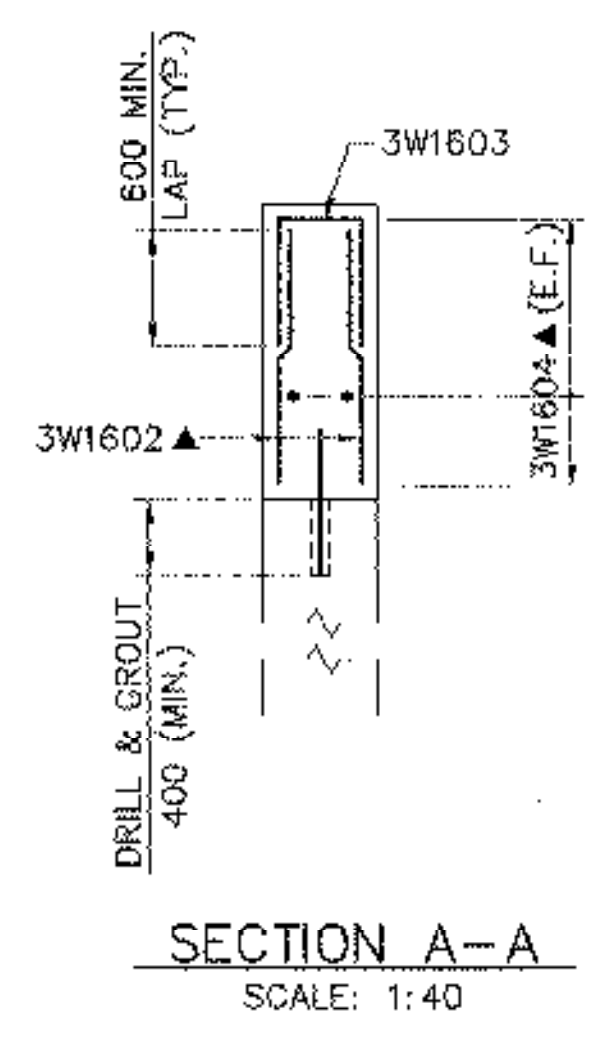
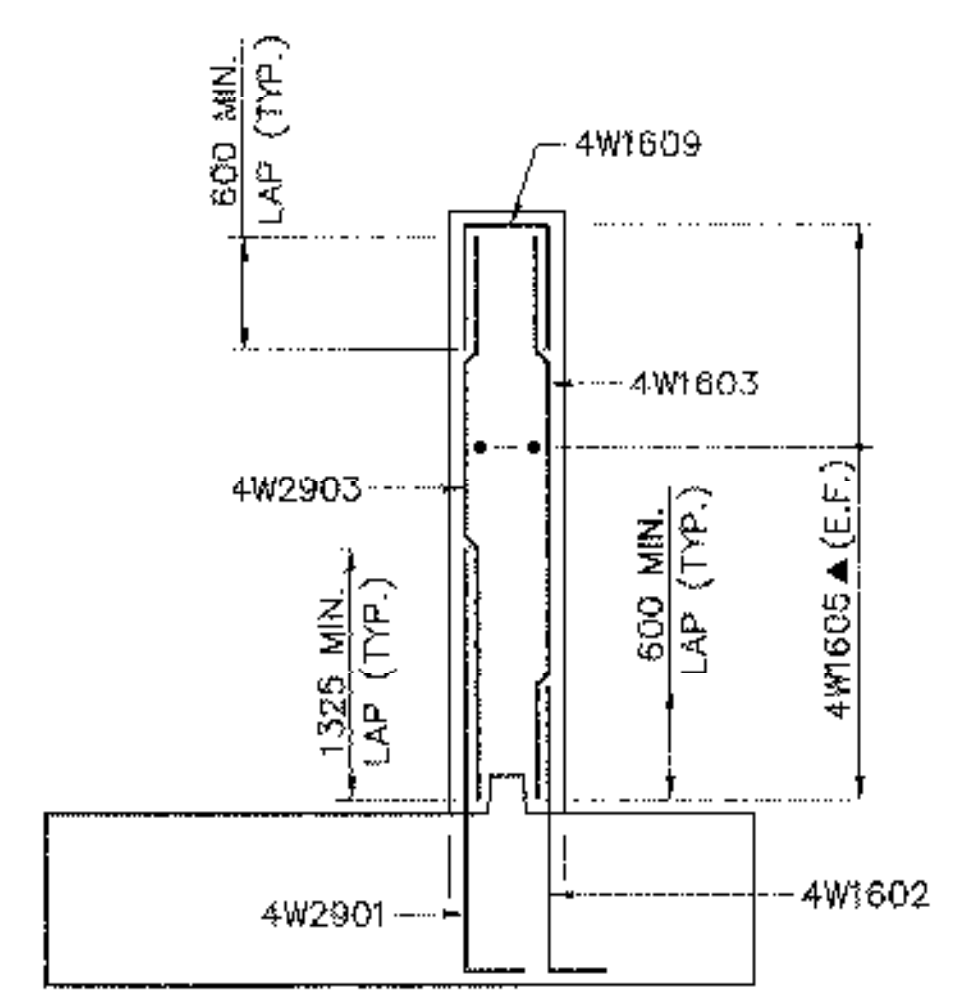


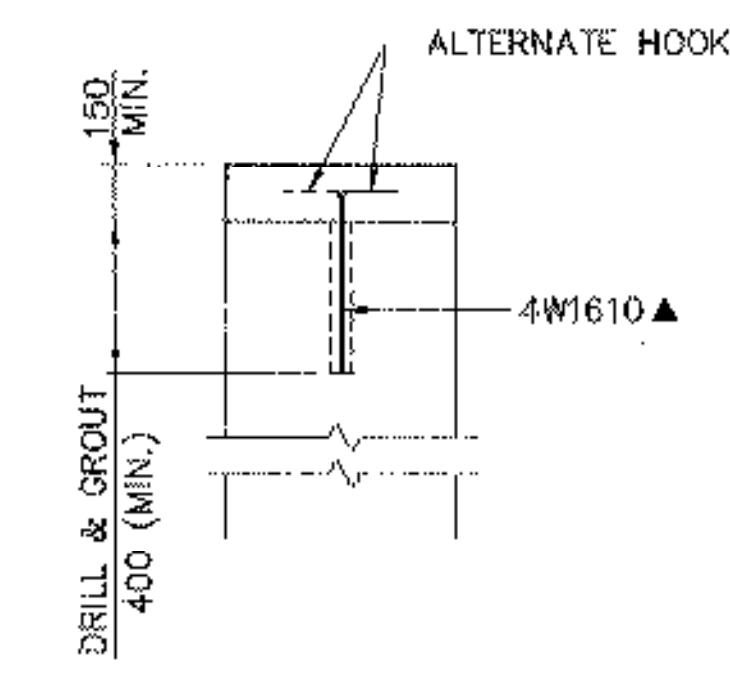
ABUTMENT NO. 2 PLAN  
SCALE: 1:40



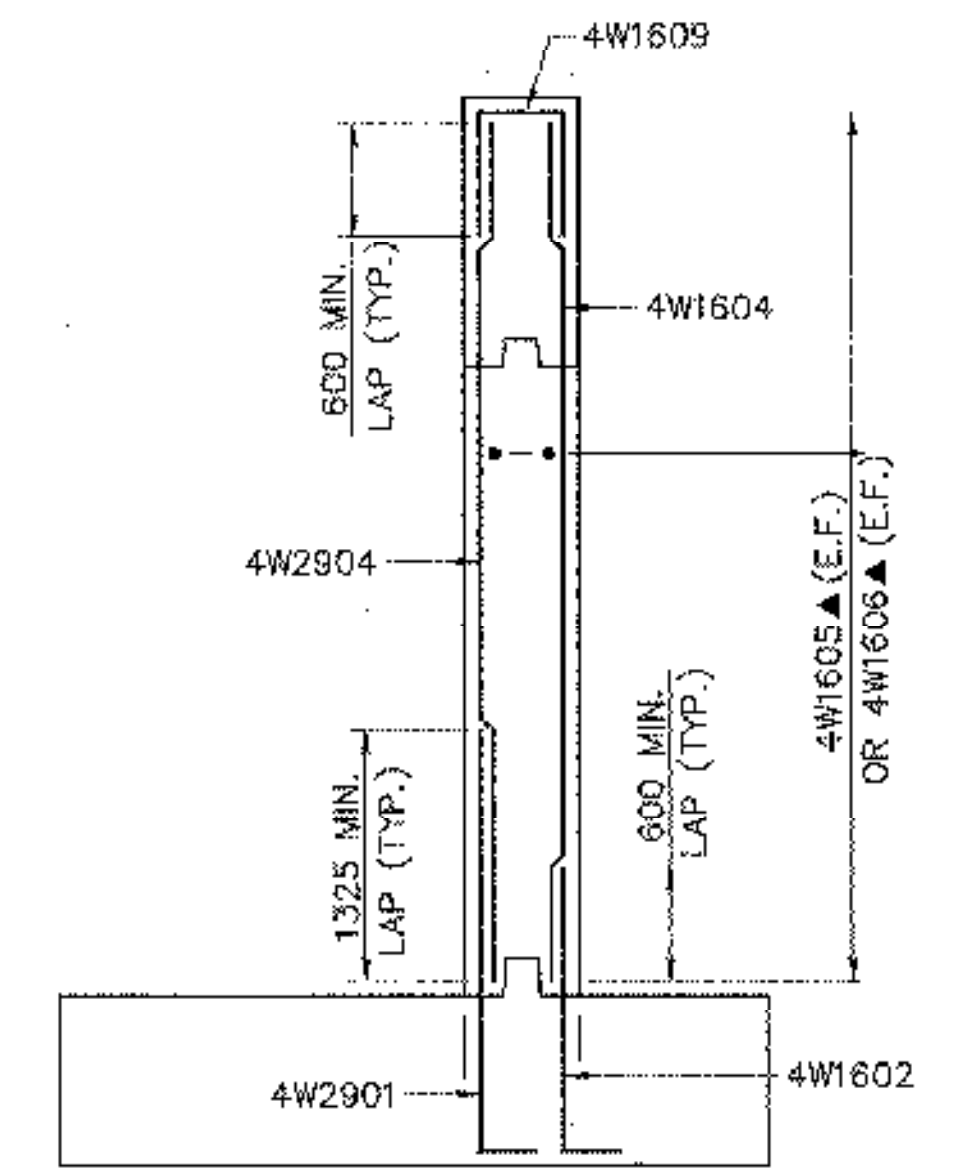
SECTION A-A  
SCALE: 1:40



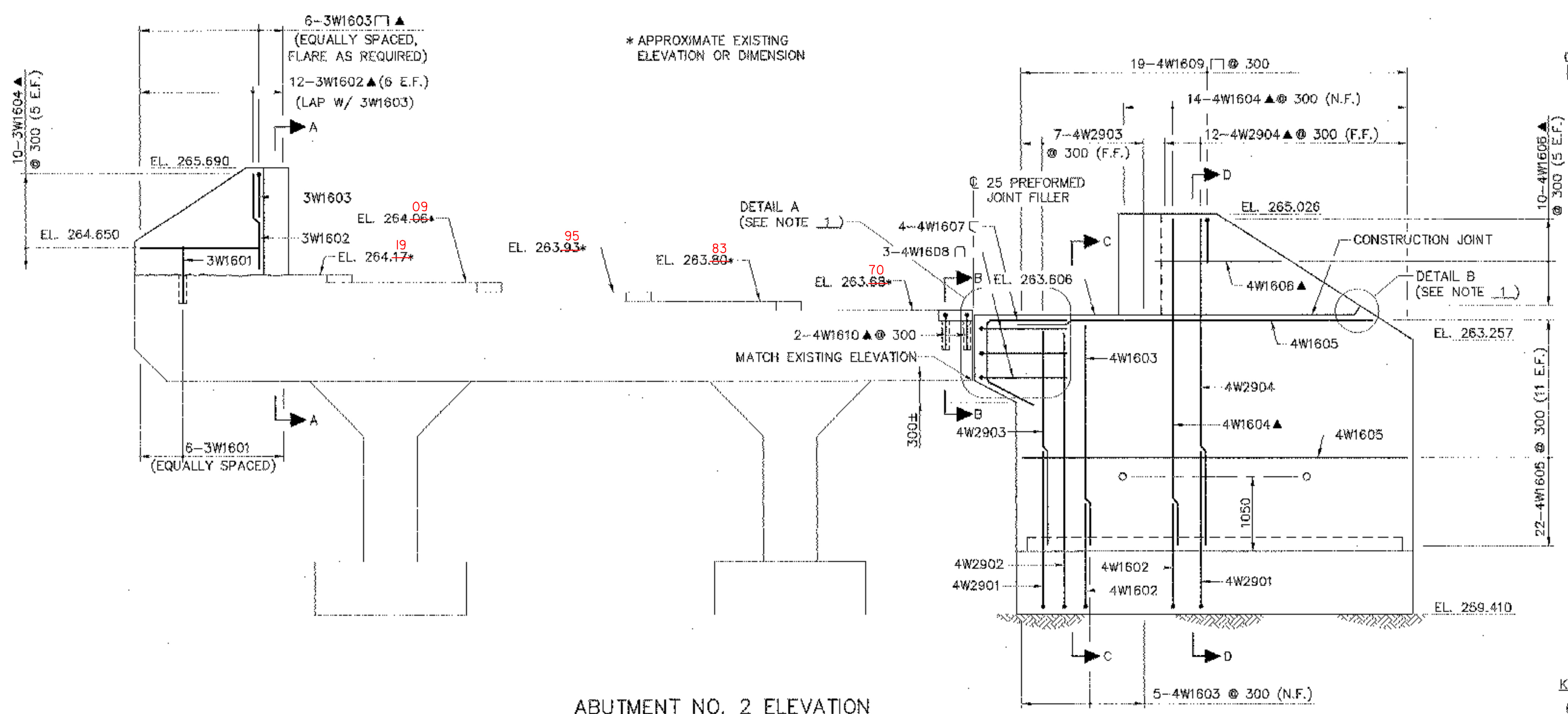
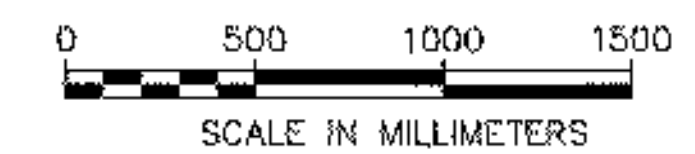
SECTION C-C  
SCALE: 1:40



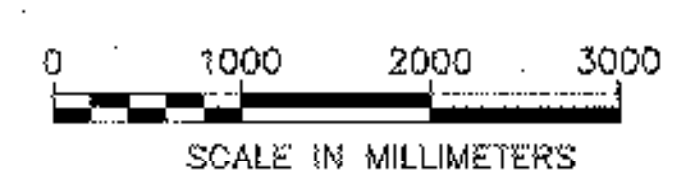
SECTION B-B  
SCALE: 1:20



SECTION D-D  
SCALE: 1:40



ABUTMENT NO. 2 ELEVATION  
SCALE: 1:40



- NOTES:
- SEE SHEET 30 FOR DETAILS A AND B.
  - ALL FOOTING REINFORCING NOT SHOWN FOR CLARITY.

STATE OF VERMONT AGENCY OF TRANSPORTATION			
Town Of	FAYSTON	Bridge No.	36
Highway No.	VT 17	Log Sta.	
		Surv. Sta.	
VT 17 OVER MILL BROOK			
<b>ABUTMENT NO. 2</b>			
Designed By	M.A. COLGAN	Drawn By	B.J. MASSE
Checked By	S.M. SAREAULT	Date	1/06
		Bridge Design Supervisor	M.A. COLGAN
PROJECT	FAYSTON	Date	1/06
		PROJECT NO.	BHF 0200(9)
I.G.C. Info.			
Bridge Sheet No.	50543A2M	Sheet	29 of 70

- KEY:
- N.F. - NEAR FACE
  - F.F. - FAR FACE
  - E.F. - EACH FACE
  - ▲ - CUT TO FIT IN FIELD