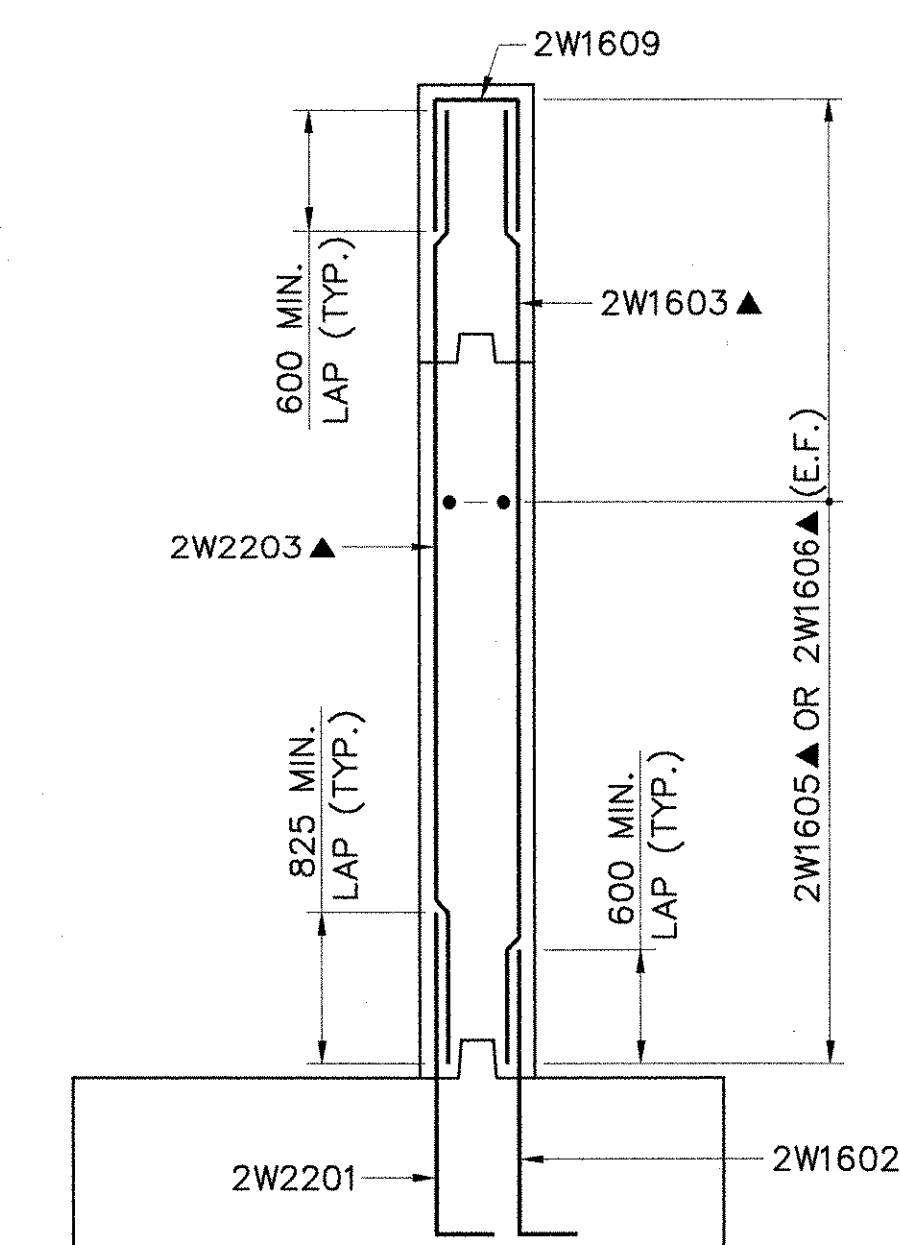
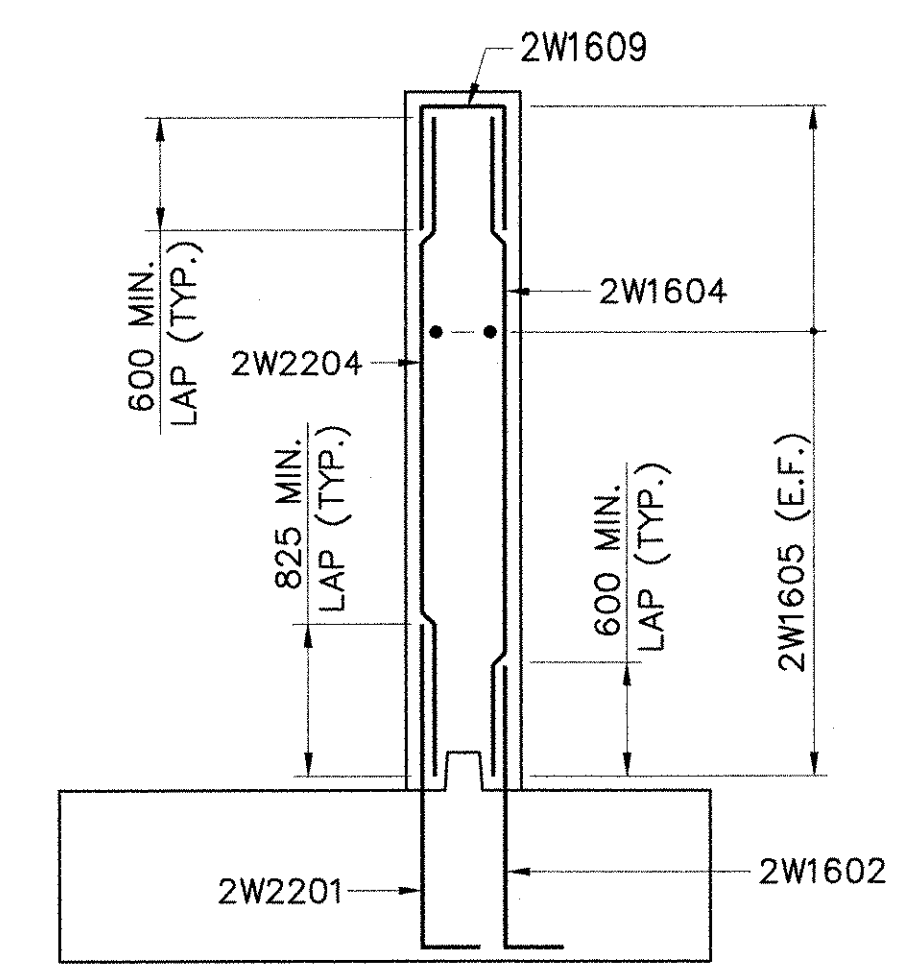


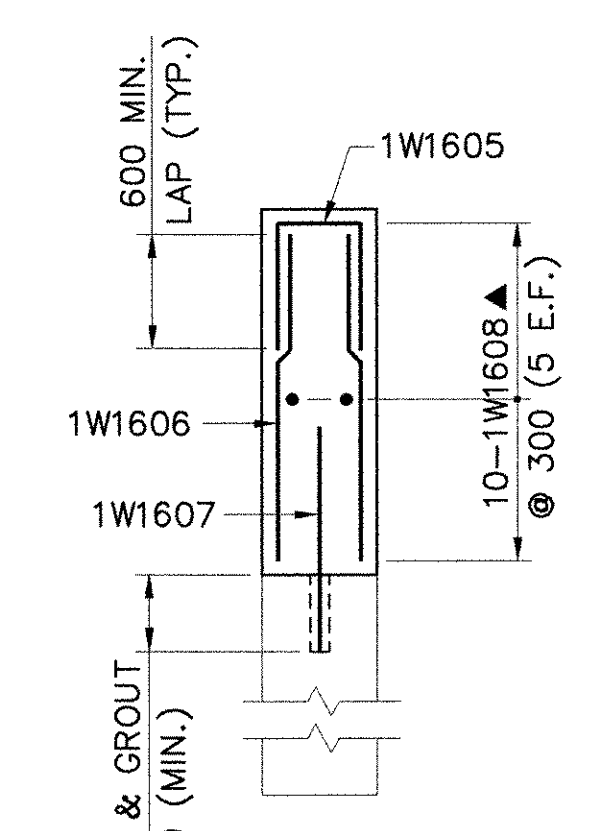
**ABUTMENT NO. 1 PLAN**  
SCALE: 1:40



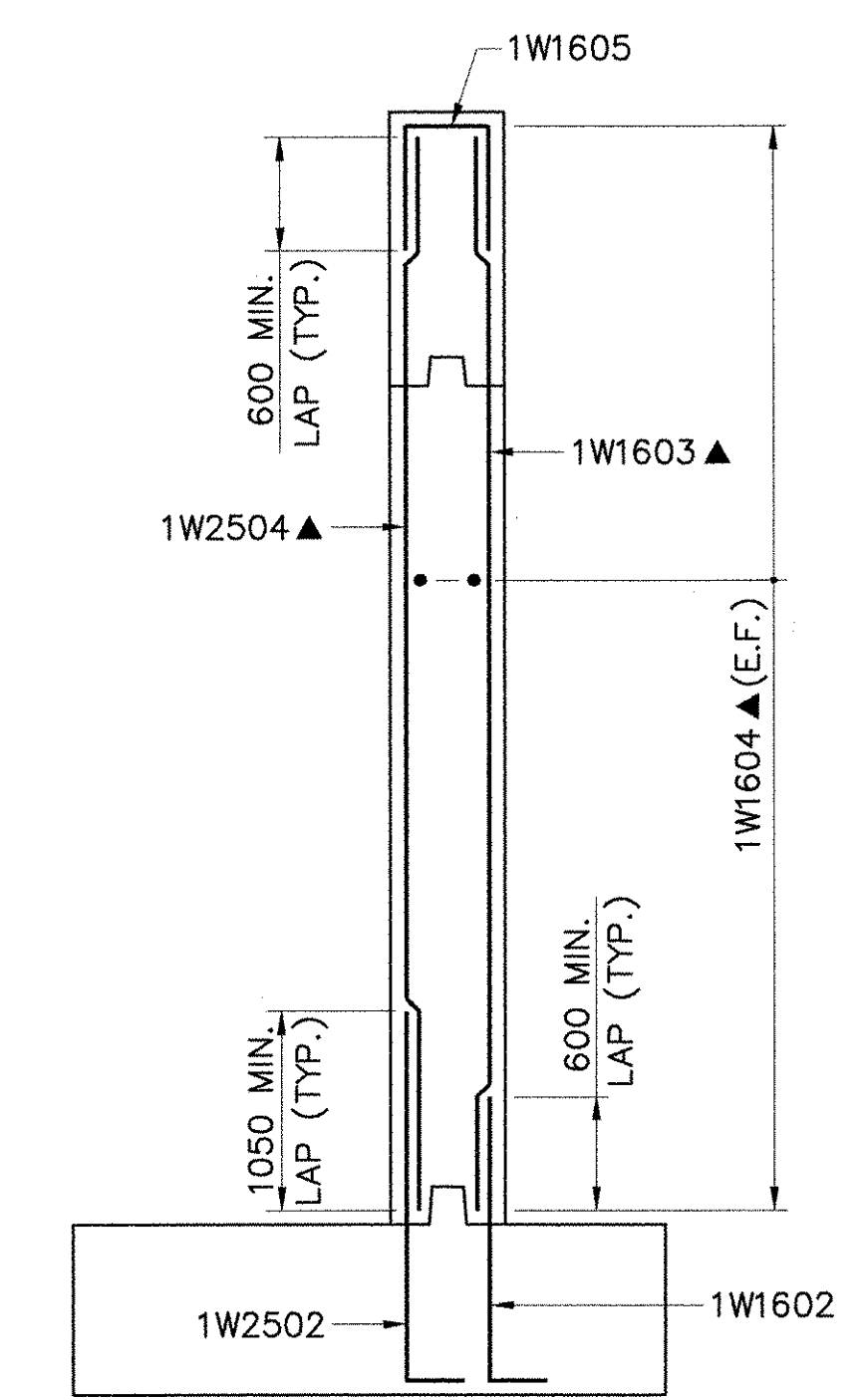
**SECTION A-A**  
SCALE: 1:40



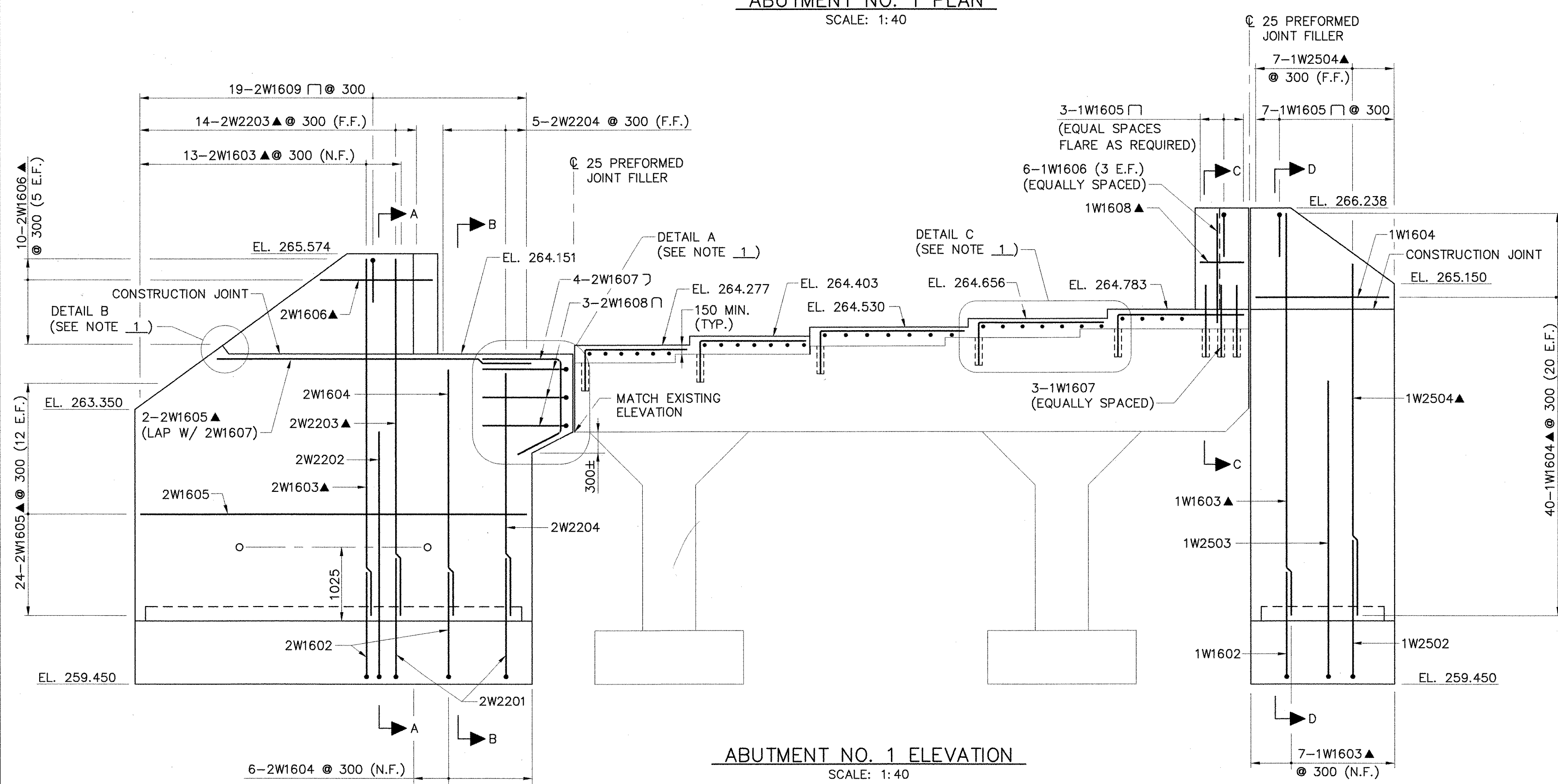
**SECTION B-B**  
SCALE: 1:40



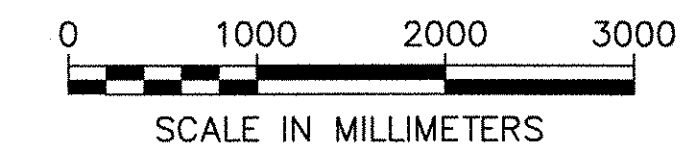
**SECTION C-C**  
SCALE: 1:40



**SECTION D-D**  
SCALE: 1:40



**ABUTMENT NO. 1 ELEVATION**  
SCALE: 1:40



- NOTES:**
- SEE SHEET 30 FOR DETAILS A, B, AND C.
  - ALL FOOTING REINFORCING NOT SHOWN FOR CLARITY.

**KEY:**  
N.F. - NEAR FACE  
F.F. - FAR FACE  
E.F. - EACH FACE  
▲ - CUT TO FIT IN FIELD

<b>STATE OF VERMONT AGENCY OF TRANSPORTATION</b>	
Town Of <b>FAYSTON</b>	Bridge No. <b>36</b>
Highway No. <b>VT 17</b>	Log Sta.
	Surv. Sta.
<b>VT 17 OVER MILL BROOK</b>	
<b>ABUTMENT NO. 1</b>	
Designed By <b>M.A. COLGAN</b>	Drawn By <b>B.J. MASSE</b>
Checked By <b>S.M. SAREAULT</b>	Bridge Design Supervisor
Date <b>1/06</b>	M.A. COLGAN Date <b>1/06</b>
PROJECT <b>FAYSTON</b>	PROJECT NO. <b>BHF 0200(9)</b>
I.G.C. Info.	
Bridge Sheet No. <b>50543A1M</b>	Sheet <b>28</b> of <b>70</b>