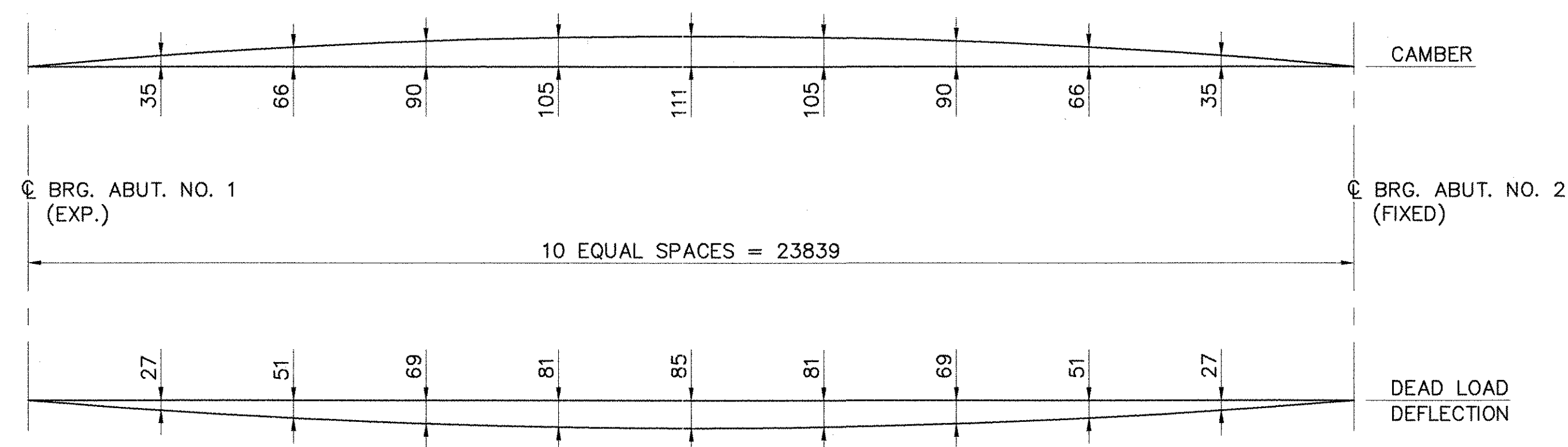


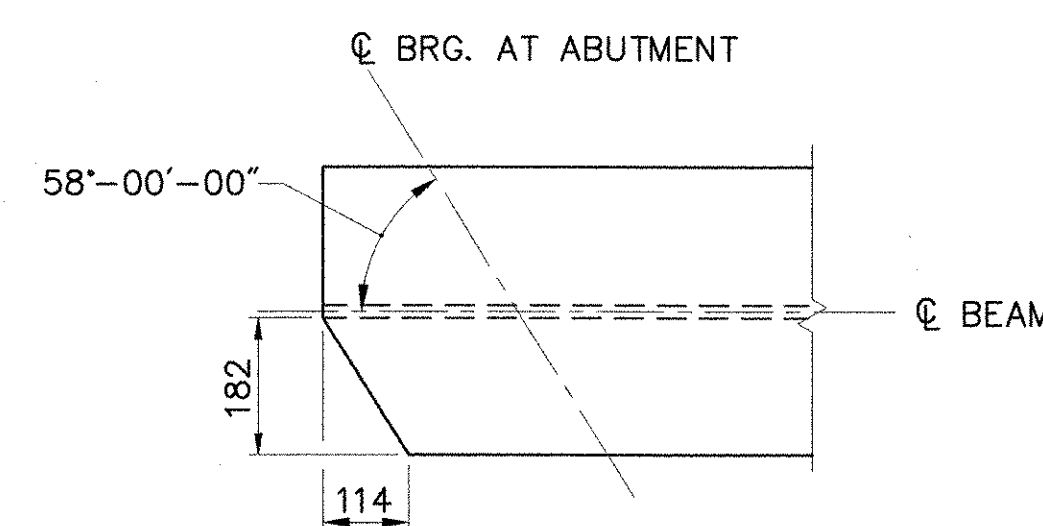
**SHEAR CONNECTOR DETAIL**  
N.T.S.

CVN = CHARPY V NOTCH TESTING REQUIRED PER SPECIFICATION

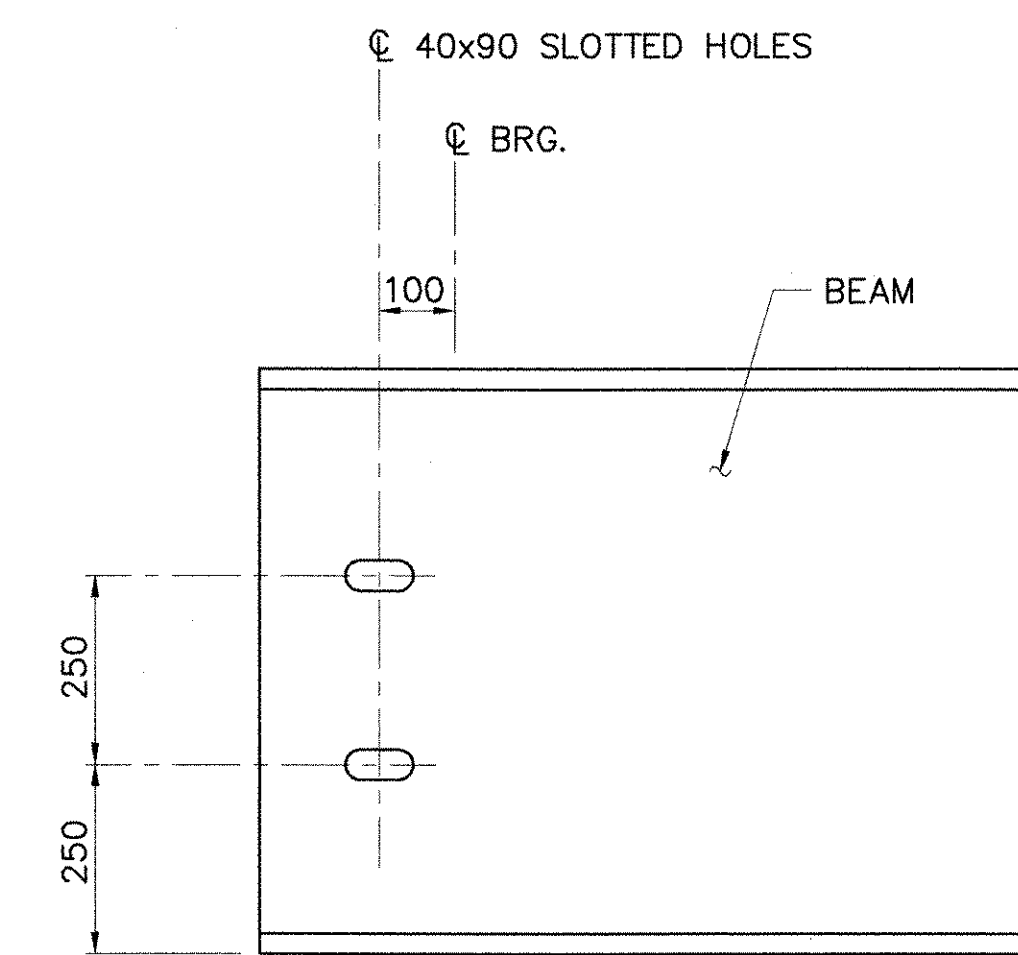
**BEAM ELEVATION**  
N.T.S.



**DEAD LOAD DEFLECTION AND CAMBER DIAGRAM**  
N.T.S.



**TOP & BOTTOM FLANGE CLIP DETAIL**  
N.T.S.



**SLOTTED HOLE DETAIL**  
N.T.S.

**STATE OF VERMONT  
AGENCY OF TRANSPORTATION**

Town Of	FAYSTON	Bridge No.	36
Highway No.	VT 17	Log Sta.	
		Surv. Sta.	

VT 17 OVER MILL BROOK

**BEAM ELEVATION & DETAILS**

Designed By	M.A. COLGAN	Drawn By	B.J. MASSE
Checked By	S.M. SAREAULT	Bridge Design Supervisor	M.A. COLGAN
Date	1/06	Date	1/06

PROJECT	FAYSTON	PROJECT NO.	BHF 0200(9)
---------	---------	-------------	-------------

I.G.C. Info.	Bridge Sheet No. 50543SD1	Sheet	24 of 70
--------------	---------------------------	-------	----------