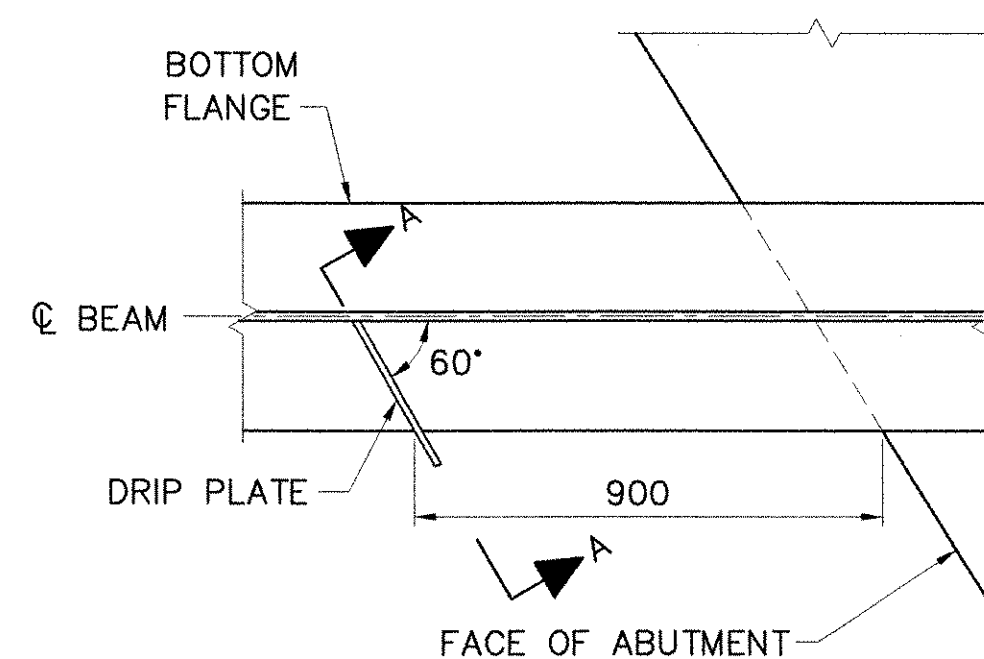
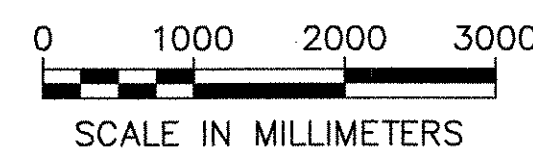
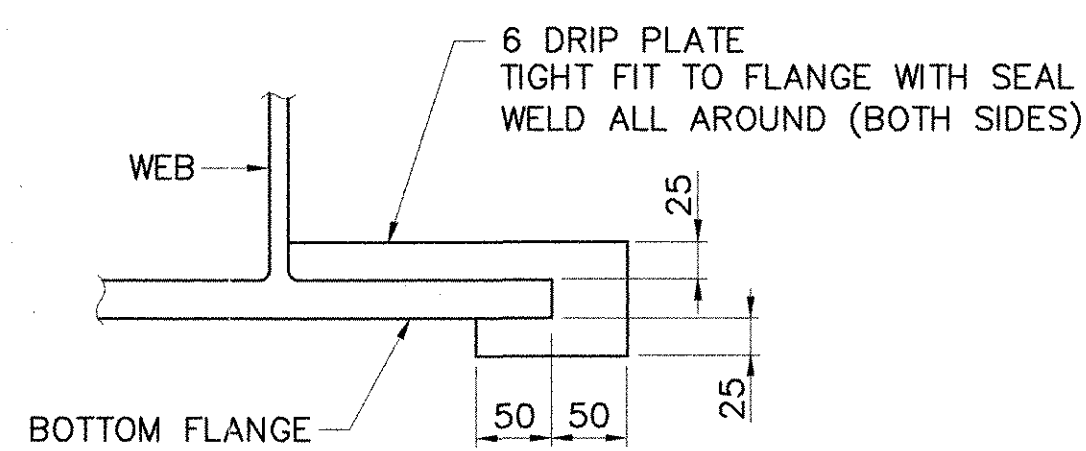


**FRAMING PLAN**  
SCALE: 1:50

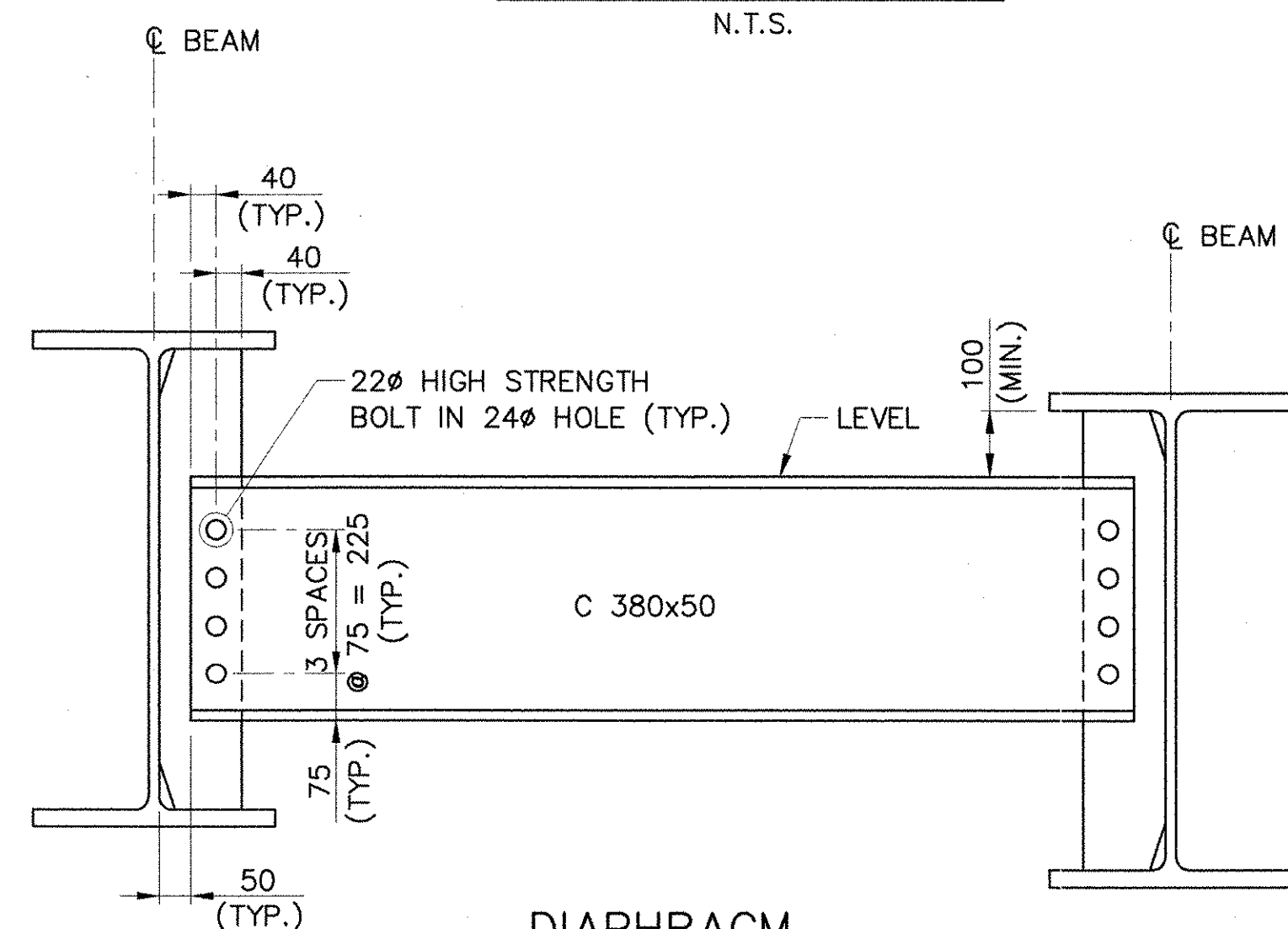


**PLAN**

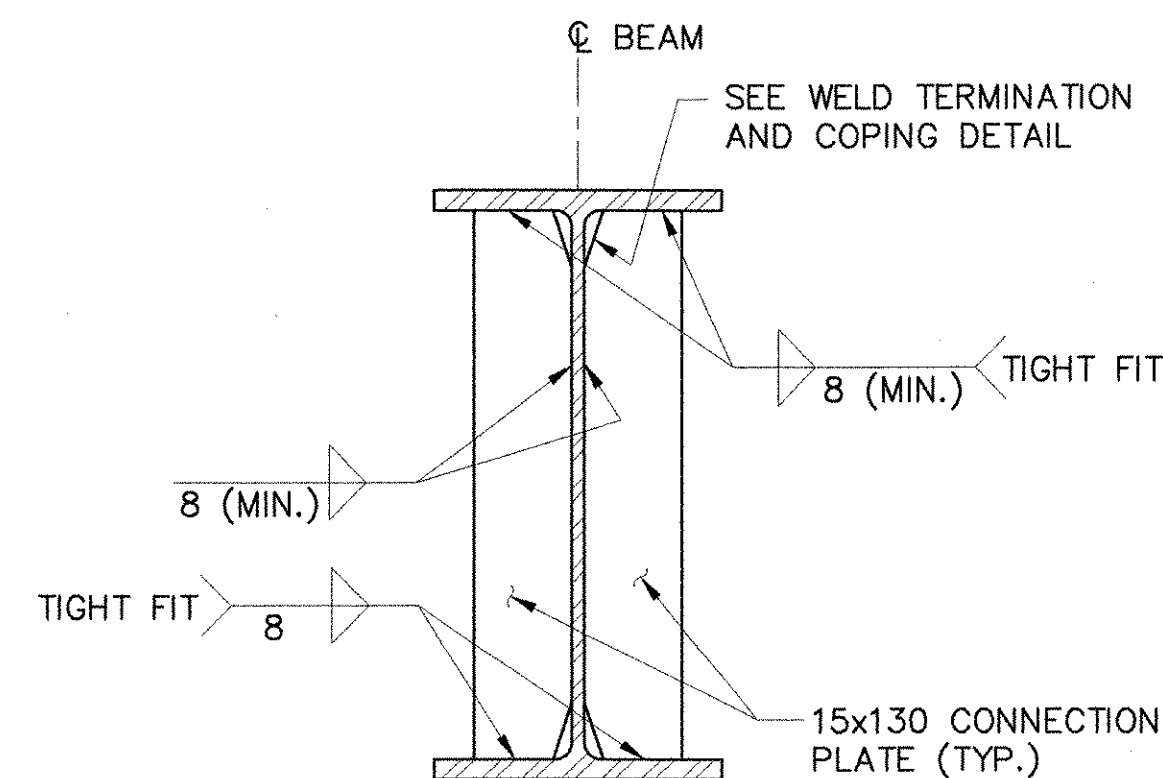
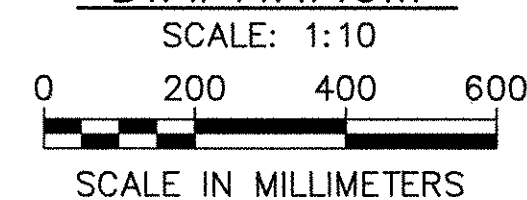


**SECTION A-A**

**DRIP PLATE DETAIL**  
N.T.S.

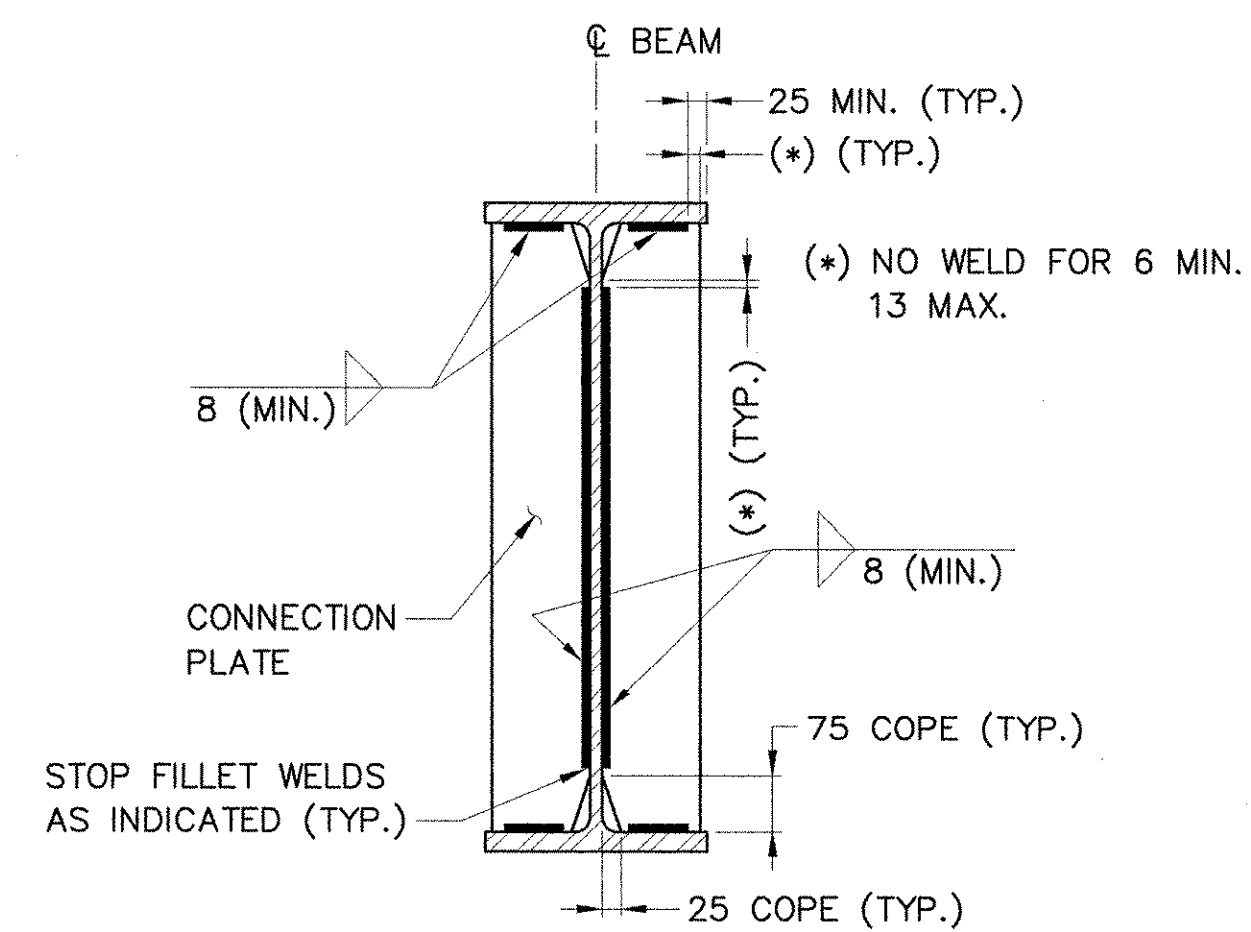


**DIAPHRAGM**



**CONNECTION PLATE DETAIL**

N.T.S.



**WELD TERMINATION AND COPING DETAIL**

N.T.S.

**STATE OF VERMONT  
AGENCY OF TRANSPORTATION**

Town Of	FAYSTON	Bridge No.	36
Highway No.	VT 17	Log Sta.	
		Surv. Sta.	

VT 17 OVER MILL BROOK

**FRAMING PLAN**

Designed By	M.A. COLGAN	Drawn By	B.J. MASSE
Checked By	S.M. SAREAULT	Date	1/06
		Bridge Design Supervisor	M.A. COLGAN Date 1/06

PROJECT	FAYSTON	PROJECT NO.	BHF 0200(9)
---------	---------	-------------	-------------

I.G.C. Info.	Bridge Sheet No. 50543FRM	Sheet	23 of 70
--------------	---------------------------	-------	----------