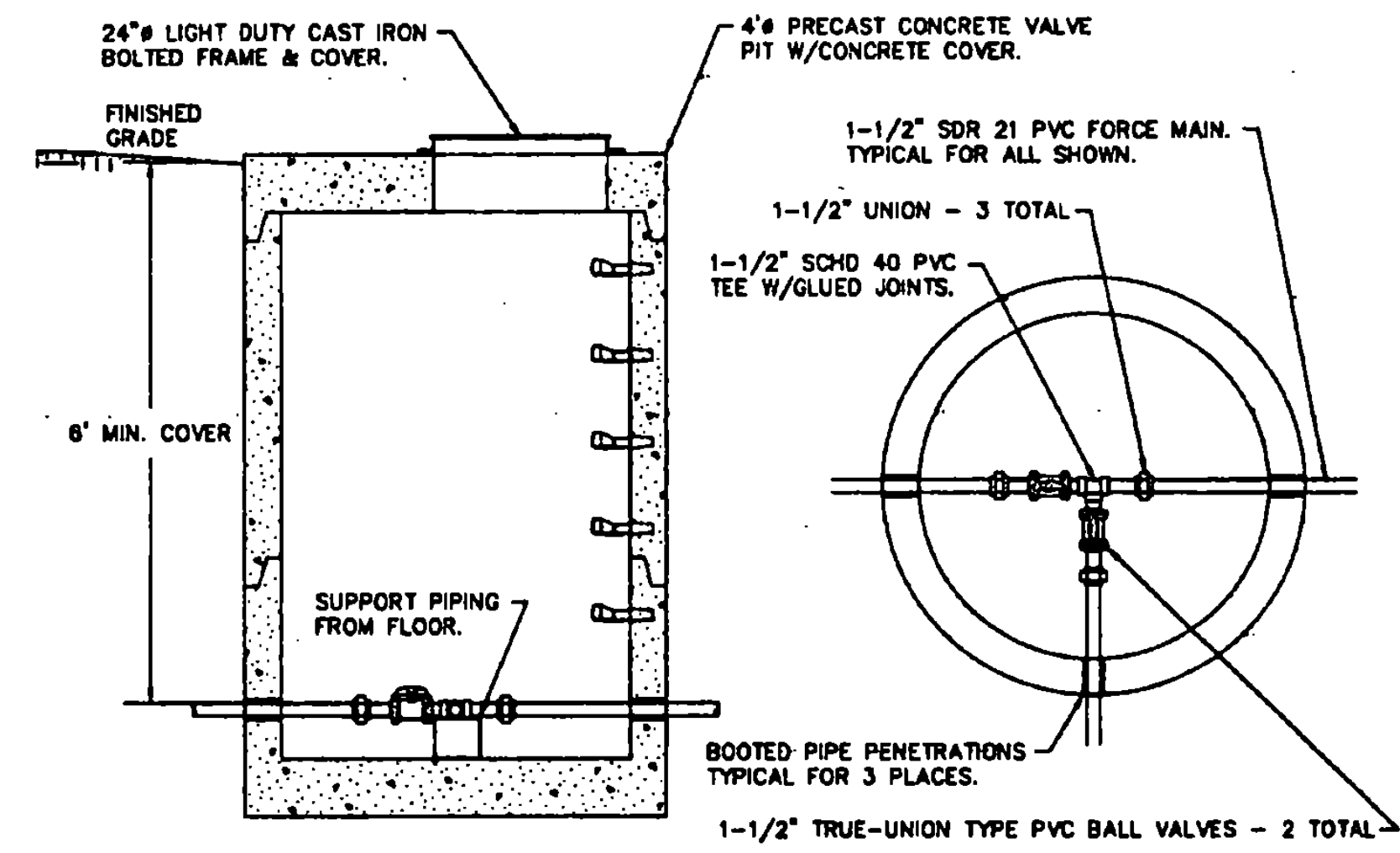


BUILDING WATER SERVICE CONNECTION
SCALE: NONE



VALVE PIT DETAILS
SCALE: NONE

Jon E. Allen



2	4/26/86	ADDED SHEET NO. TO TITLE BLOCK	JEA	GAK
1	6/3/95	ADDED THIS SHEET	JEA	GAK

REV. NO.	DATE	DESCRIPTION	MADE BY	CHECKED BY	APPROVED BY
ALBURG WELCOME CENTER ALBURG, VERMONT SEWAGE DISPOSAL SYSTEM MISCELLANEOUS DETAILS NH 088-1075					
DRAWN	JEA	VERMONT SURVEY and ENGINEERING, INC.	PROJECT NO. 11295		
SCALE	AS INDICATED	58 EAST STATE STREET • MONPELIER, VERMONT • 05602	DATE	6/3/95	DRAWING NO. 5/5
SHEET NO. 18/21					