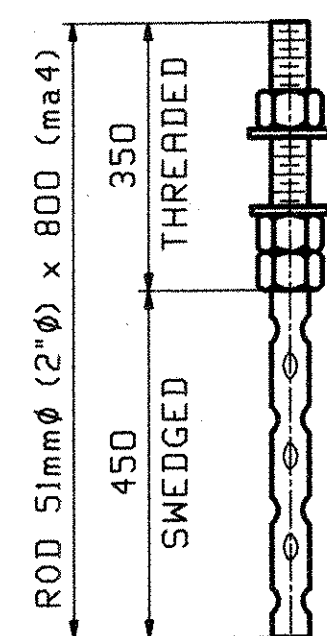
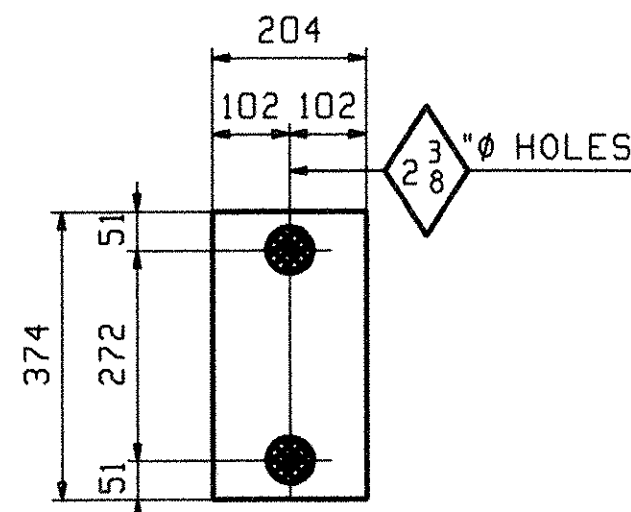


**16 ~ INT. DIAPHRAGMS - 4D1**  
LOOKING DOWN-STATION

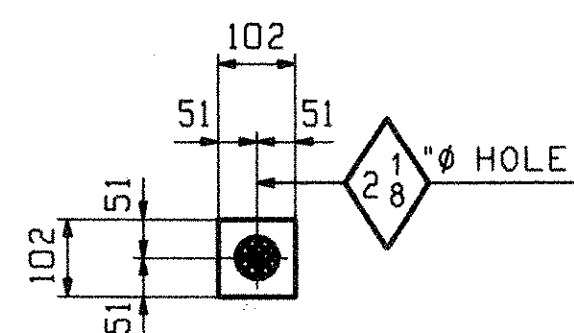


**20 - ANCHOR BOLTS - 4AB1**  
TYP @ BRGS

3-51mm $\phi$  (2" $\phi$ ) HVY HEX NUTS W/2-WASHERS



**10 - SOLE PLATES - 4M1**  
TYP @ BRGS



**20 - PLATE WASHERS- 4M2**  
TYP @ BRGS

ABM INFO		SHP		BILL OF MATERIAL				JOB NO.	DRAWING NO.	REV.
PAGE	LINE	MARK	QTY	MARK	MATERIAL	LENGTH		REMARKS	WT	PROCUREMENT NOTES
						m	mm			
					INT DIAPHRAGMS					
2	G	4D1	16		MC 460x63.5	2	190		139 kg 306 lbs	
		4AB1	20		ANCHOR BOLTS				4 kg 8 lbs	
2	U		20	ma4	ROD 2 $\phi$	0	800	(F1554 Grade 55)		
2	V		60		2 $\phi$ HHN			(A982)		
2	W		40		2 $\phi$ HSW			(F436)		
					SOLE PLATES					
2	O	4M1	10		PL 38x204	0	374	(M270M-345)	23 kg 50 lbs	
					PLATE WASHERS					
2	R	4M2	20		PL 12x102	0	102	(M270M-250)	1 kg 2 lbs	

OUT FOR APPROVAL	8/9/06									
OUT FOR APPROVAL										
ISSUED TO SHOP										
FIELD & OFFICE										

REV.	REMARKS	DATE	DWN	CHK	APP	O.A.	NO.	DIA.	LGT	TYPE	WASHER
	MATERIAL:										
	M270M-345W (UN)										
	ELECTRODES:										
	HOLES:										
	SHOP BOLTS:										

SURFACE PREP. & PAINT:  
SEE DRAWING GNI

DESCRIPTION:	DIAPHRAGMS & BEARINGS	DRAWN BY	DATE
JOB:	VT 114 OVER PASSUMPSIC RIVER, BRIDGE 2	JTB	07/08
	TOWN OF LYNDON, COUNTY OF CALEDONIA, VT	CHKD BY	
	STATE OF VERMONT AGENCY OF TRANS.	ELC	08/03
	ENGR: VANASSE HANGEN BRUSTLIN, INC.	APPROV BY	
		SUPERVISOR	W. J. GATTI
PROJ NO.	BRF 0269(10)	O.A.	

CUSTOMER:	WINTERSET, INC.	JOB NO.	DRG. NO.
		297	4
<b>CASCO BAY STEEL STRUCTURES, INC.</b>			
75 SPRING HILL ROAD	SACO, MAINE 04072		
PHONE (207) 282-7360	FAX. (207) 282-1179		

VTTRANS  
RECEIVED  
OK'D BY: JRP OK'D BY: G. Kay  
AUG 15 2006  
RESUBMIT APPROVED X  
BY: JRP DATE: 8/15/06