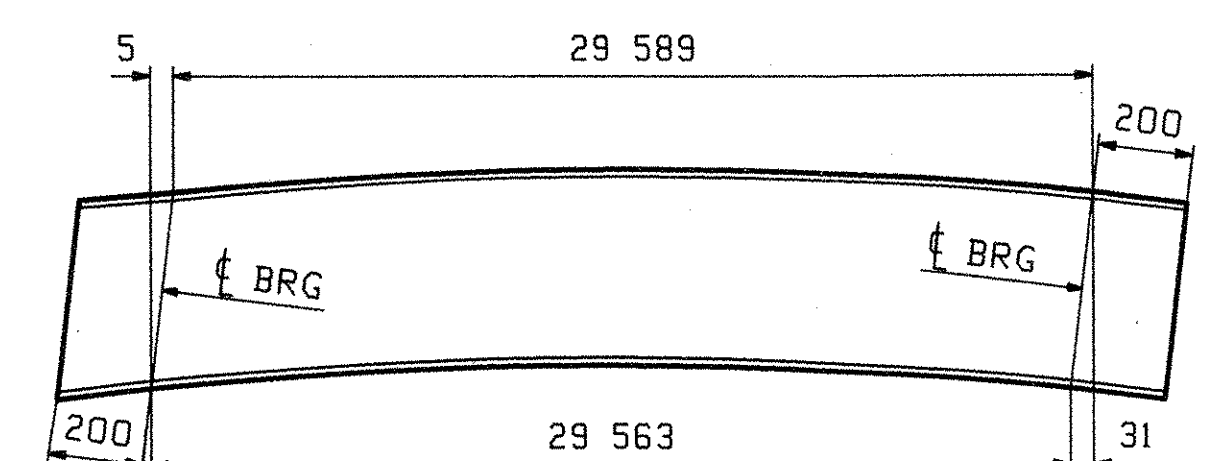
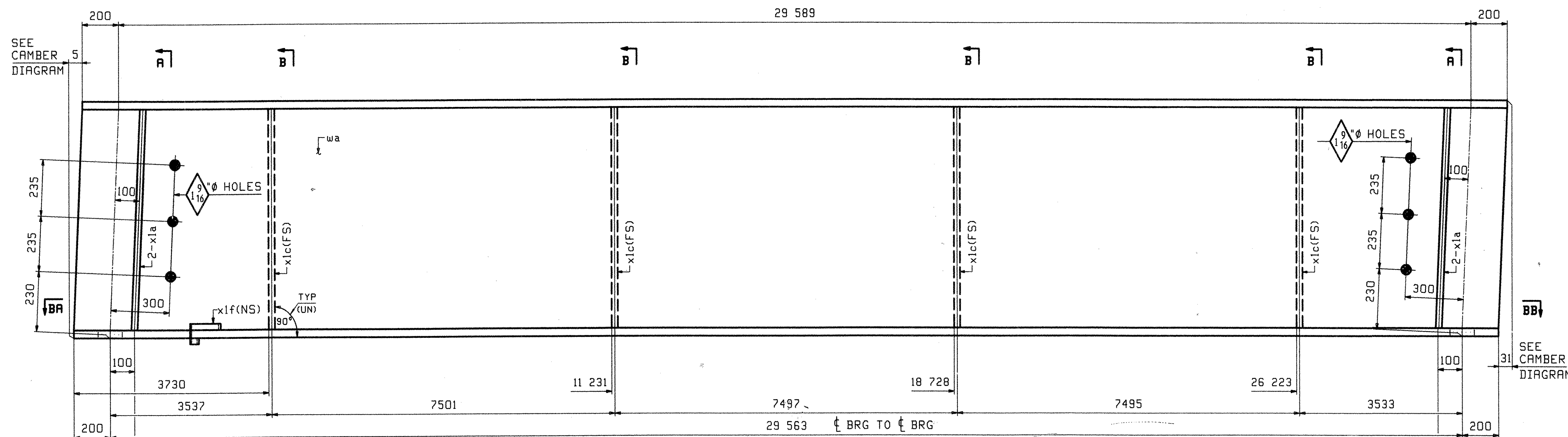
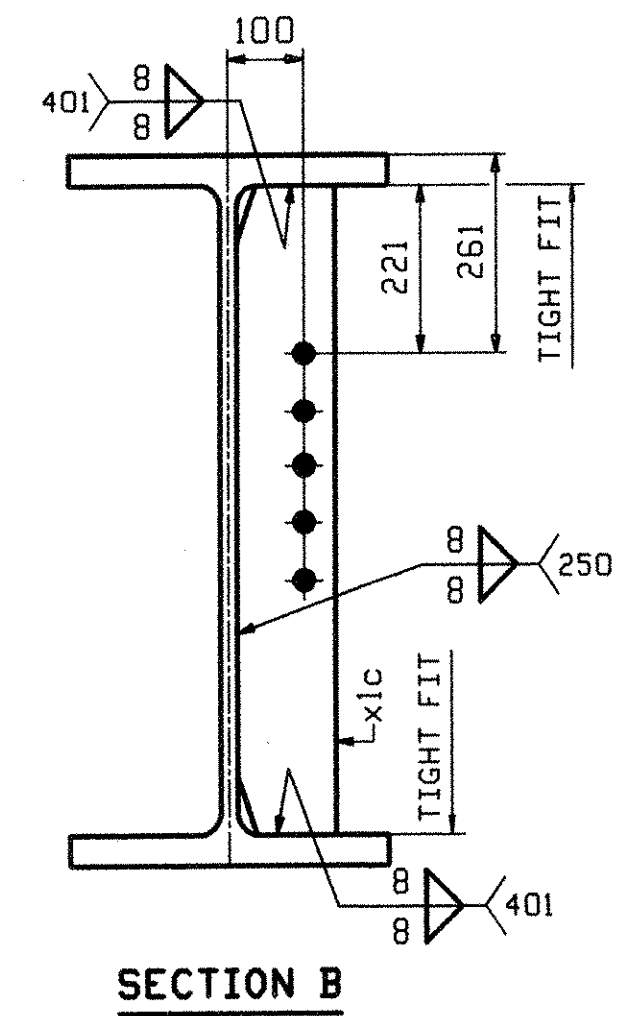
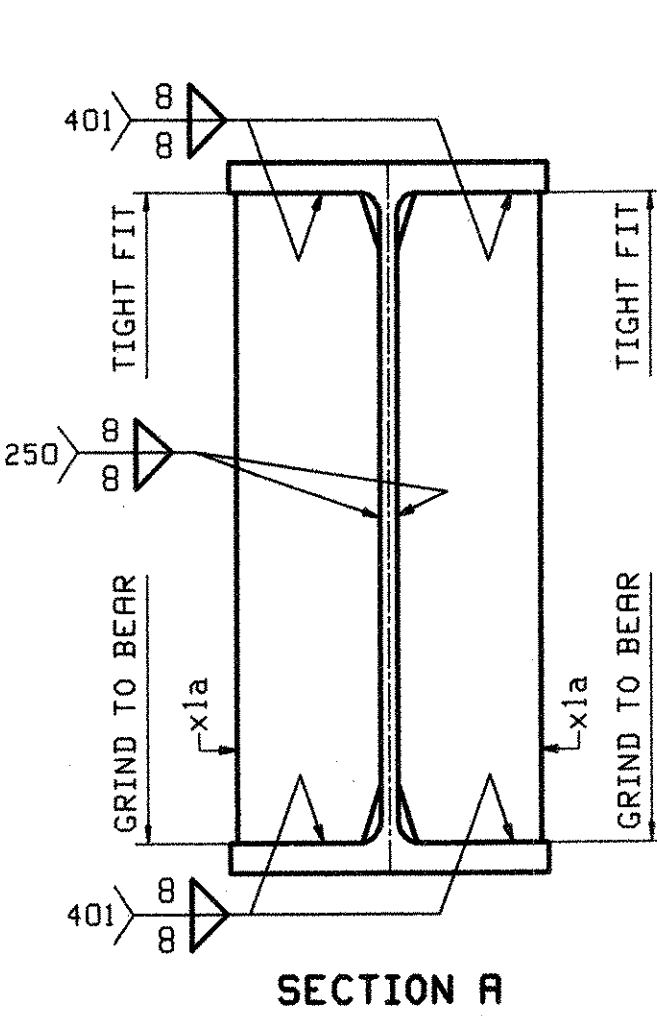
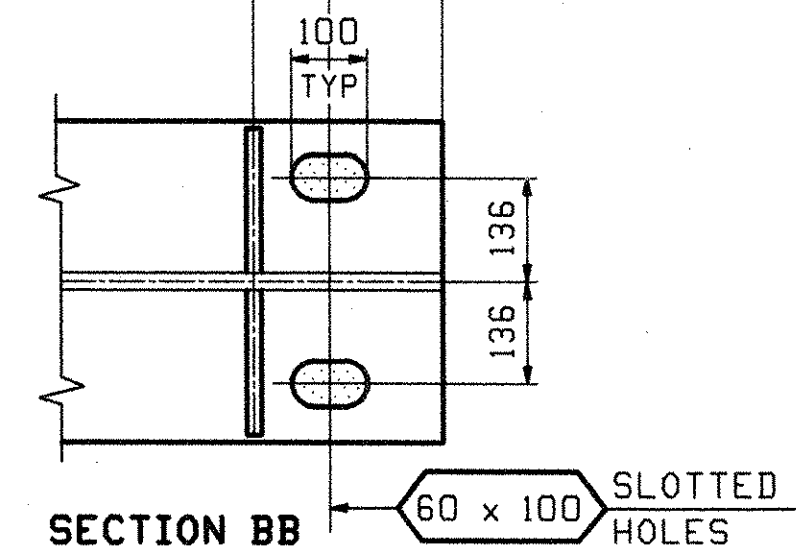
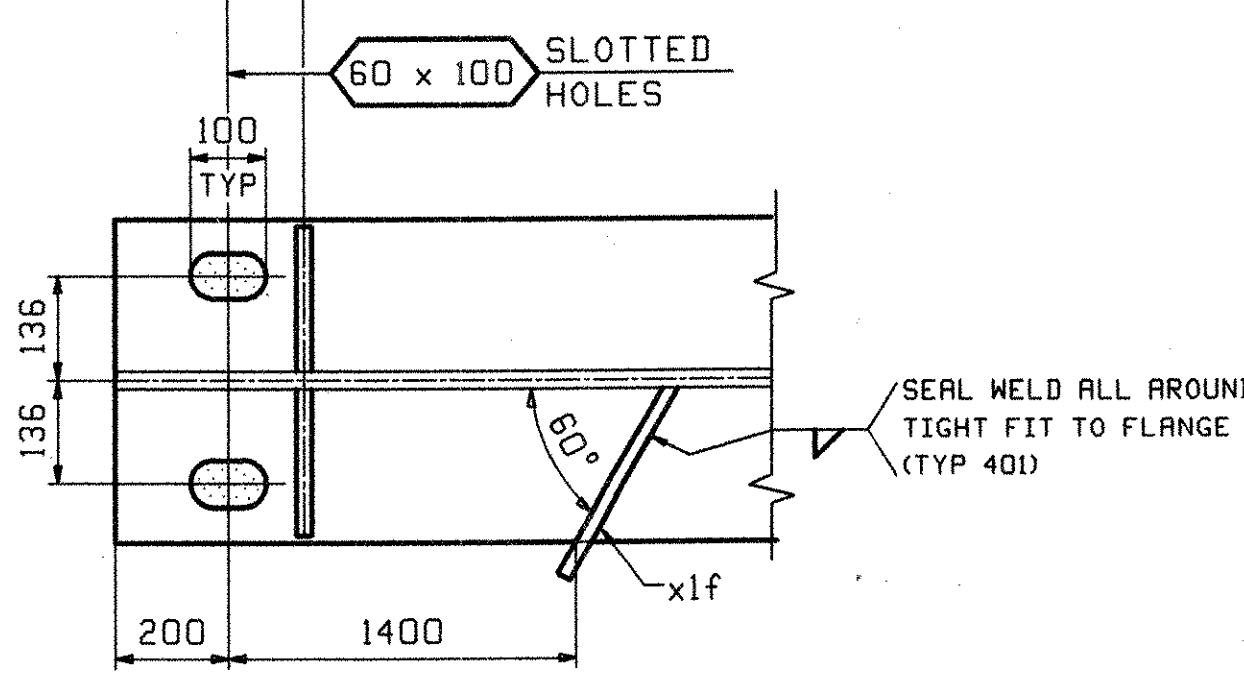


ABM INFO		SHIP	BILL OF MATERIAL			JOB NO.	DRAWING NO.	REV.	
PAGE	LINE	MARK	QTY	MARK	MATERIAL	LENGTH	REMARKS	WT	PROCUREMENT NOTES
						m			
						mm			
		355	1		STRINGER			1882 kg 2914 lbs	
1	A		1	wa	N 820x417	29 994	(M270M-345HT2)	(H2-3)	
2	B		4	x1a	PL 20x190	0 848	MIE		
2	C		4	x1c	PL 15x130	0 848			
2	D		1	x1f	PL 6x90	0 284			



ONE - STRINGER - 355

FOR STRINGER STANDARD DETAILS SEE DRAWING X1.
 FOR CAMBER DIAGRAM SEE DRAWING WS1.
 FOR GENERAL NOTES SEE DRAWING GNI.
 H2-3 DENOTES MATERIAL SUBJECT TO CHARPY V-NOTCH TESTING.



OUT FOR APPROVAL	8/9/06								
OUT FOR APPROVAL									
ISSUED TO SHOP									
FIELD & OFFICE									

REV.	REMARKS	DATE	DWN	CHK	APP	Q.A.	NO.	DIA.	LGT	TYPE	WASHER
	MATERIAL: M270M-345W										
	ELECTRODES:										
	HOLES: 15/16" φ (UN)										
	SHOP BOLTS: NONE										

SURFACE PREP. & PAINT:		SEE DRAWING GNI	
DESCRIPTION:	STRINGER - 355	DRAWN BY:	DATE
JOB:	VT 114 OVER PASSUMPSIC RIVER, BRIDGE 2	JTB	07/08
	TOWN OF LYNDON, COUNTY OF CALEDONIA, VT	CHKD BY:	
	STATE OF VERMONT AGENCY OF TRANS.	ELC	08/03
	ENGR: VANASSE HANGEN BRUSTLIN, INC.	APPROV BY:	
		SUPERVISOR:	W. J. GATTI
PROJ NO.	BRF 0269(1D)	Q.A.	
CUSTOMER:	WINTERSET, INC.	JOB NO.	DRG. NO.
		297	3
CASCO BAY STEEL STRUCTURES, INC.		75 SPRING HILL ROAD	SACO, MAINE 04072
		PHONE (207) 282-7360	FAX. (207) 282-1179

TRANS RECEIVED
 CK'D BY: JAMP CK'D BY: G. Key
 AUG 15 2006
 RESUBMIT APPROVED: X
 BY: [Signature] DATE: 8/21/06