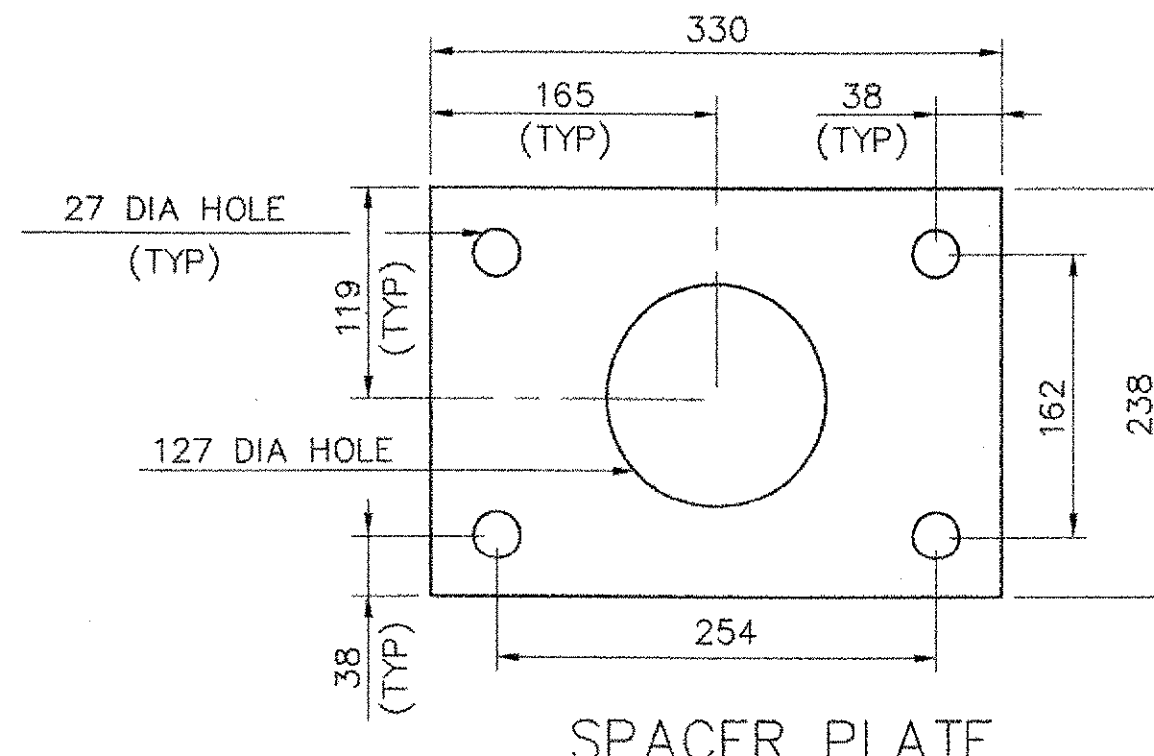


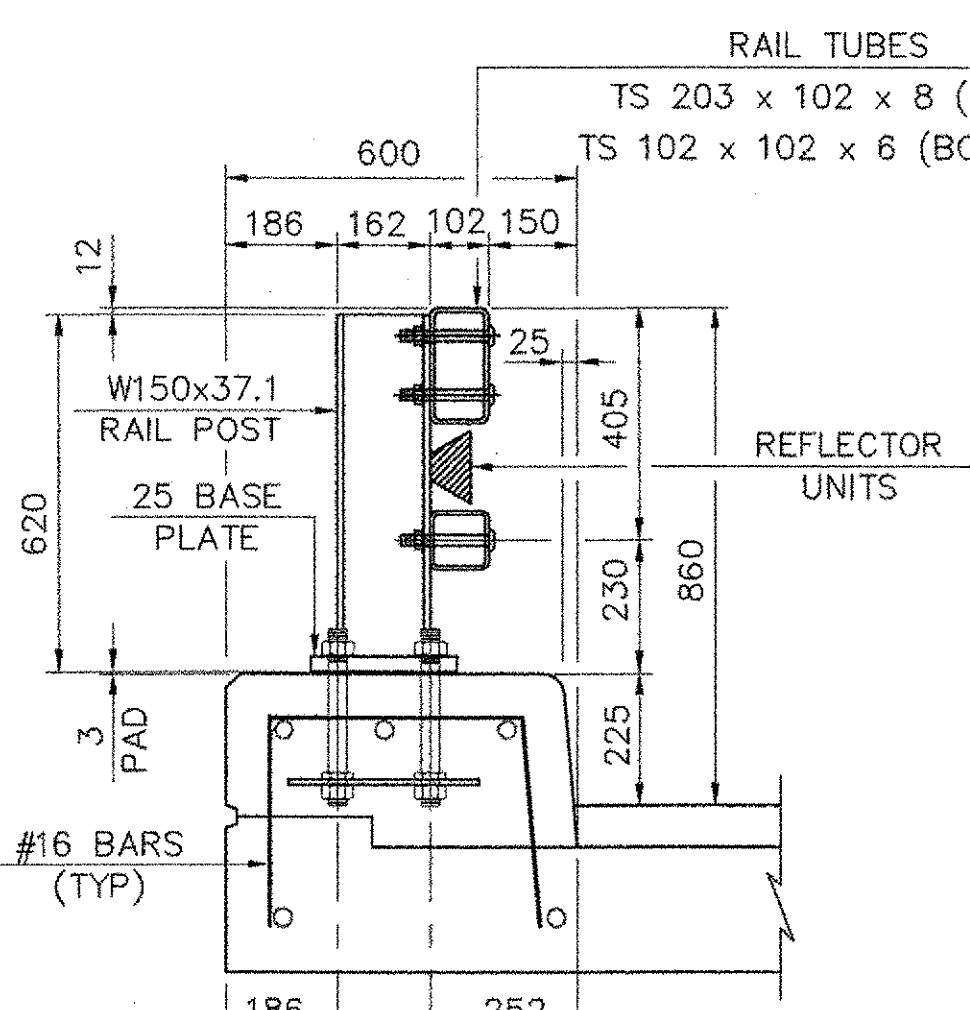
BRIDGE RAILING ELEVATION



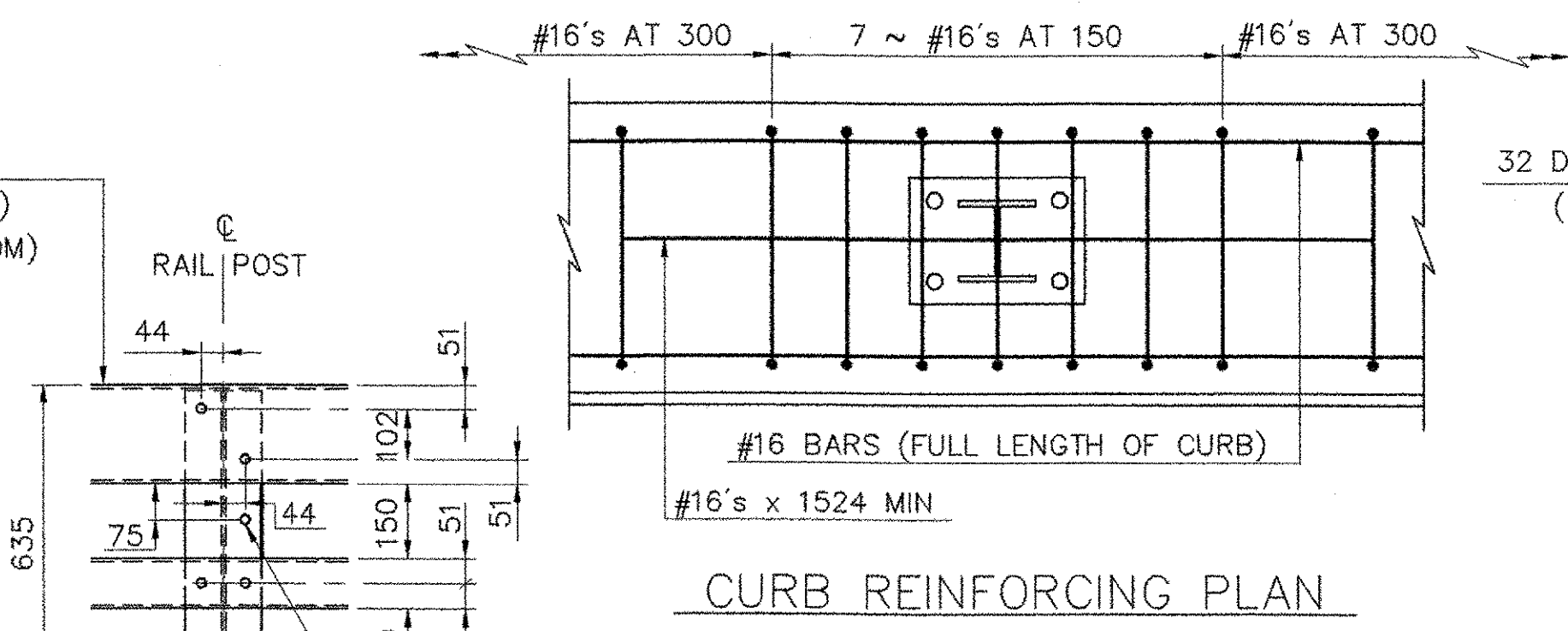
SPACER PLATE

NOTES:

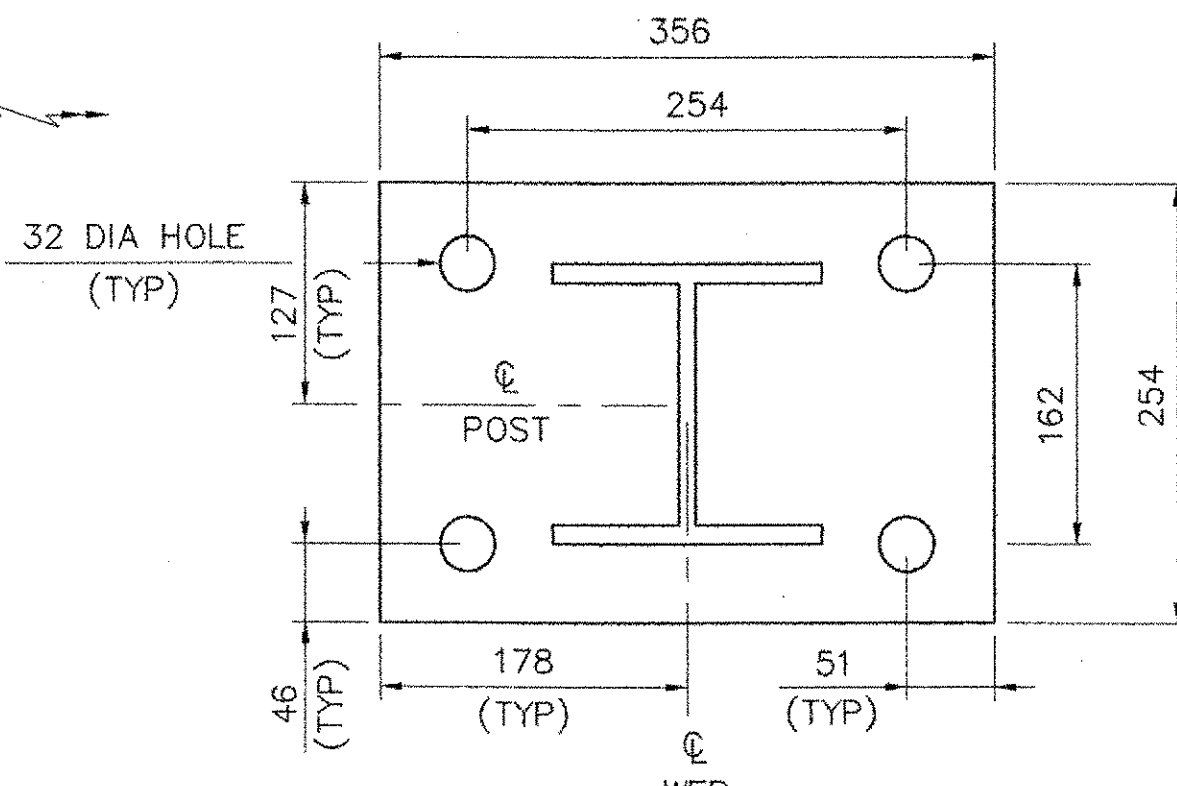
- ALL WORK AND MATERIALS SHALL CONFORM TO THE PROVISIONS OF SECTION 525, "RAILINGS OF THE STANDARD SPECIFICATION FOR CONSTRUCTION."
- TUBING AND POSTS SHALL MEET THE REQUIREMENTS OF SECTION 732, "RAILING MATERIALS OF THE STANDARD SPECIFICATIONS FOR CONSTRUCTION," EXCEPT THAT THE DROP-WEIGHT TEAR TEST IN SECTION 732 SHALL NOT APPLY TO THE STRUCTURAL TUBING IN THIS STANDARD.
- ALL EXPOSED CUT OR SHEARED EDGES SHALL BE ROUNDED TO A 2mm RADIUS AND BE FREE OF BURRS.
- RAIL POSTS SHALL BE SET NORMAL TO GRADE.
- SECTIONS OF RAIL TUBE SHALL BE ATTACHED TO A MINIMUM OF TWO (2) RAIL POSTS AND PREFERABLY TO AT LEAST FOUR (4) POSTS.
- RAIL TUBE EXPANSION JOINTS SHALL BE PROVIDED IN ANY RAIL BAY SPANNING A SUPERSTRUCTURE EXPANSION JOINT. EXPANSION JOINT WIDTH SHALL BE "X" AT 7°C AND WILL BE ADJUSTED IN THE FIELD BY THE ENGINEER FOR OTHER TEMPERATURES.
- ALL PARTS SHALL BE GALVANIZED AFTER FABRICATION IN ACCORDANCE WITH AASHTO M111, EXCEPT THAT HARDWARE SHALL MEET THE REQUIREMENTS OF AASHTO M232M.
- RAIL POSTS ANCHORING NUTS SHALL BE TIGHTENED TO A SNUG FIT AND GIVEN AN ADDITIONAL ONE-EIGHTH TURN.
- RAIL TUBES SHALL BE ATTACHED USING M20 FULL DIAMETER BODY AASHTO M164 (TYPE I) ROUND HEAD BOLTS INSERTED THROUGH THE FACE OF THE TUBE. HOLES IN POSTS SHALL BE 2mm LARGER THAN THE BOLT SIZE.
- HOLES IN RAILS FOR RAIL TUBE ATTACHMENT MAY BE FIELD-DRILLED. HOLES SHALL BE COATED WITH AN APPROVED ZINC-RICH PAINT PRIOR TO ERECTION.
- IF THERE IS A CONFLICT BETWEEN THESE DETAILS AND THE DESIGN, THE REQUIREMENTS OF THE DESIGN DRAWINGS SHALL BE FOLLOWED.
- ANY BENDING OF RAIL SHALL BE BY SHOP PROCEDURE ONLY.
- THE FABRICATOR SHALL SUBMIT FABRICATION DRAWINGS INCLUDING WELDING PROCEDURES TO THE STRUCTURES SECTION FOR APPROVAL IN ACCORDANCE WITH THE PROVISION OF **SUBSECTION 506.04**. ALL WELDING SHALL CONFORM WITH **SUBSECTION 506.10**.
- RAIL POST AND BASE PLATES SHALL BE TESTED FOR IMPACT PROPERTIES IN ACCORDANCE WITH ASTM A370 CHARPY IMPACT TESTING USING TYPE A SPECIMENS.



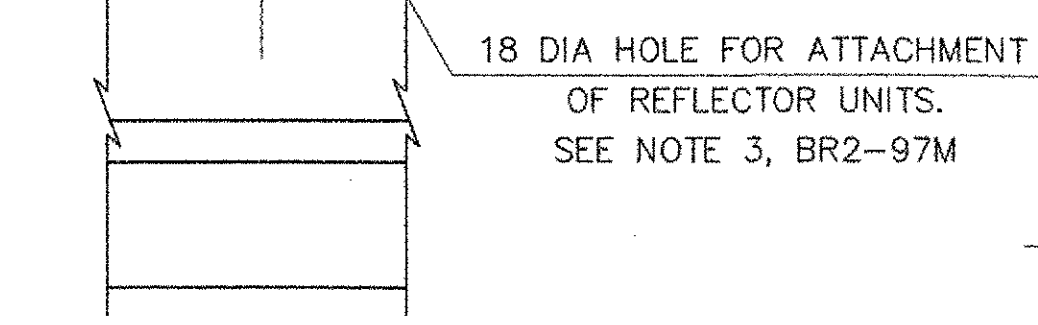
TYPICAL SECTION



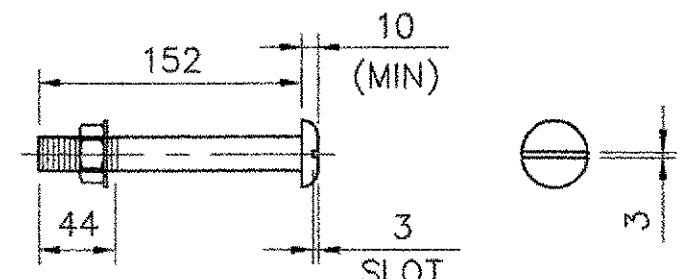
CURB REINFORCING PLAN



POST AND BASE PLATE

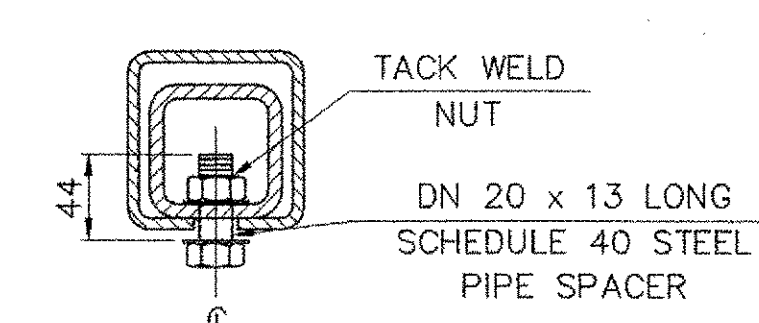


ELEVATION



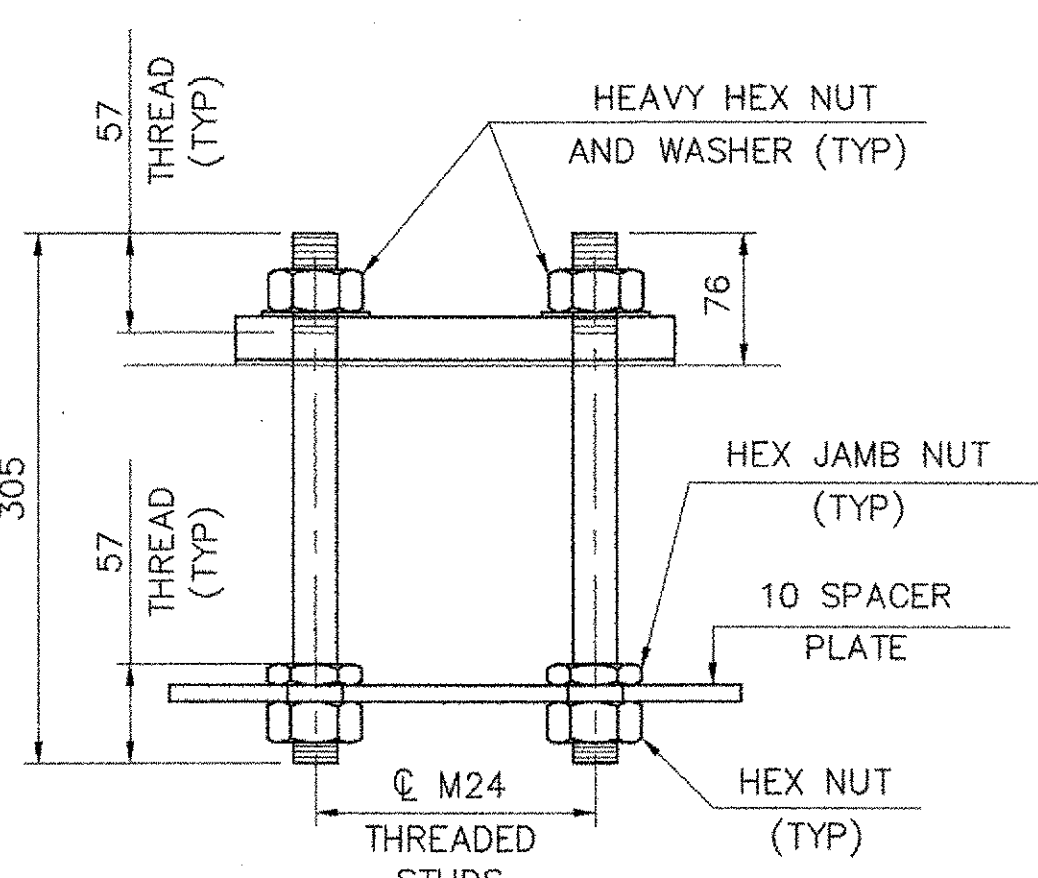
M20 DIA M164 (TYPE I) ROUND HEAD BOLT

(WITH WASHER AND PREVAILING TORQUE TYPE LOCK NUT)
(SEE NOTE #9)
ONLY FULL DIAMETER BODY BOLTS WILL BE ALLOWED.

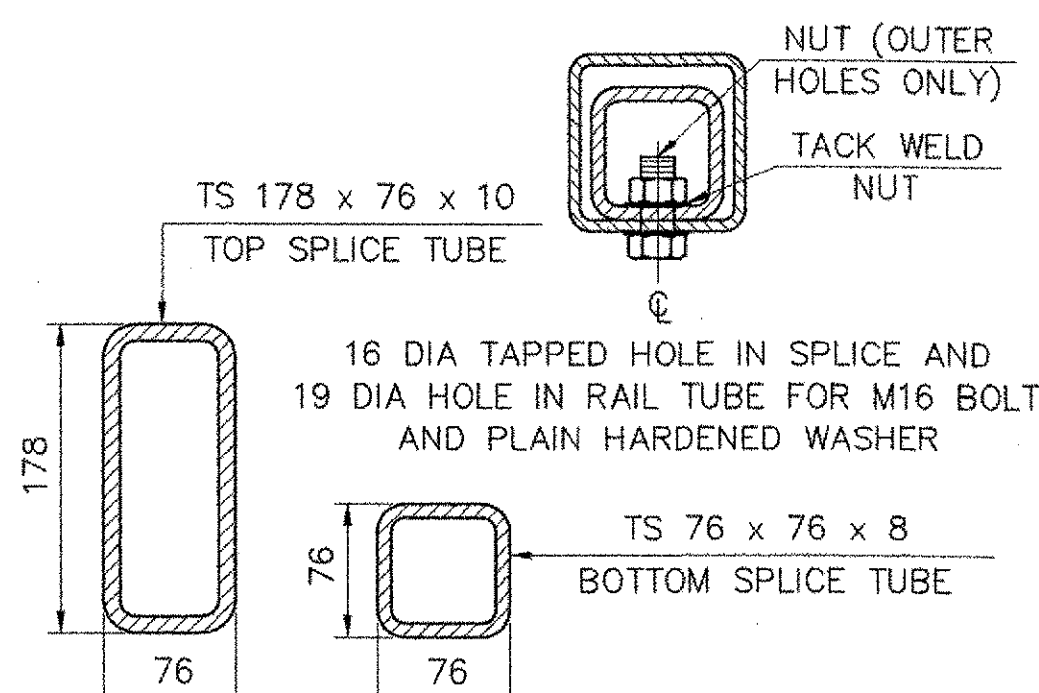


EXPANSION JOINT SECTION

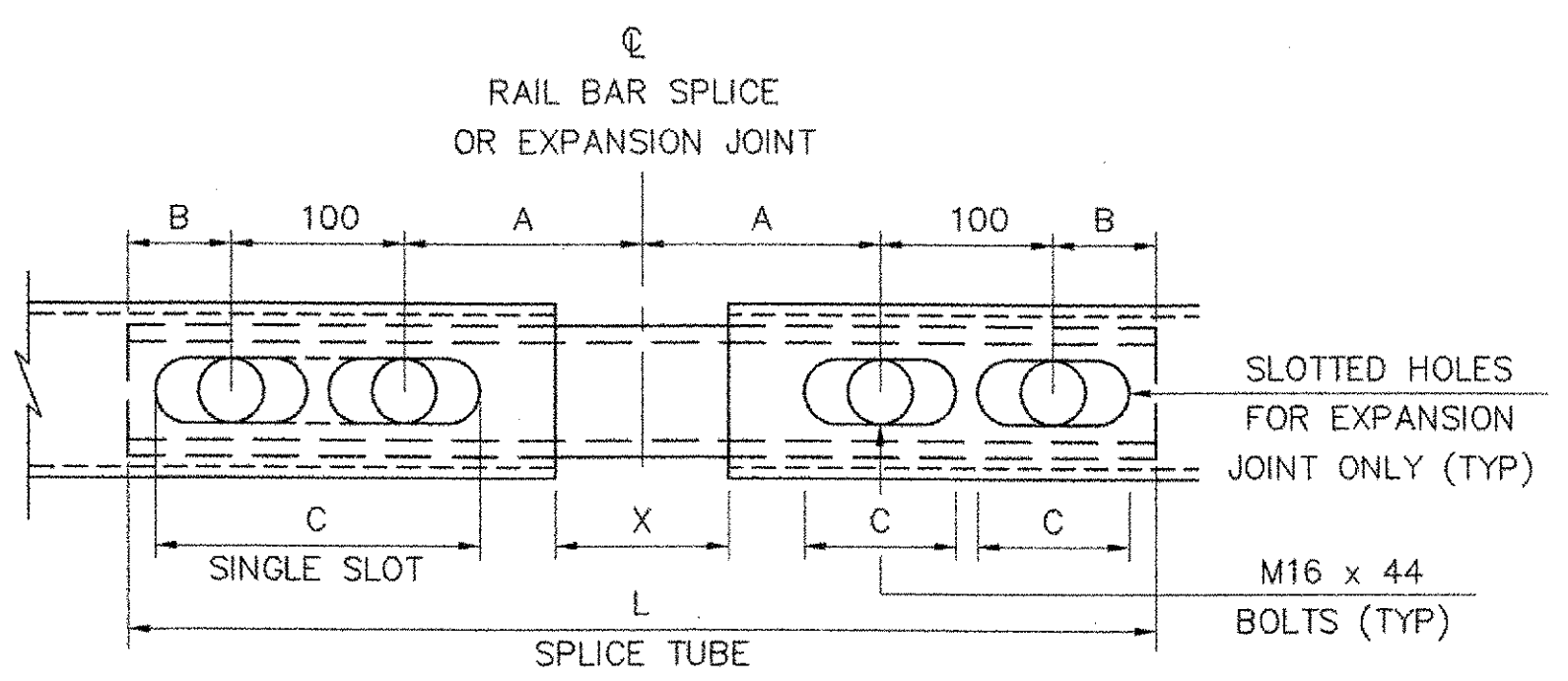
FOR DETAILS NOT SHOWN SEE "RAIL TUBE SPLICE SECTION"



RAIL POST ANCHORAGE

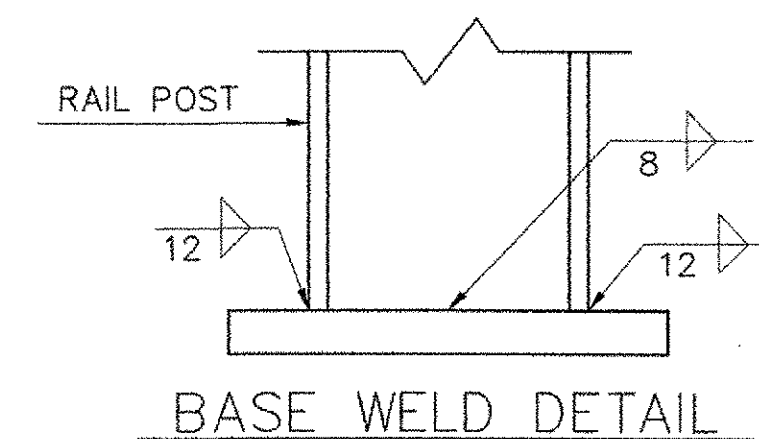


RAIL TUBE SPLICE SECTION



RAIL TUBE SPLICE AND RAIL EXPANSION JOINT DETAIL

(BOTTOM VIEW)



BASE WELD DETAIL

MATERIALS:

- RAIL TUBES.....ASTM A500, GRADE B OR ASTM A501
- RAIL POSTS AND BASE PLATE.....ASTM A709/A709M, GRADE 50
- ALL OTHER SHAPES AND PLATES.....ASTM A709/A709M, GRADE 36
- ANCHOR STUDS.....ASTM A449
- ALL OTHER BOLTS (UNLESS NOTED).....AASHTO M164M, TYPE I
- NUTS FOR AASHTO M164 BOLTS AND ANCHOR STUDS SHALL COMPLY WITH AASHTO M291M (ASTM A563M).
- WASHERS SHALL COMPLY WITH AASHTO M293M (ASTM F436M) SPECIFICATIONS.
- 3mm PAD SHALL COMPLY WITH STANDARD SPECIFICATION SUBSECTION 731.01 OR 731.02.

SPLICE TABLE					
T	A	B	C	L	X
NA	100	50	--	510	20
EXPANSION JOINT TABLE					
<100	100	50	65	510	65
→100 ←165	140	60	90	605	105
→165 ←230	165	85	230*	705	130
→230 ←330	215	110	280*	860	180

T = TOTAL MOVEMENT BETWEEN BRIDGE EXPANSION JOINTS. SEE NOTE 6
* = SINGLE SLOT

STATE OF VERMONT AGENCY OF TRANSPORTATION	
Town Of LYNDON	Bridge No. 2
Highway No. VT 114	Log Sta. Surv. Sta.
VT 114 OVER PASSUMPSIC RIVER	
BRIDGE RAILING (1 OF 2)	
Designed By VTRANS	Drawn By VTRANS
Checked By VTRANS / J.T.K. 3/06	Date Bridge Design Supervisor M.A. COLGAN Date 3/06
PROJECT LYNDON	PROJECT NO. BRF 0269(10)
I.G.C. Info.	Bridge Sheet No. BR1-97M
	Sheet 37 of 72