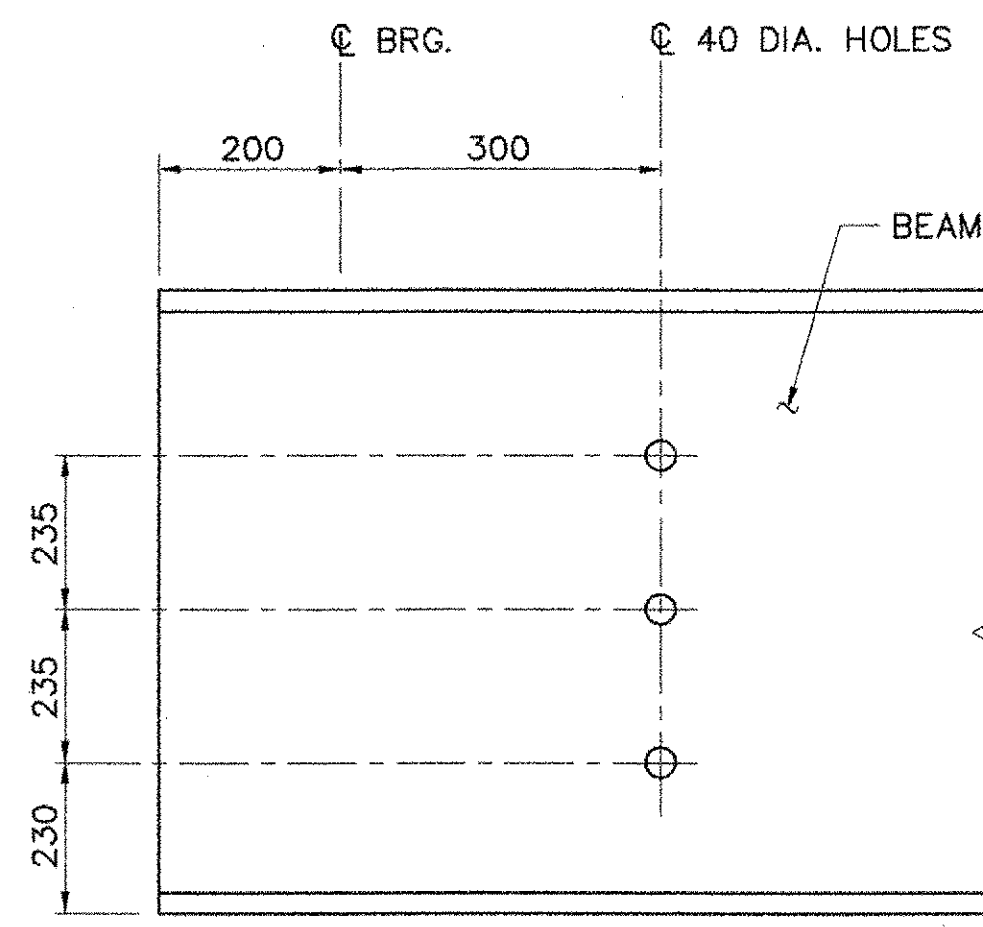
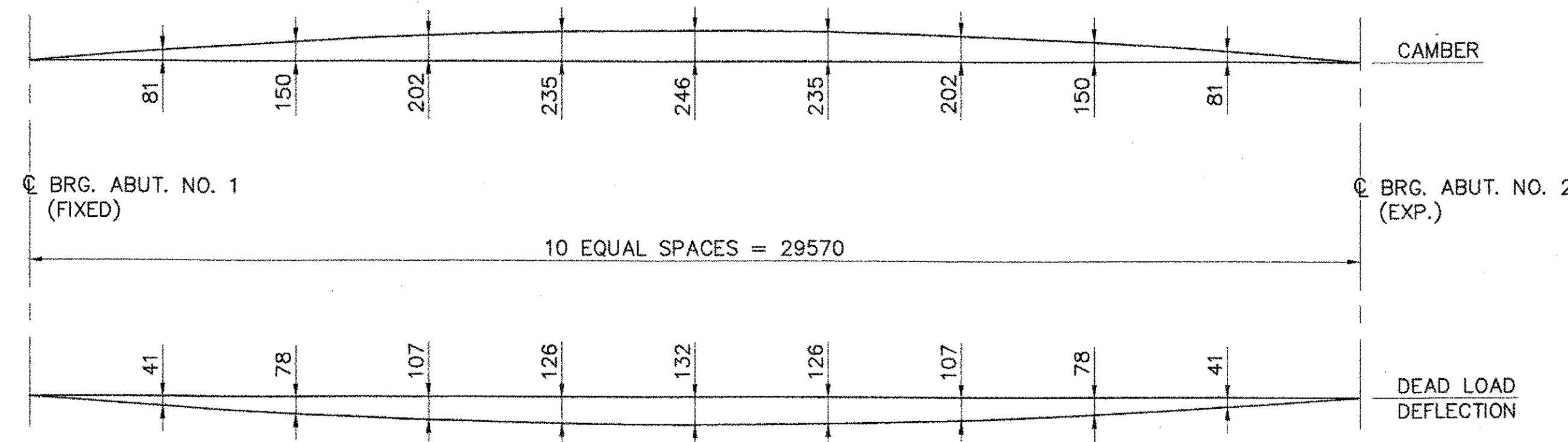


CVN = CHARPY V NOTCH TESTING REQUIRED PER SPECIFICATION

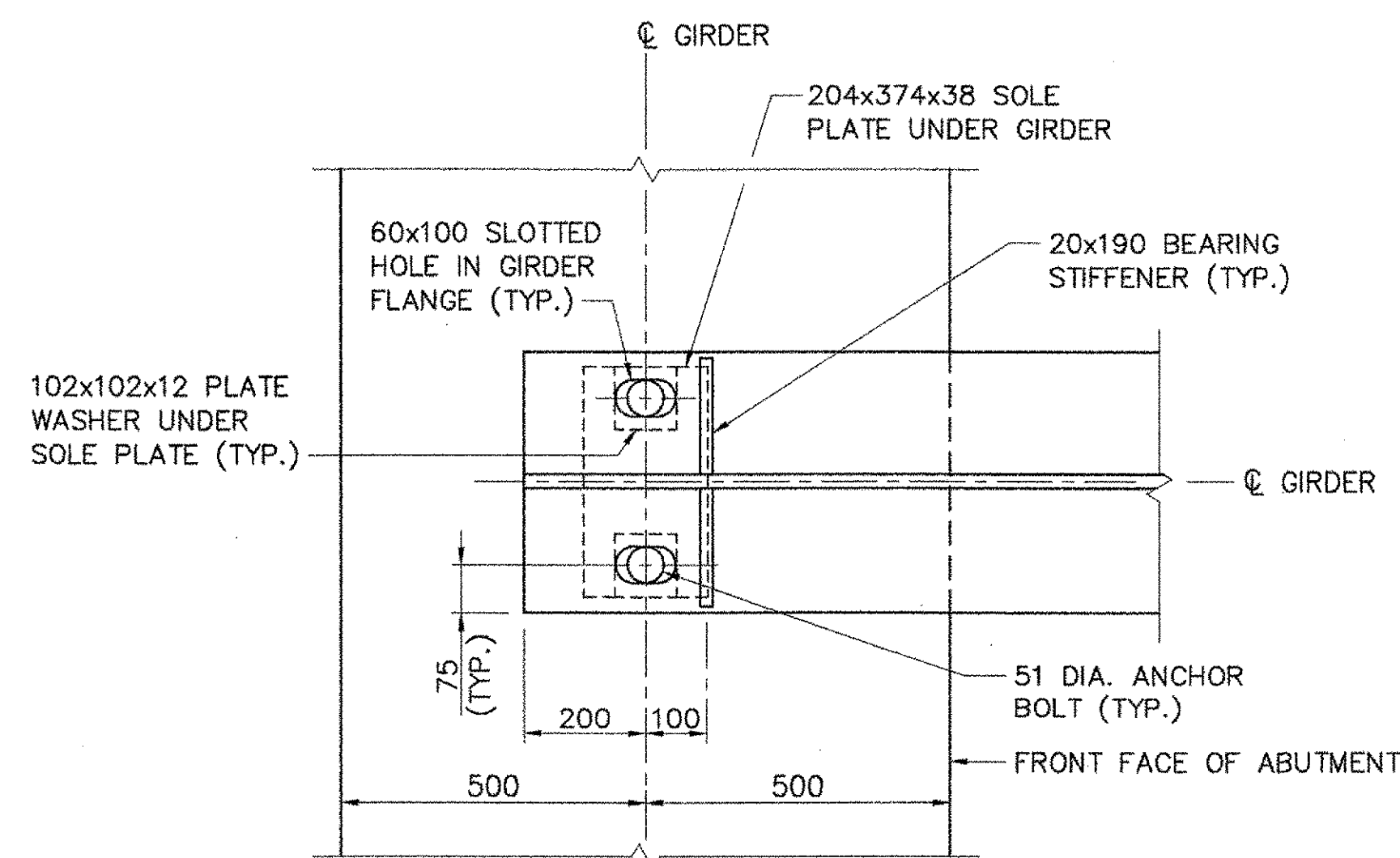
**BEAM ELEVATION**  
NOT TO SCALE



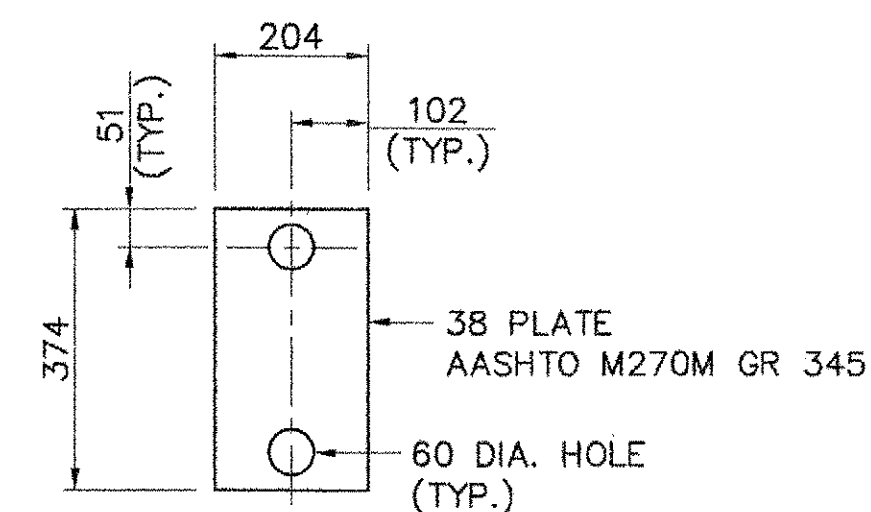
**GIRDER END DETAIL**  
NOT TO SCALE



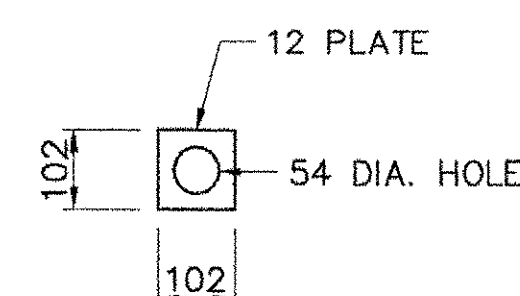
**DEAD LOAD DEFLECTION AND CAMBER DIAGRAM**  
NOT TO SCALE



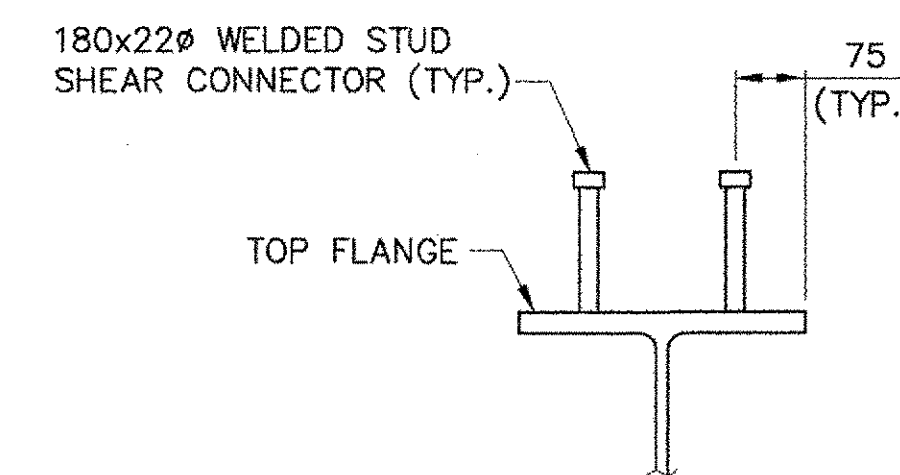
**PLAN OF GIRDER END**



**SOLE PLATE DETAIL**



**PLATE WASHER DETAIL**



**SHEAR CONNECTOR DETAIL**  
NOT TO SCALE

**NOTES:**

1. BEARINGS SHALL BE PAID AS ITEM 531-10, BEARING DEVICE ASSEMBLY (INTEGRAL ABUTMENT).
2. ALL STEEL IN BEARING DEVICE SHALL BE AASHTO M270, GRADE 250.

STATE OF VERMONT AGENCY OF TRANSPORTATION			
Town Of	LYNDON	Bridge No.	2
Highway No.	VT 114	Log Sta.	
		Surv. Sta.	
VT 114 OVER PASSUMPSIC RIVER			
BEAM ELEVATION & DETAILS			
Designed By	J.T. KLEIN	Drawn By	B.J. MASSE
Checked By	L.S. GARDNER	Date	3/06
		Bridge Design Supervisor	M.A. COLGAN Date 3/06
PROJECT	LYNDON	PROJECT NO.	BRF 0269(10)
I.G.C. Info.			
Bridge Sheet No.	50544SD1	Sheet	29 of 72