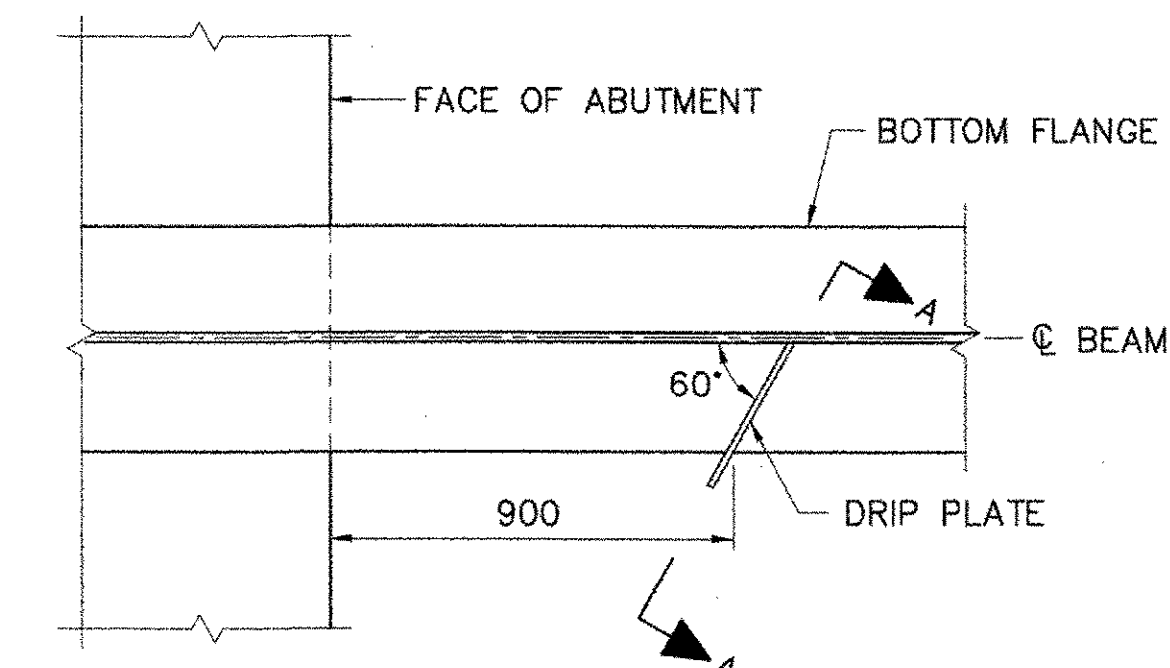
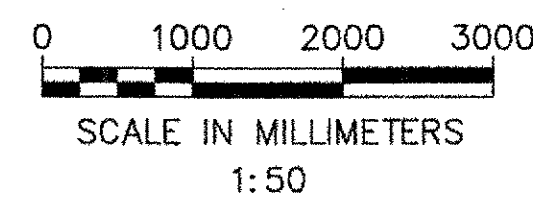
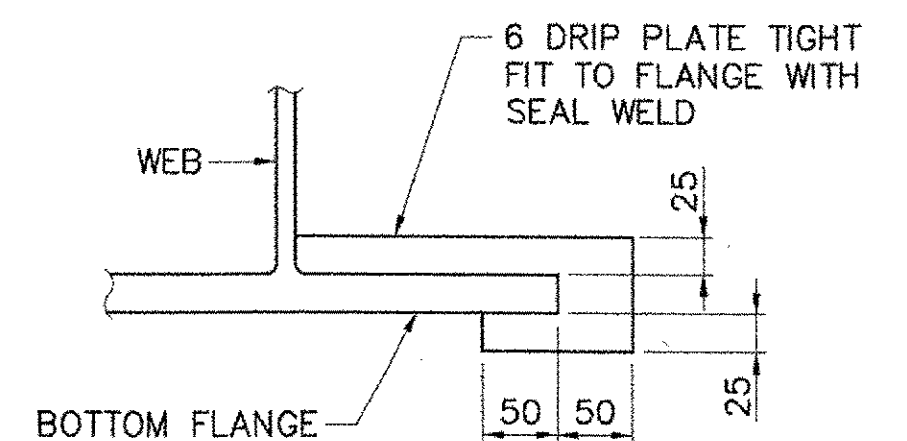


**FRAMING PLAN**  
SCALE: 1:50

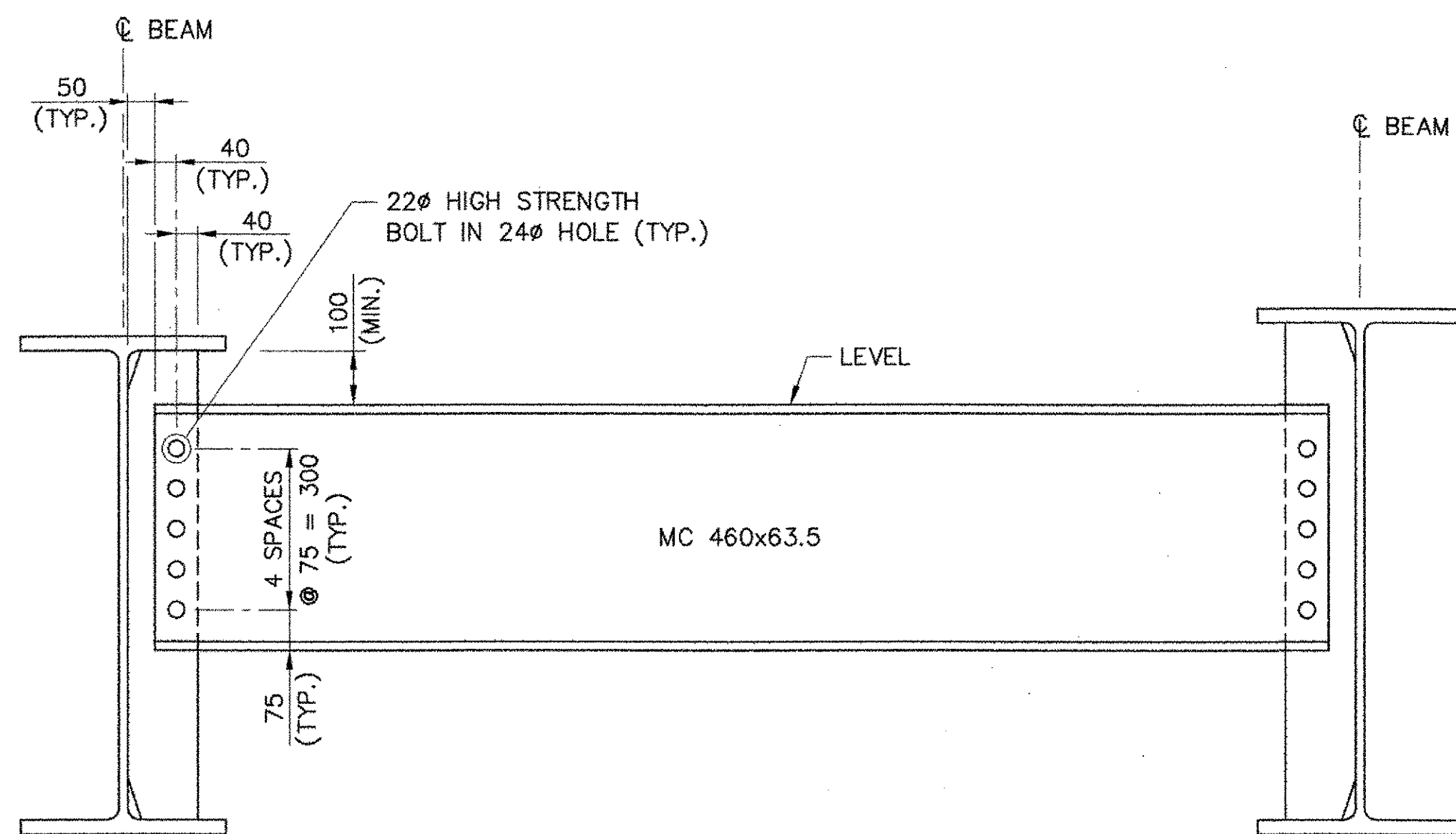


**PLAN**

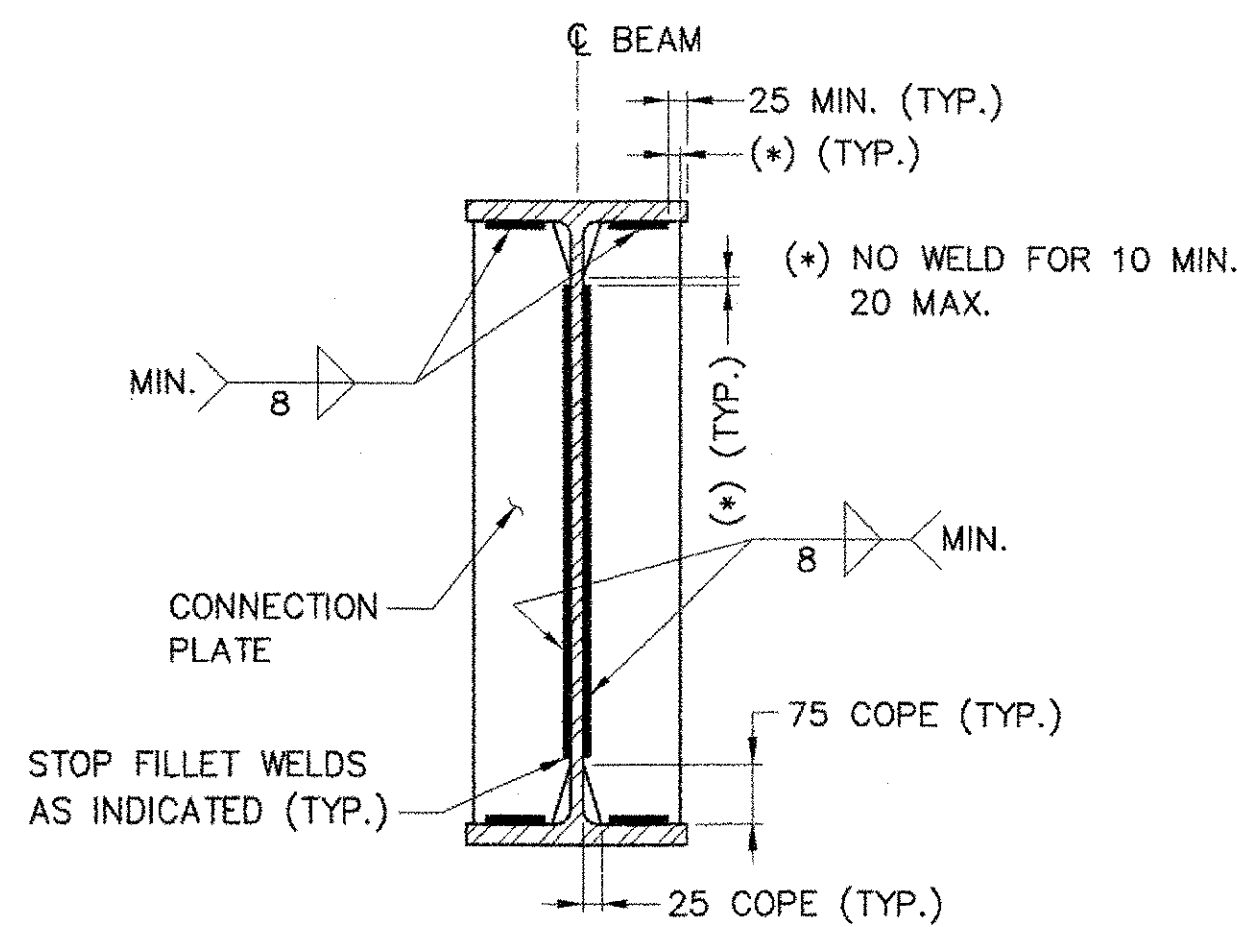
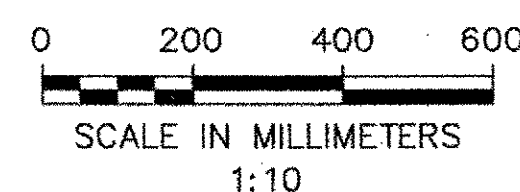


**SECTION A-A**

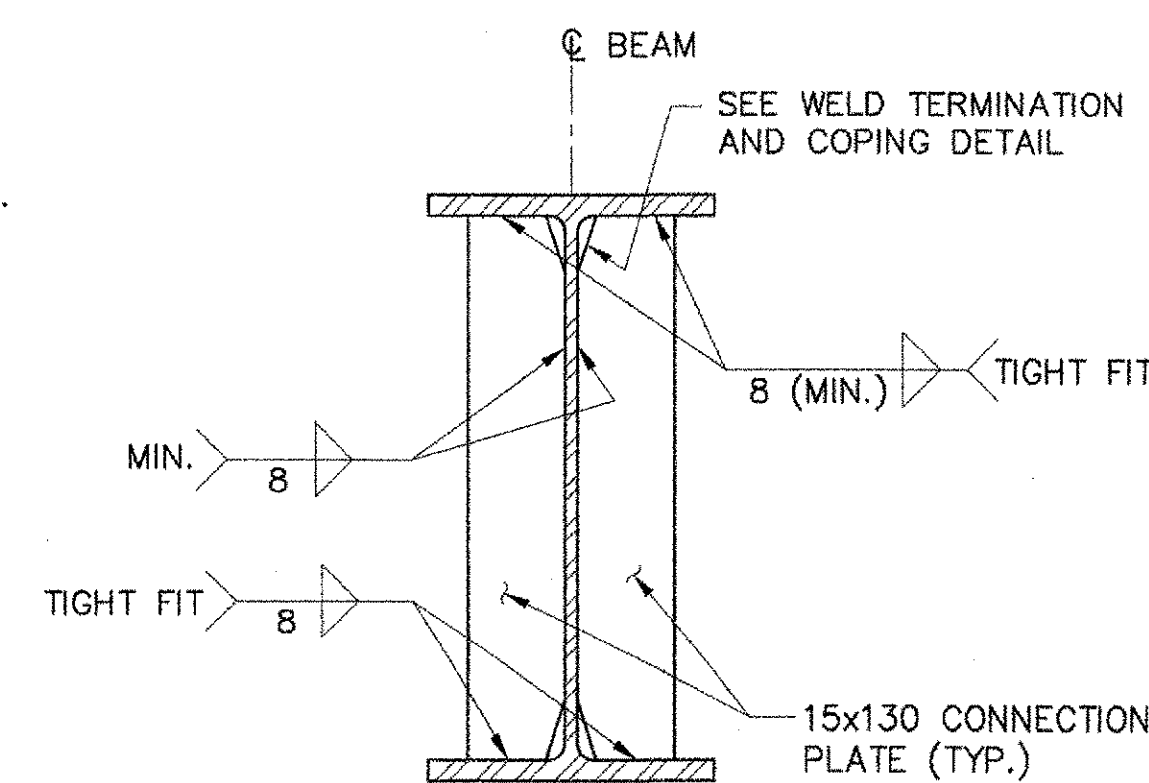
**DRIP PLATE DETAIL**  
NOT TO SCALE



**DIAPHRAGM**  
SCALE: 1:10



**WELD TERMINATION  
AND COPING DETAIL**  
NOT TO SCALE



**CONNECTION PLATE DETAIL**  
NOT TO SCALE

<b>STATE OF VERMONT AGENCY OF TRANSPORTATION</b>			
Town Of	LYNDON	Bridge No.	2
Highway No.	VT 114	Log Sta.	
		Surv. Sta.	
VT 114 OVER PASSUMPSIC RIVER			
<b>FRAMING PLAN</b>			
Designed By	J.T. KLEIN	Drawn By	B.J. MASSE
Checked By	L.S. GARDNER	Date	3/06
		Bridge Design Supervisor	M.A. COLGAN Date 3/06
PROJECT	LYNDON	PROJECT NO.	BRF 0269(10)
I.G.C. Info.	Bridge Sheet No. 50544FRM	Sheet	28 of 72