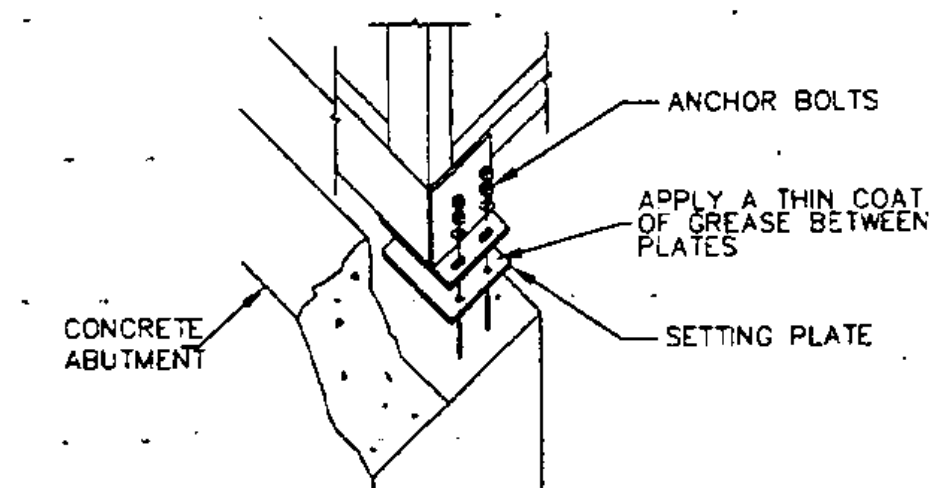


ABUTMENT PLAN

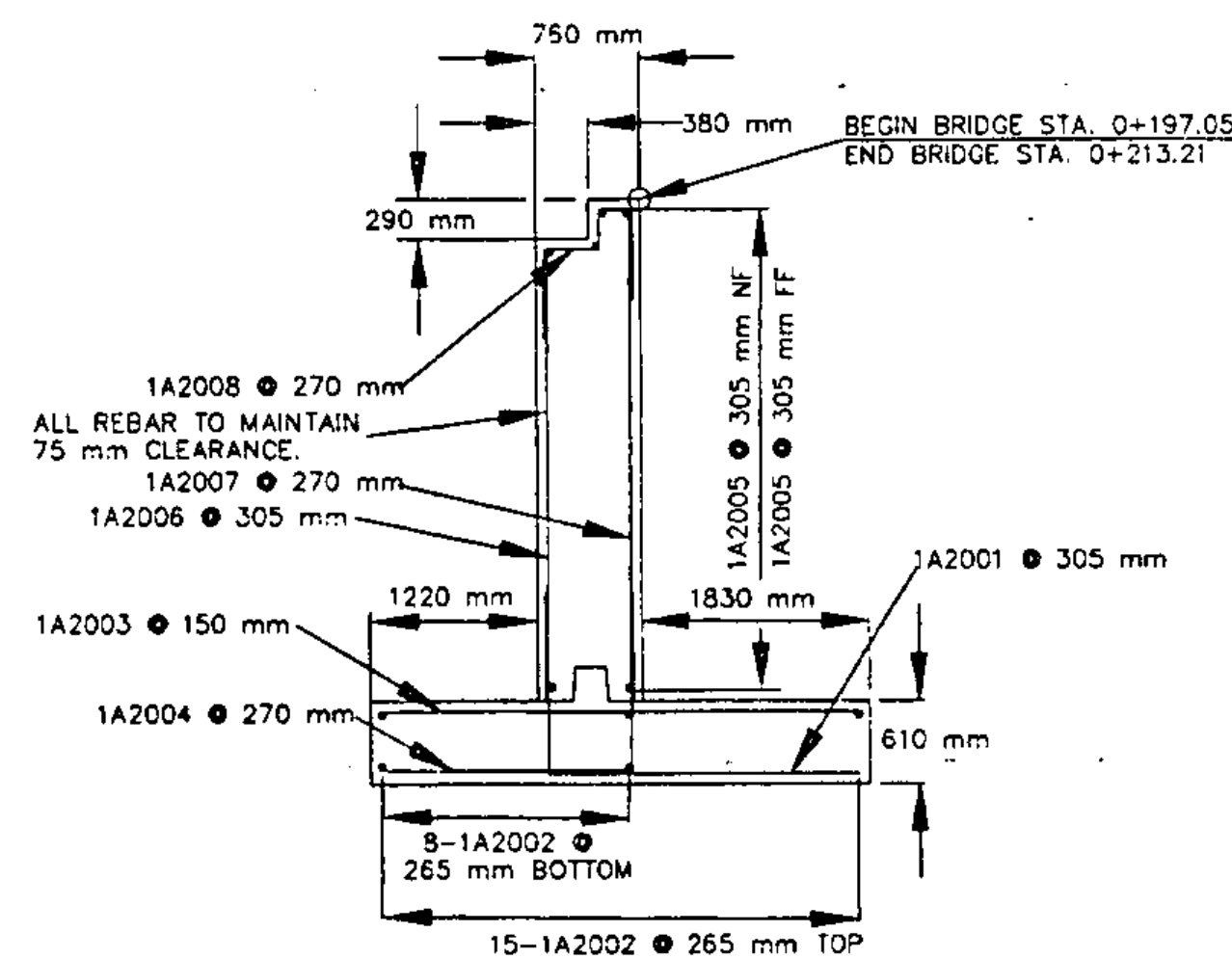
SCALE 1:50

NOTE: BACKWALL HEIGHT/BEARING SEAT ELEVATION AND ANCHOR BOLT PLACEMENT TO BE VERIFIED WITH SHOP DRAWINGS FOR EXACT BRIDGE SELECTED. CONTRACTOR TO VERIFY DISTANCE FROM THE CENTERLINE OF THE BRIDGE SEAT TO THE BACKWALL LOCATION OF SUBSTRUCTURE MAY VARY WITH BRIDGE SELECTED.



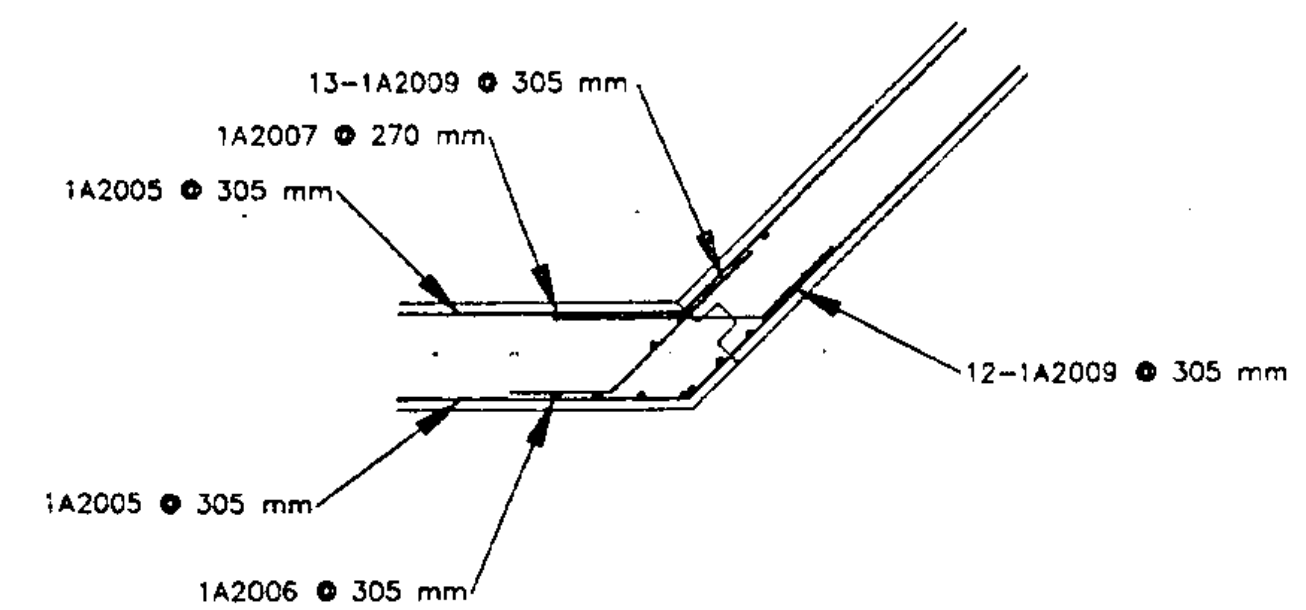
INSTALLING BRIDGE ON ABUTMENTS

NTS



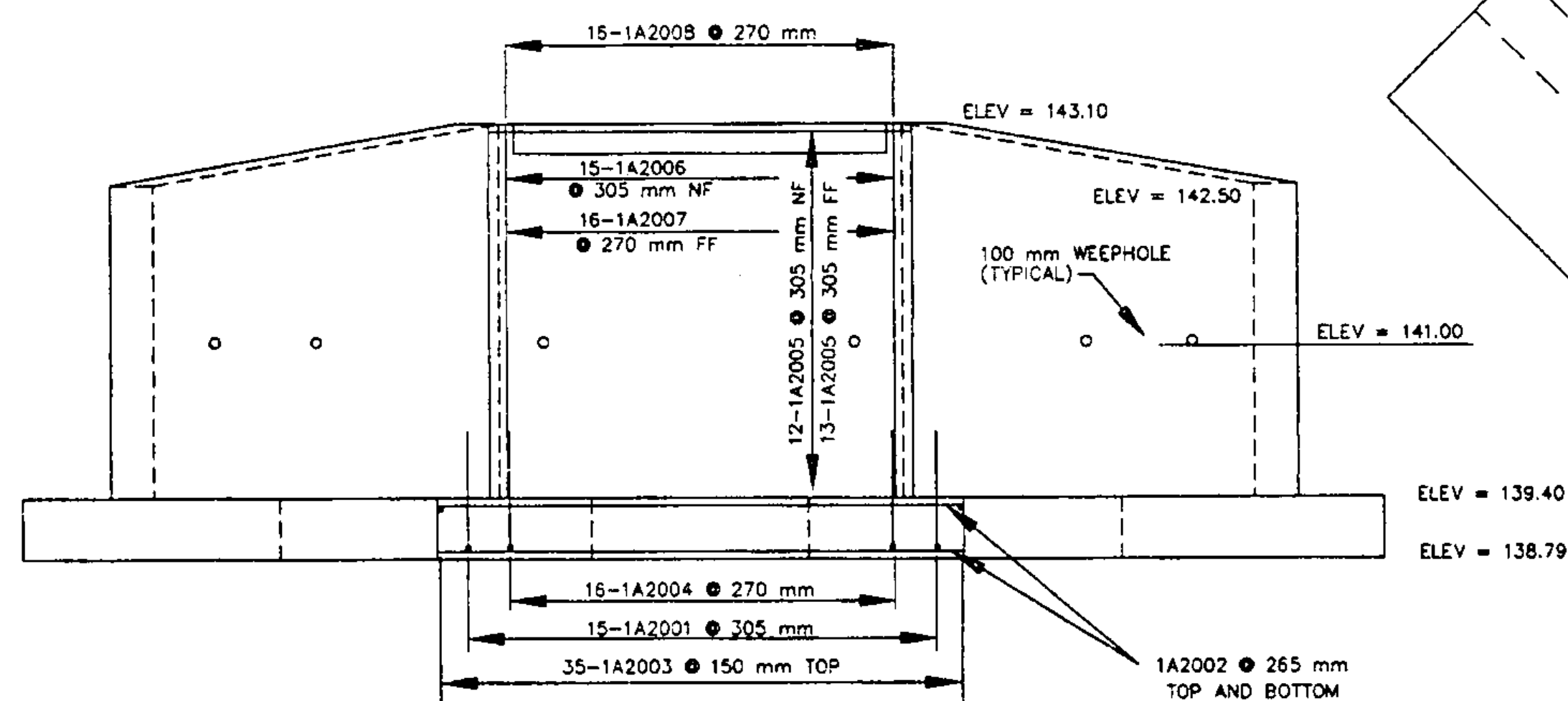
ABUTMENT TYPICAL

SCALE 1:50



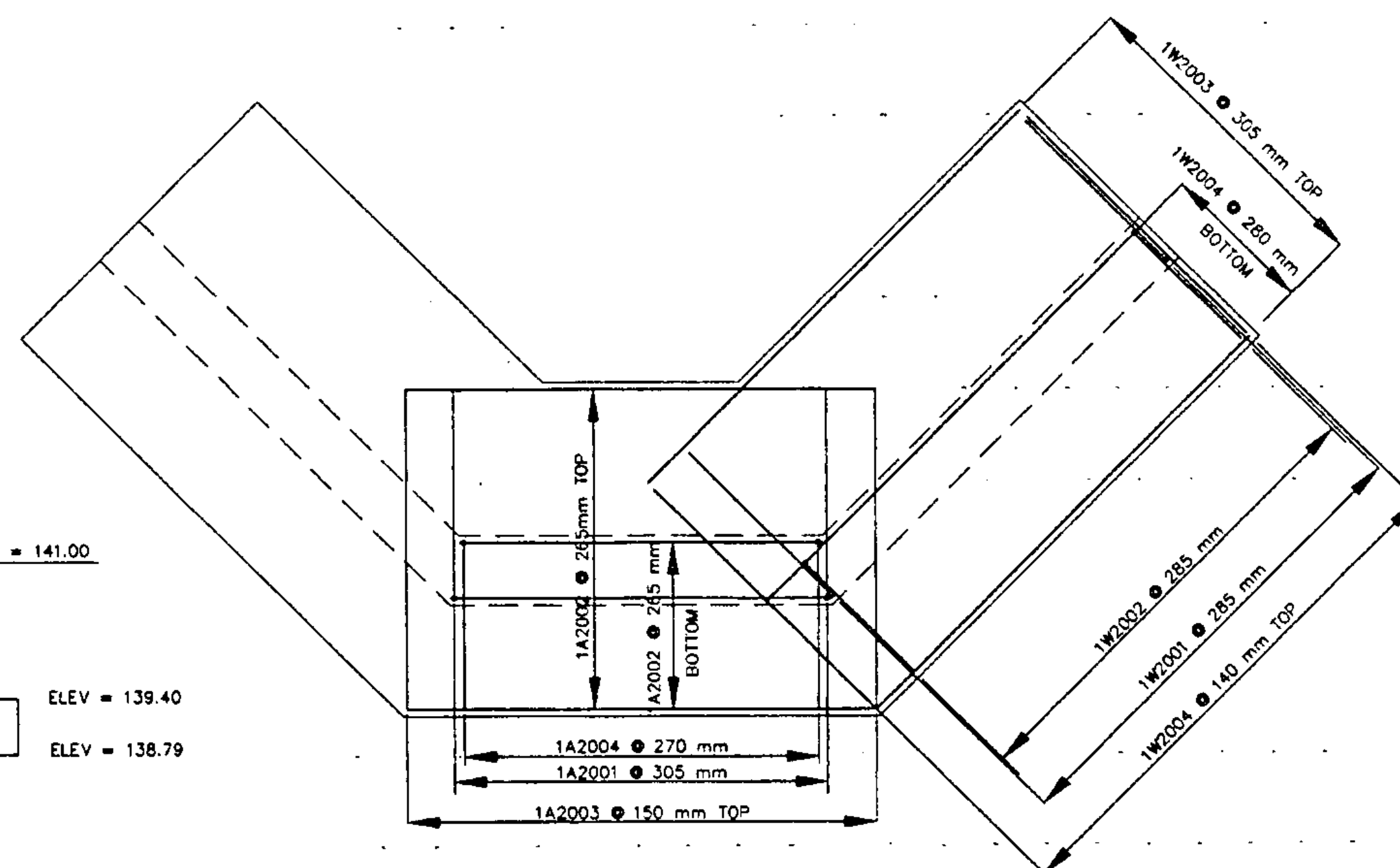
CORNER DETAIL

NTS



ABUTMENT ELEVATION

SCALE 1:50



FOOTING REINFORCING PLAN

SCALE 1:50

LEGEND

- NF NEAR FACE
- FF FAR FACE
- EF EACH FACE



| | | |
|---|--------------------------|---|
| 9-20-95 | REVISED PER STATE REVIEW | DLH |
| 7-31-95 | REVISED PER STATE REVIEW | DLH |
| date | description | by |
| REVISIONS | | |
| STATE OF VERMONT AGENCY OF TRANSPORTATION | | proj. no. 93-064 |
| TRANSPORTATION PATH WILLISTON STP BIKE (9) IN WILLISTON VERMONT | | survey HL S/ABR design LAL/KAS drawn KAS checked LAL date 2-2-94 |
| LAMOUREUX, STONE & O'LEARY Consulting Engineers Inc. 14 Morse Drive Essex Junction, VT 05452 (802) 878-4450 | | scale 1:50 sheet no. 25 OF 36 |
| Engineers-Planners-Surveyors | | |

