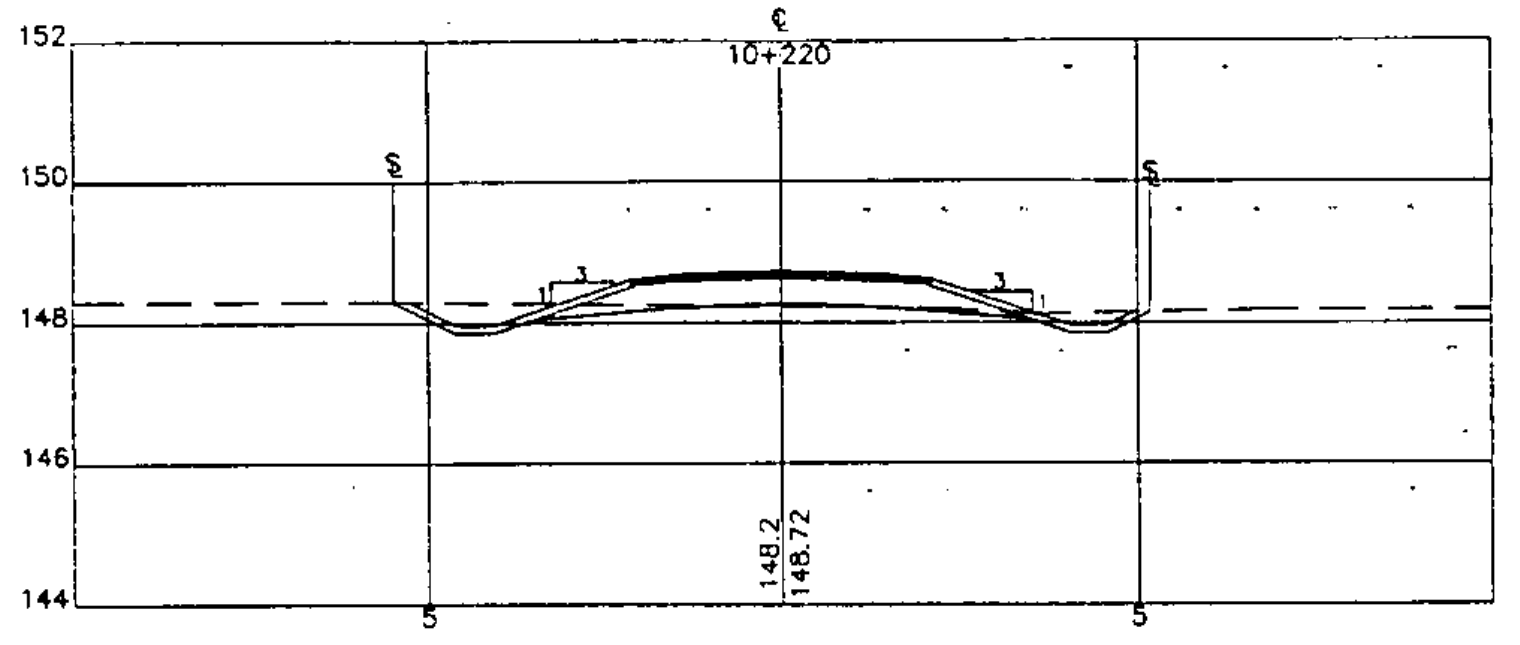
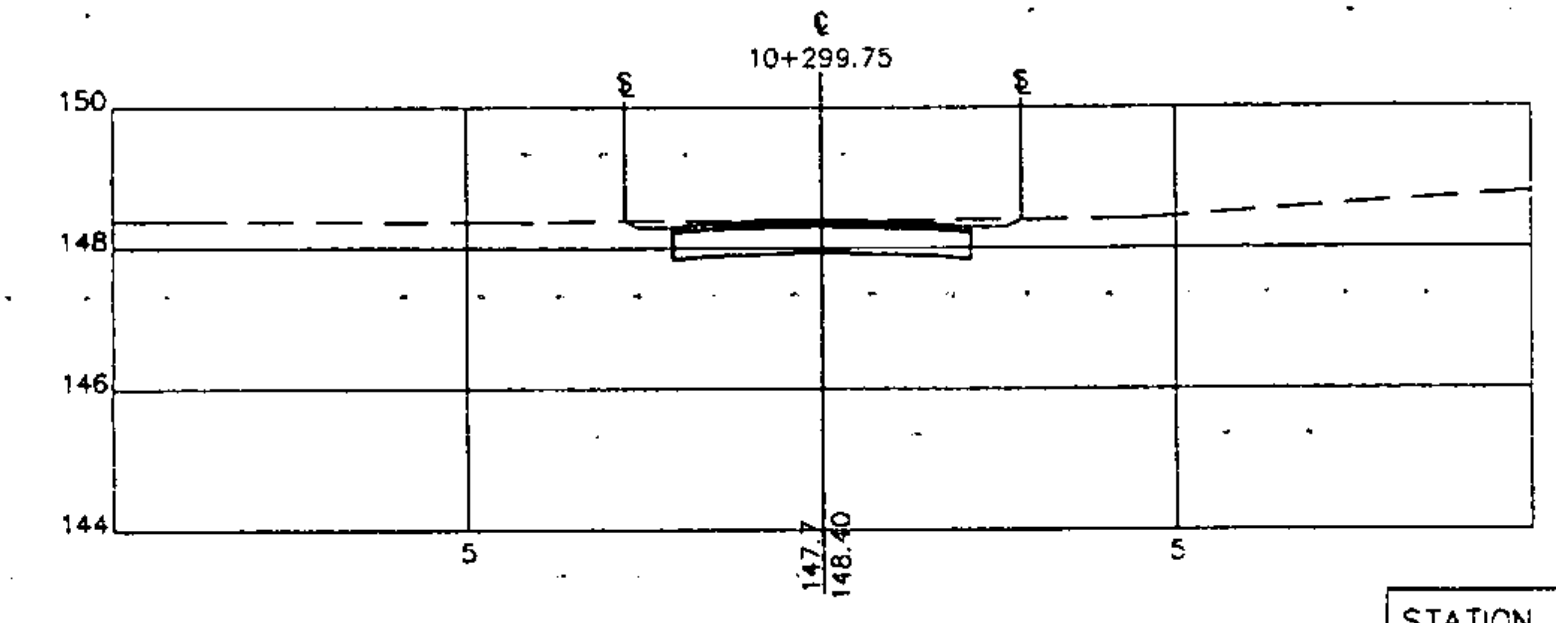


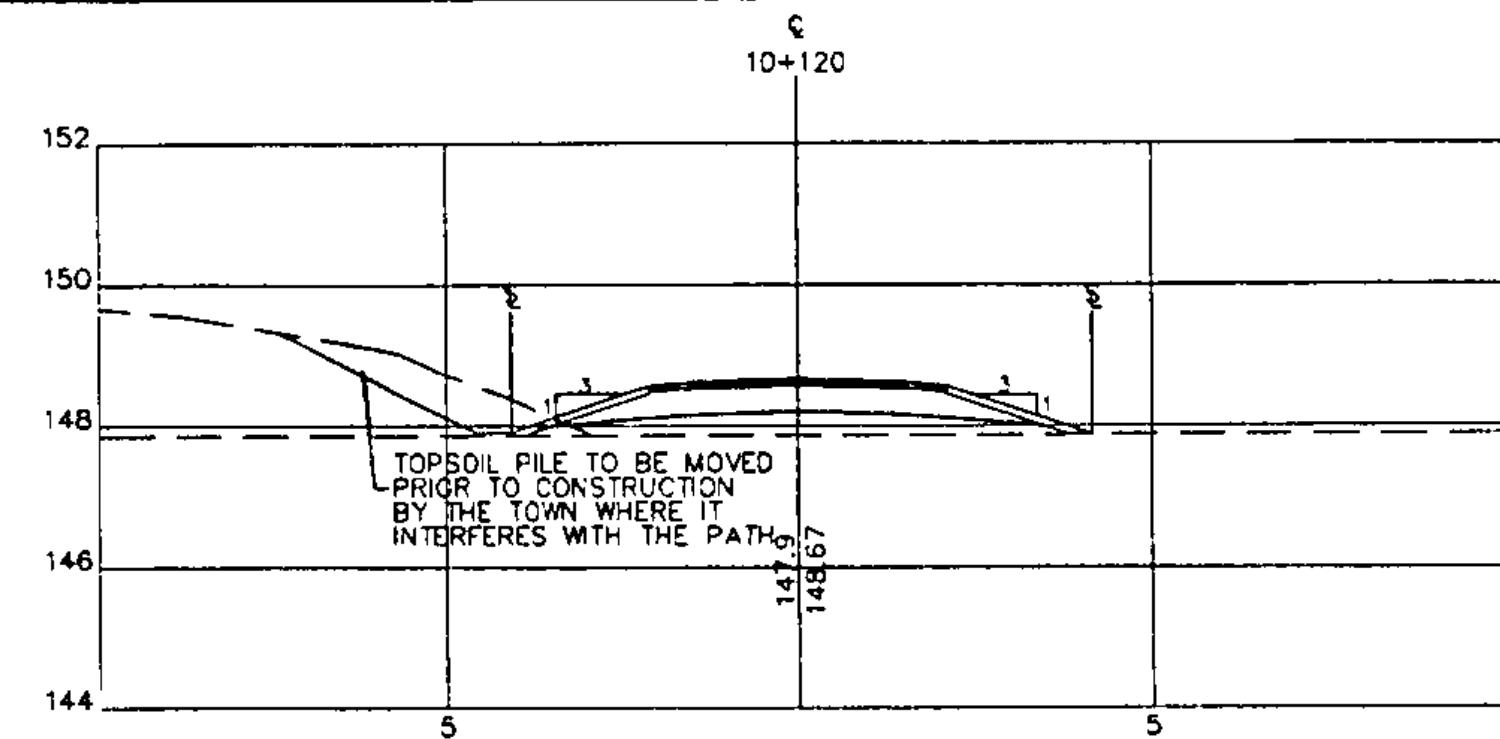
STATION 10+140



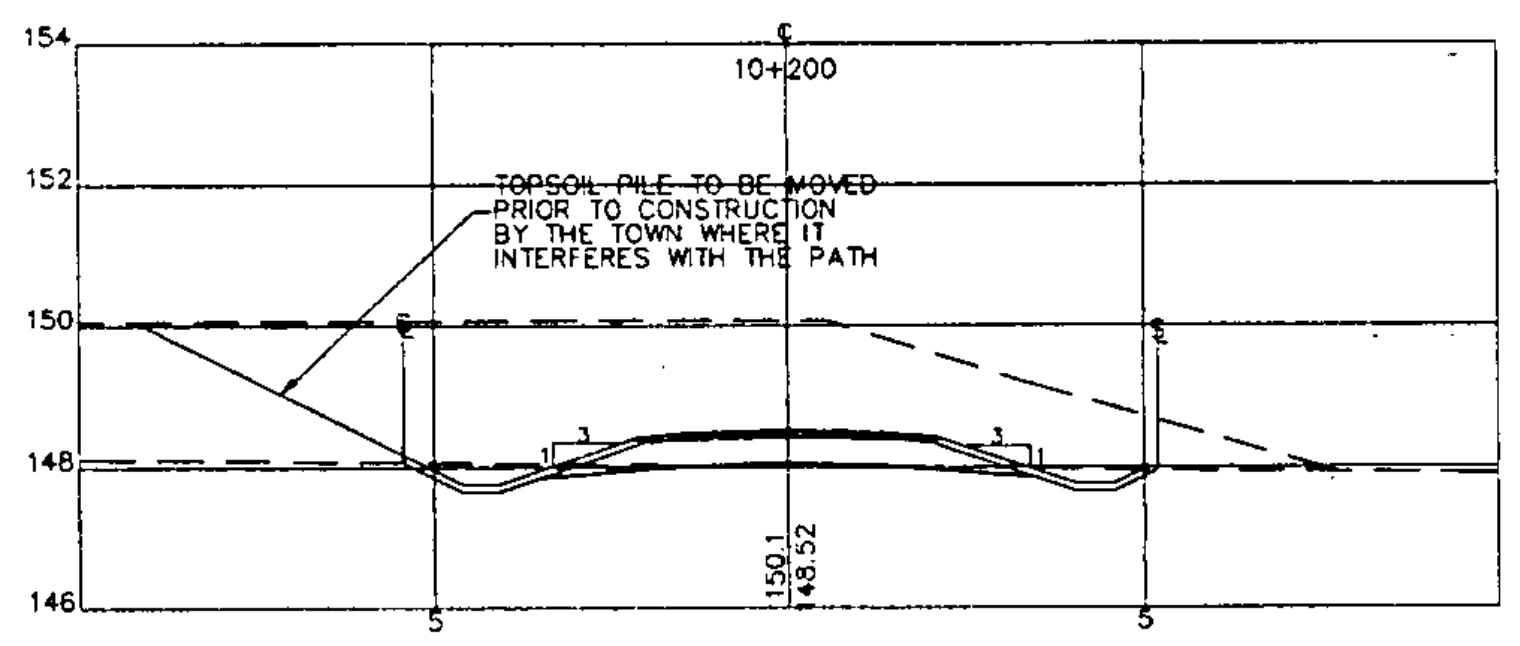
STATION 10+220



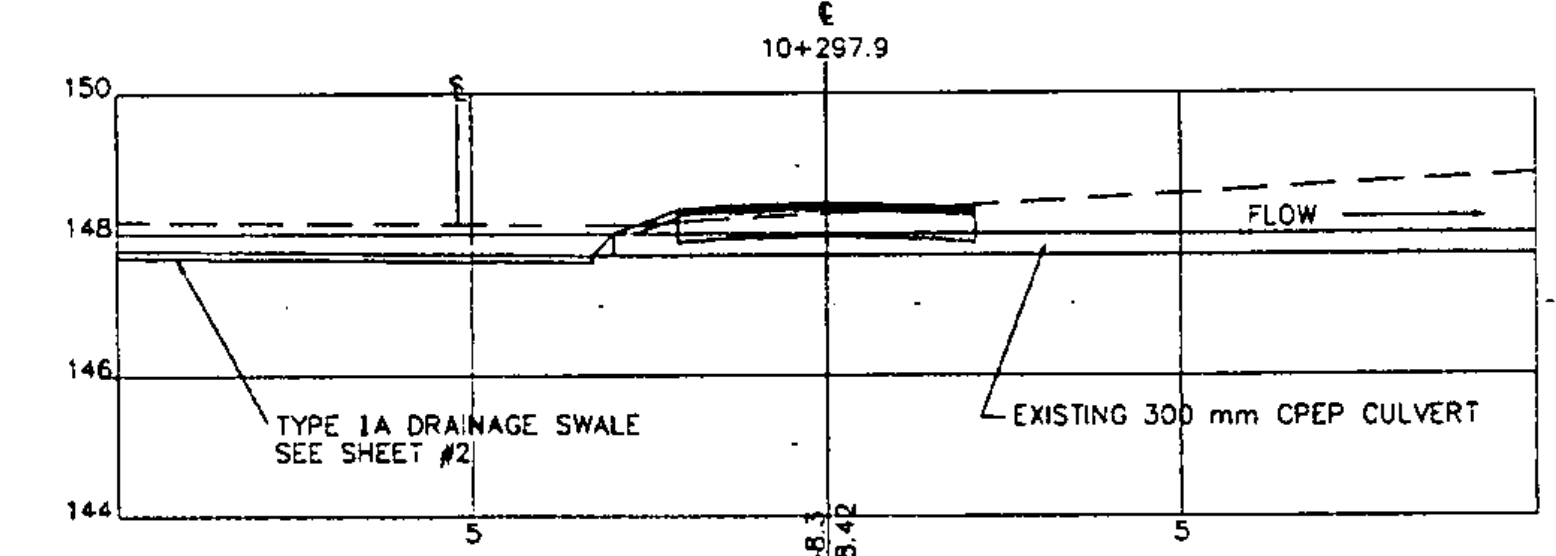
STATION 10+299.75



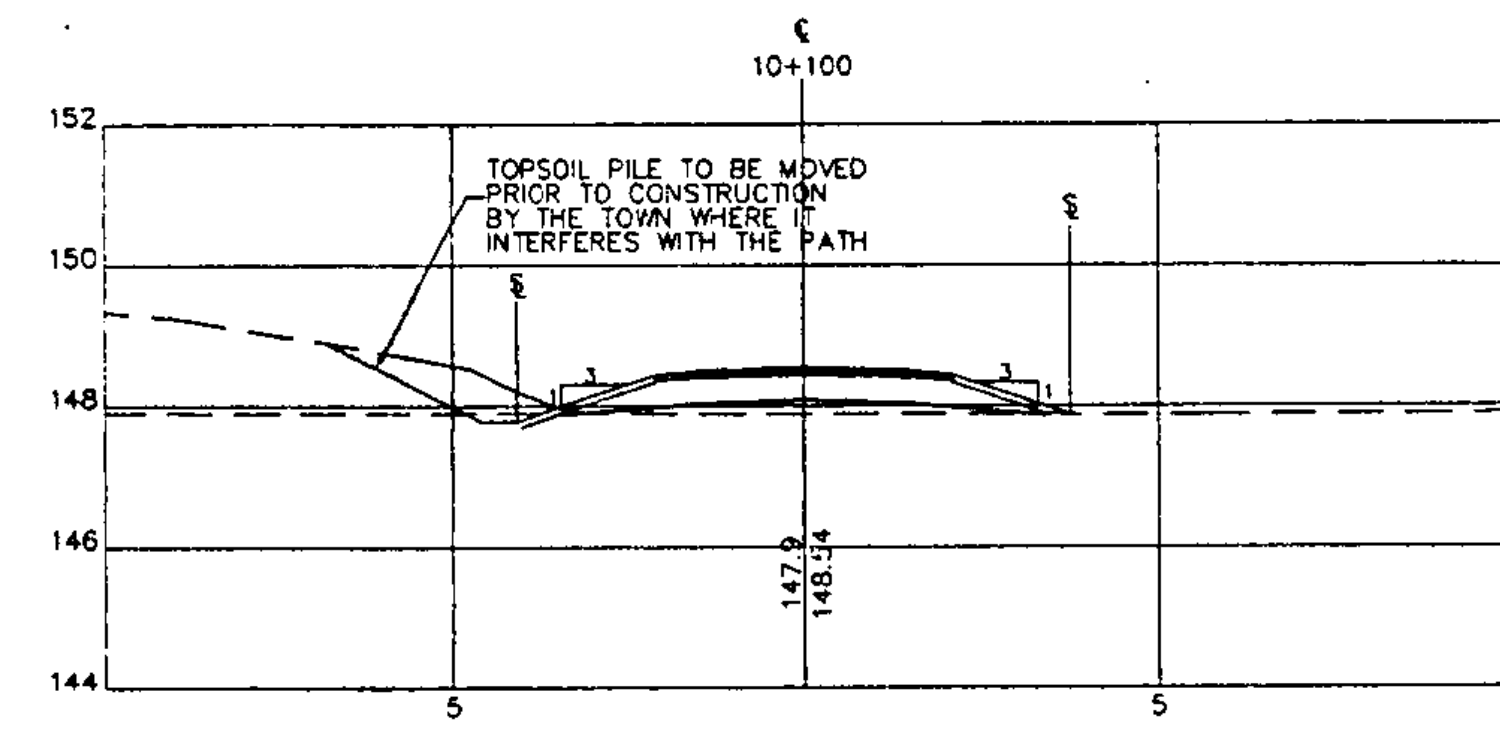
STATION 10+120



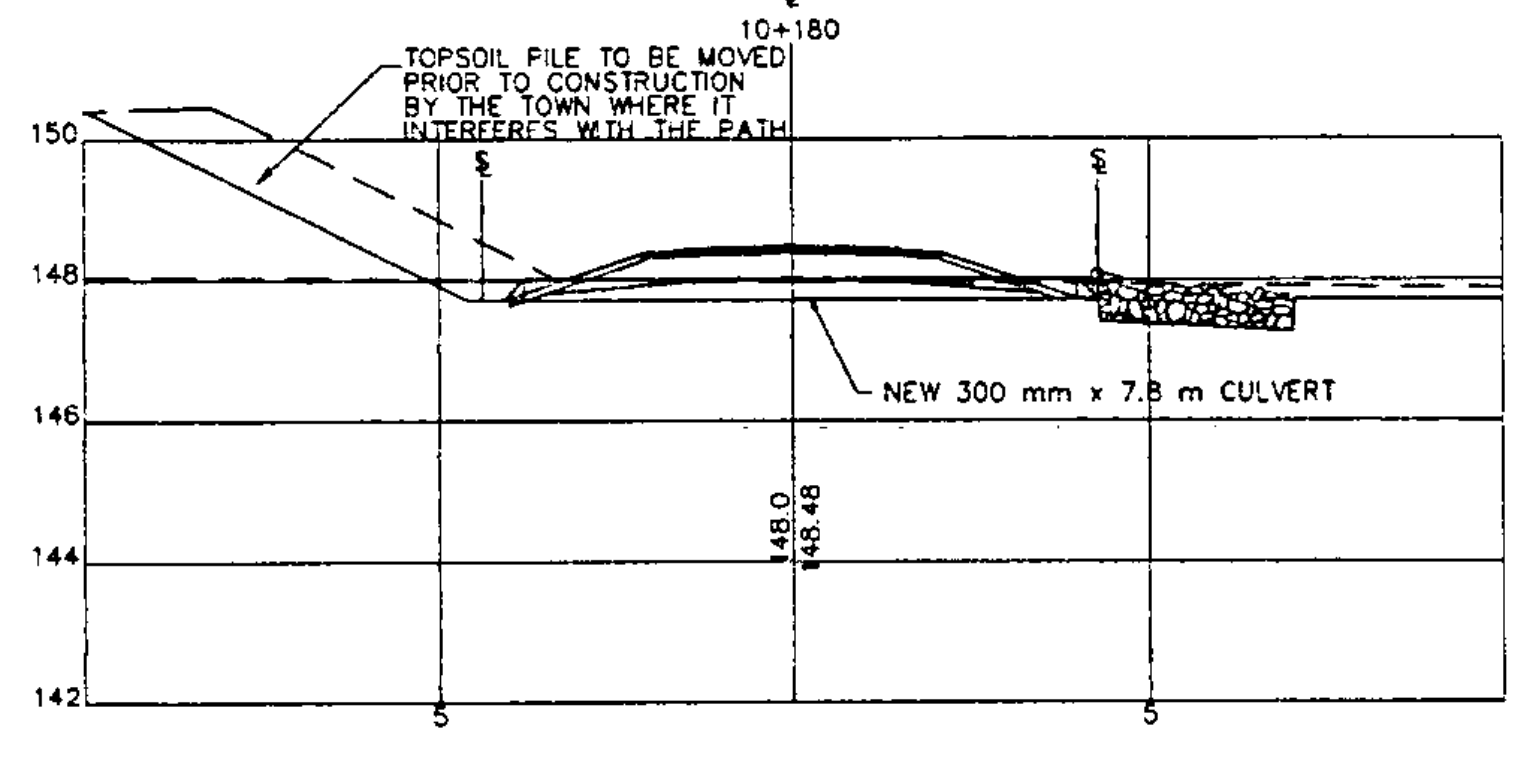
STATION 10+200



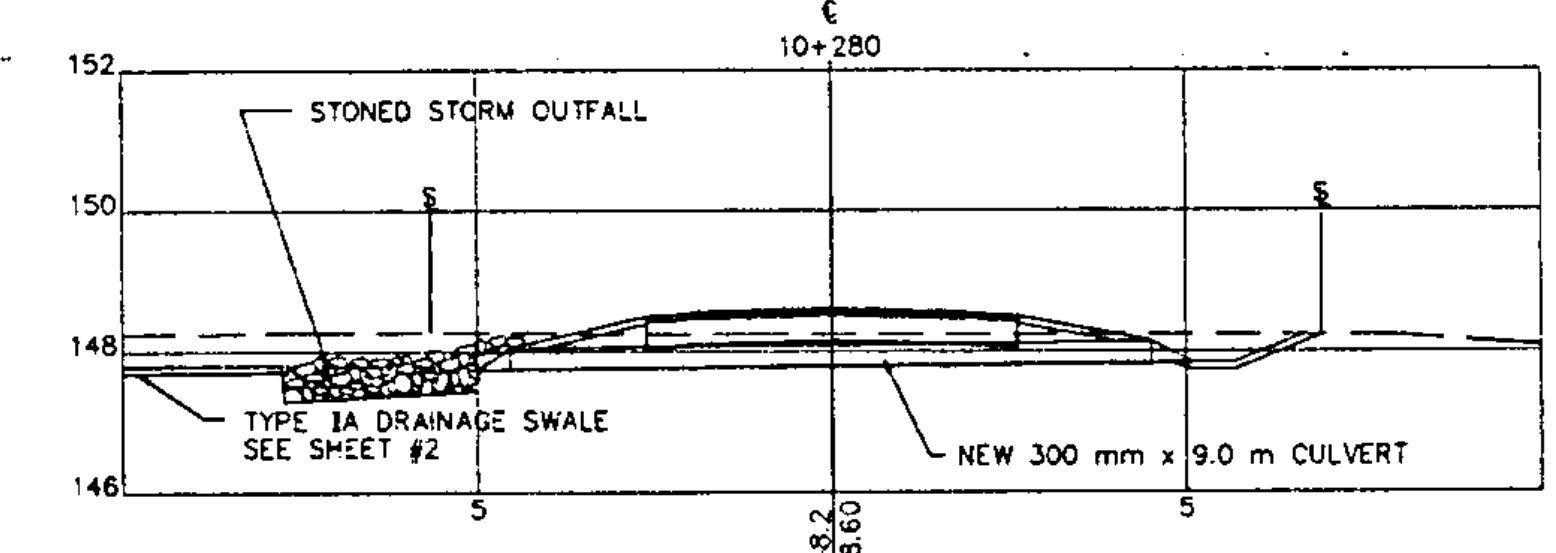
STATION 10+297.9



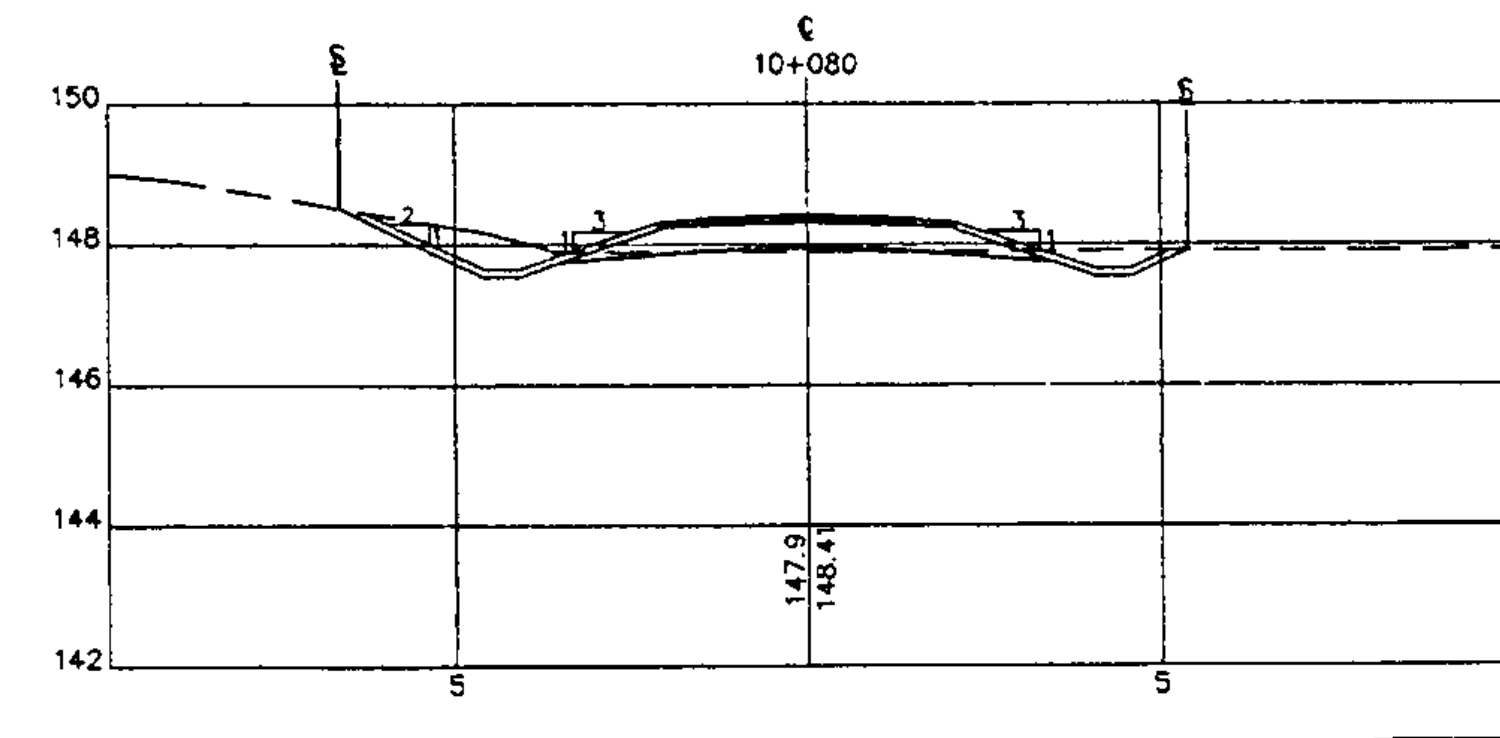
STATION 10+100



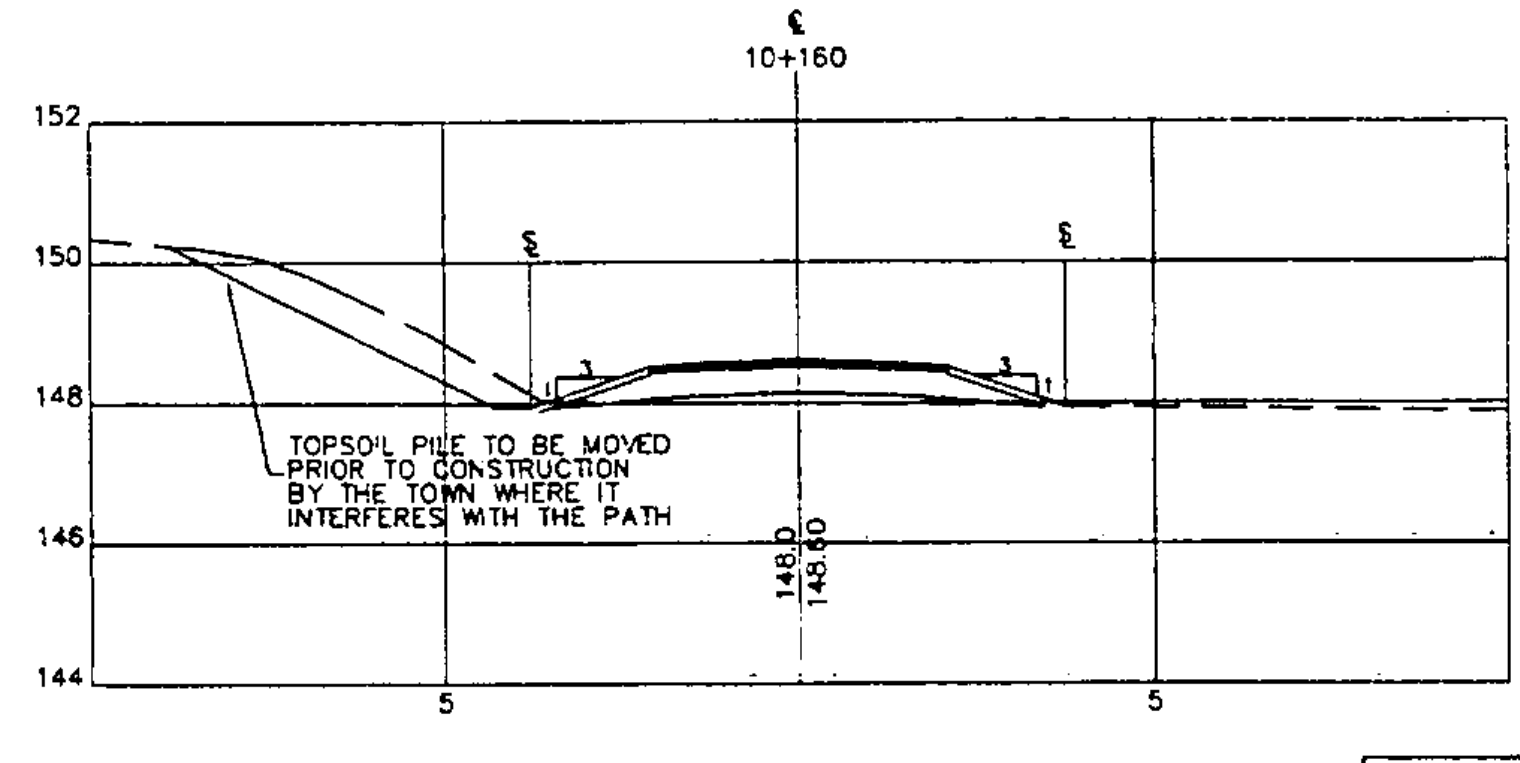
STATION 10+180



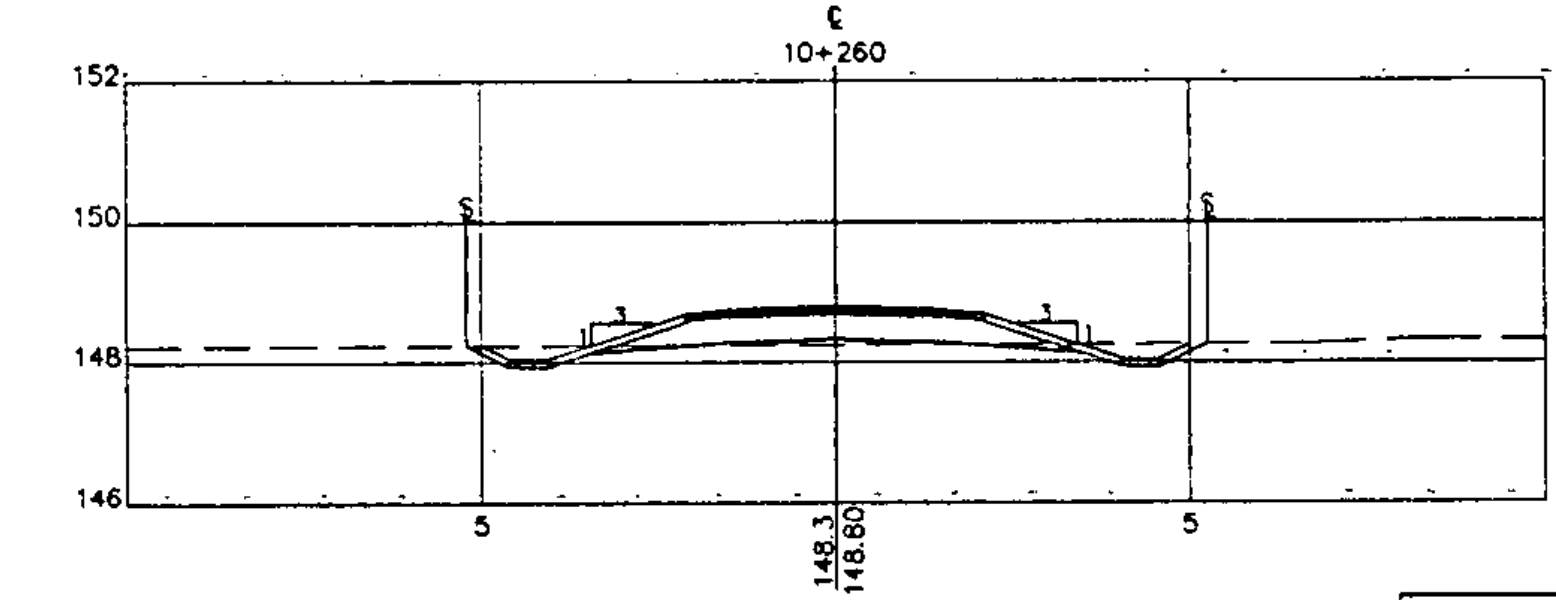
STATION 10+280



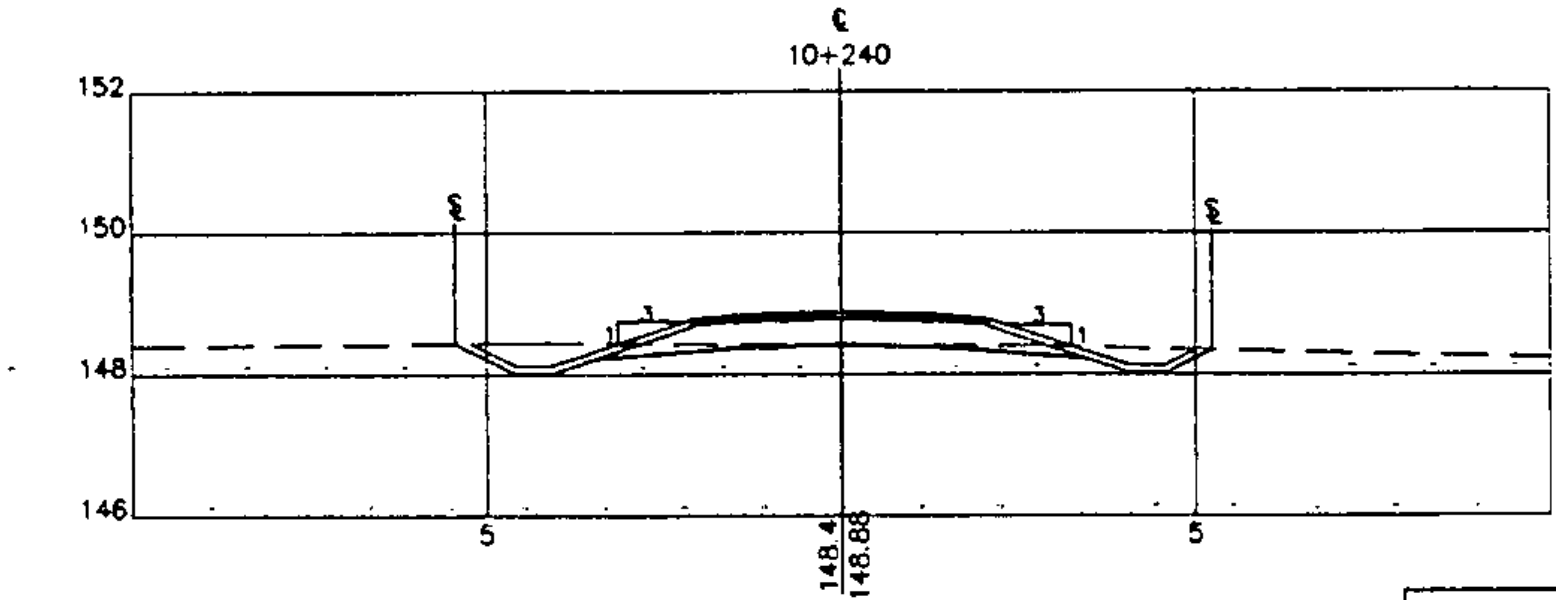
STATION 10+080



STATION 10+160



STATION 10+260



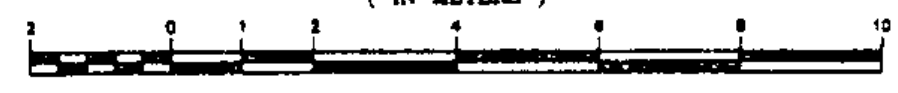
STATION 10+240

LEGEND

- SLOPE RIGHTS AND CLEARING LIMITS
- - - - - EXISTING GROUND

GRAPHIC SCALE

(IN METERS)



1 : 100

LAMOUREUX, STONE & O'LEARY
 Consulting Engineers Inc.
 14 Morse Drive
 Essex Junction, VT 05452
 (802) 878-4450
 Engineers-Planners-Surveyors



WILLISTON BIKE PATH
 JOB #: 93-064 STP-BIKE-(9)
 DRAWING #:
 21 OF 36