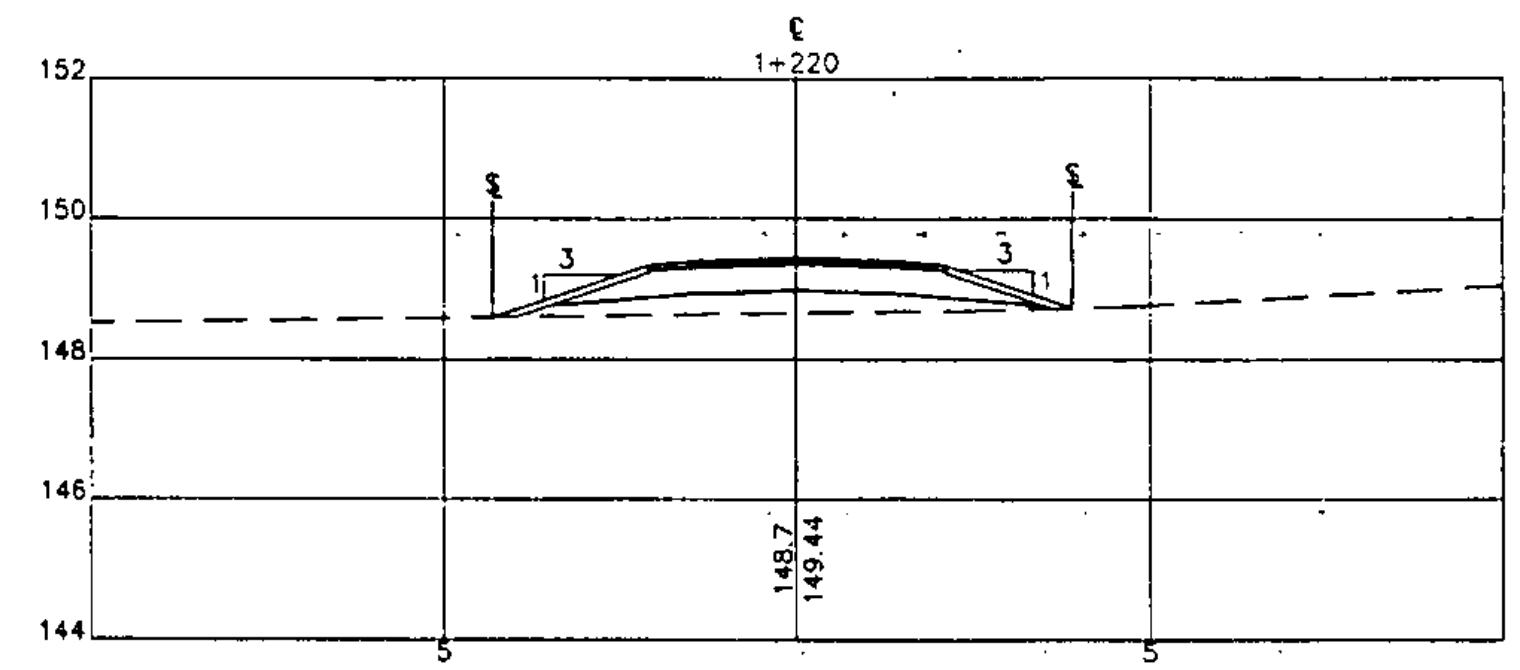
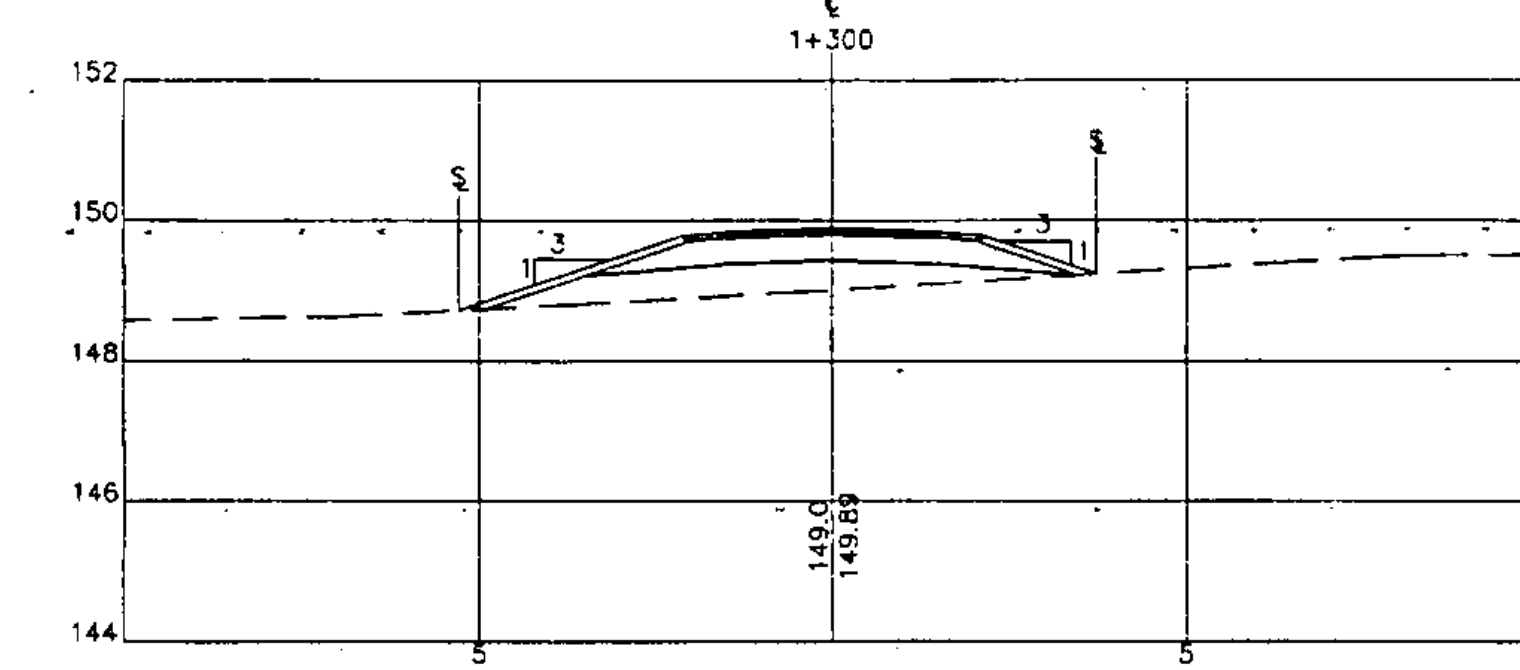


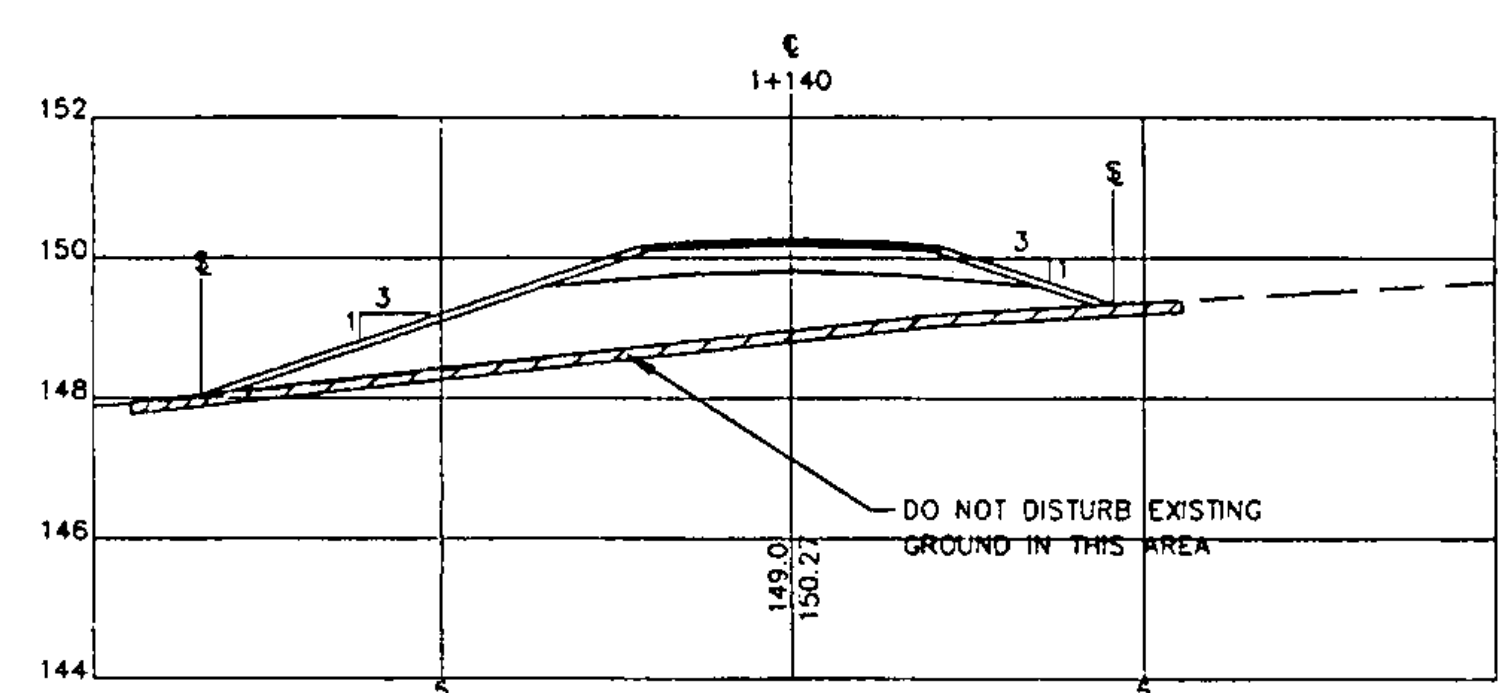
STATION 1+160



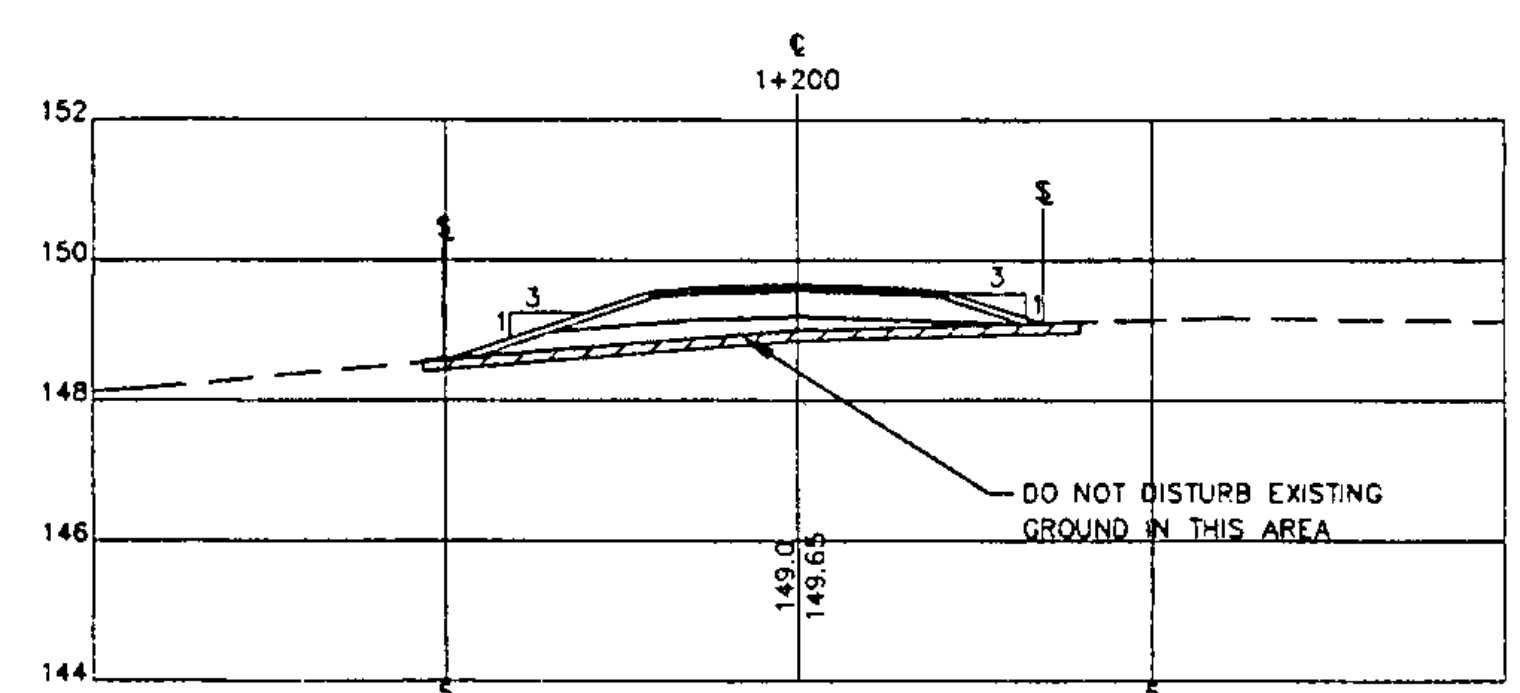
STATION 1+220



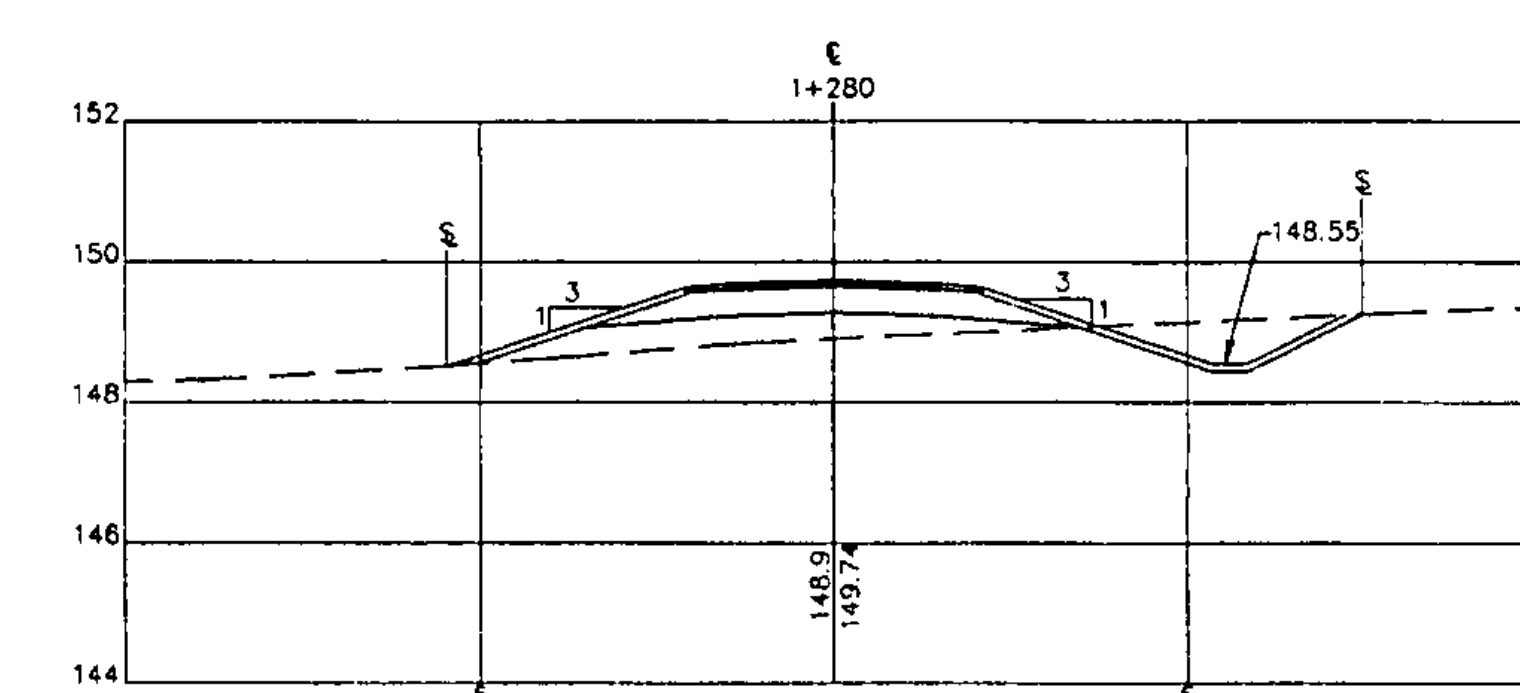
STATION 1+300



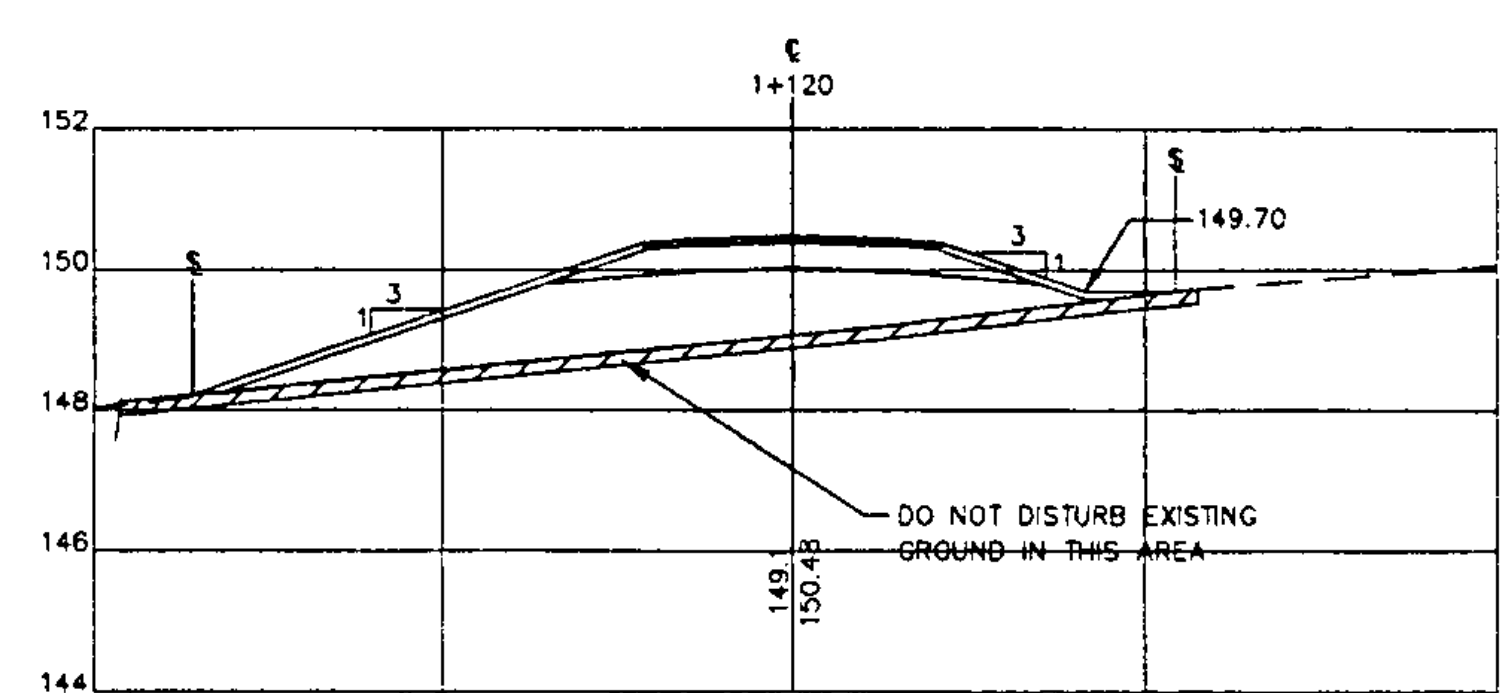
STATION 1+140



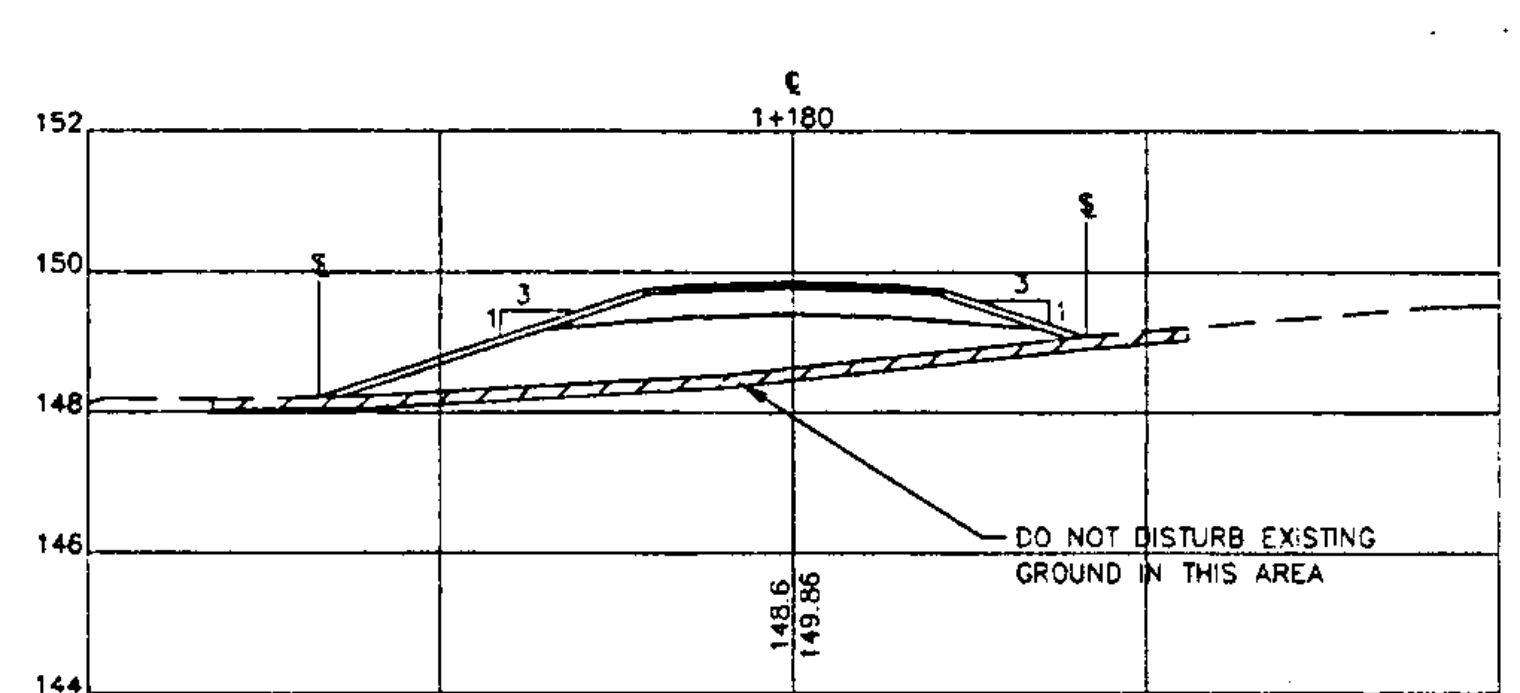
STATION 1+200



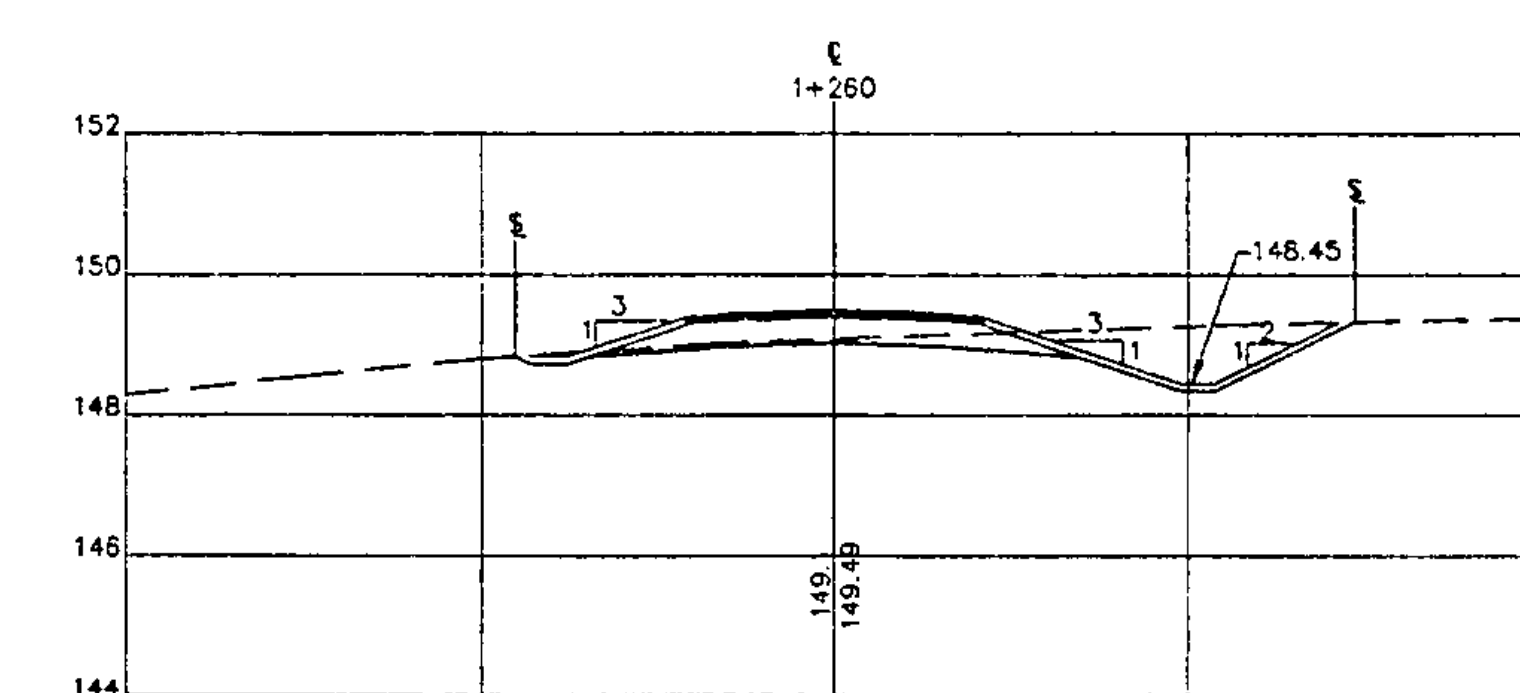
STATION 1+280



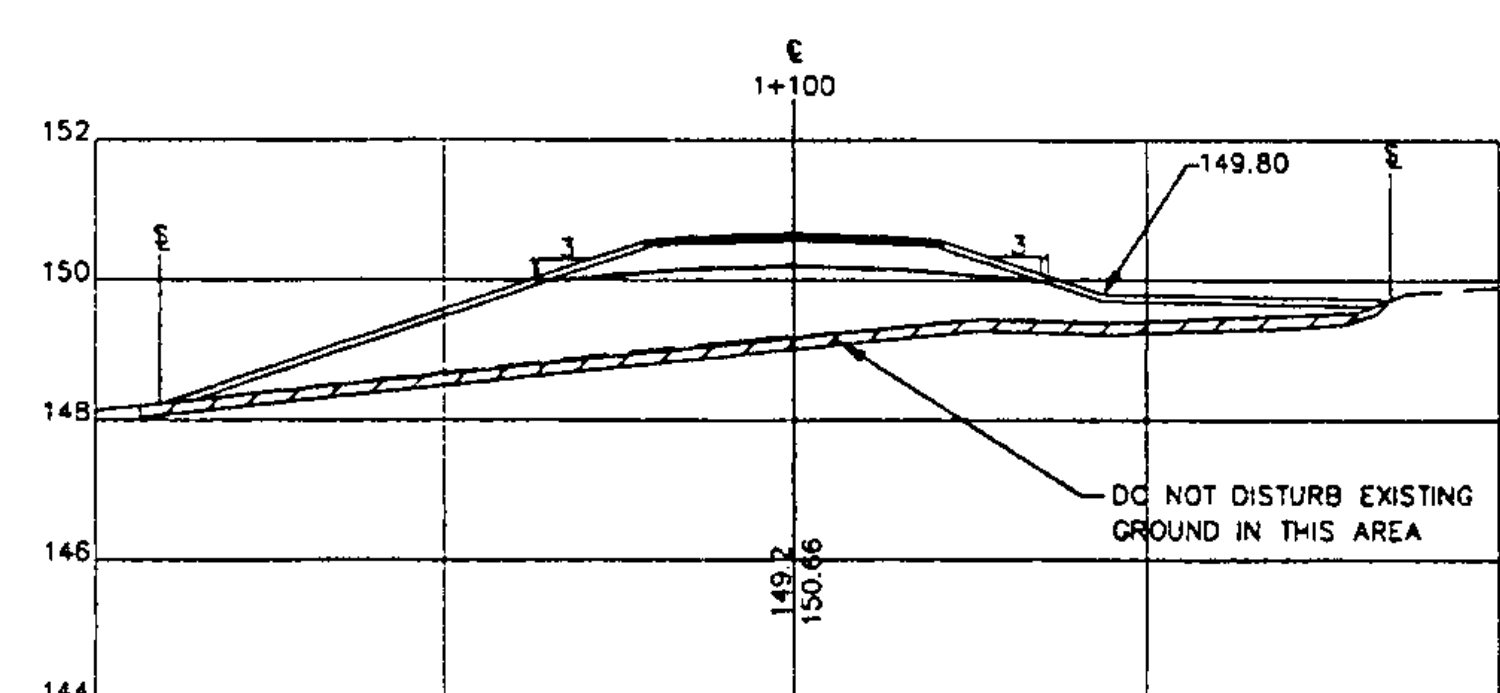
STATION 1+120



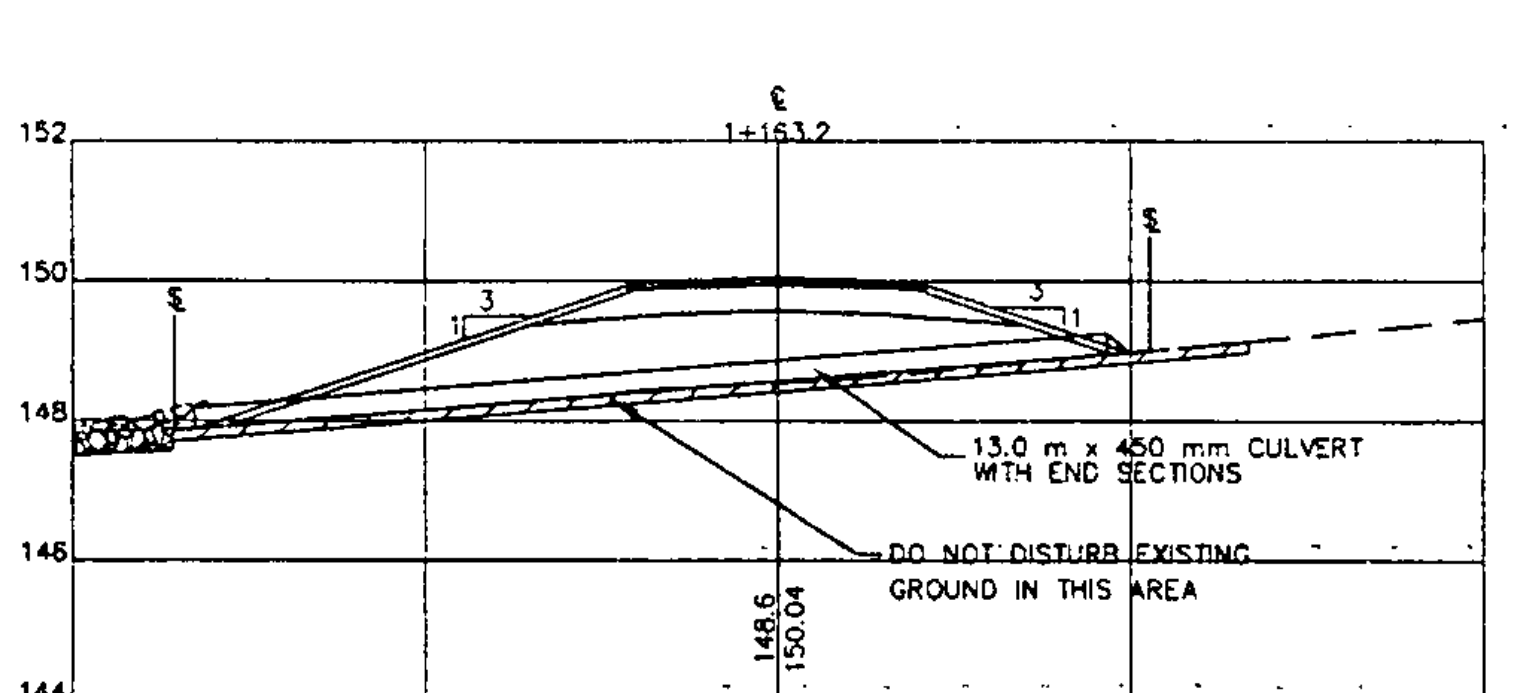
STATION 1+180



STATION 1+260

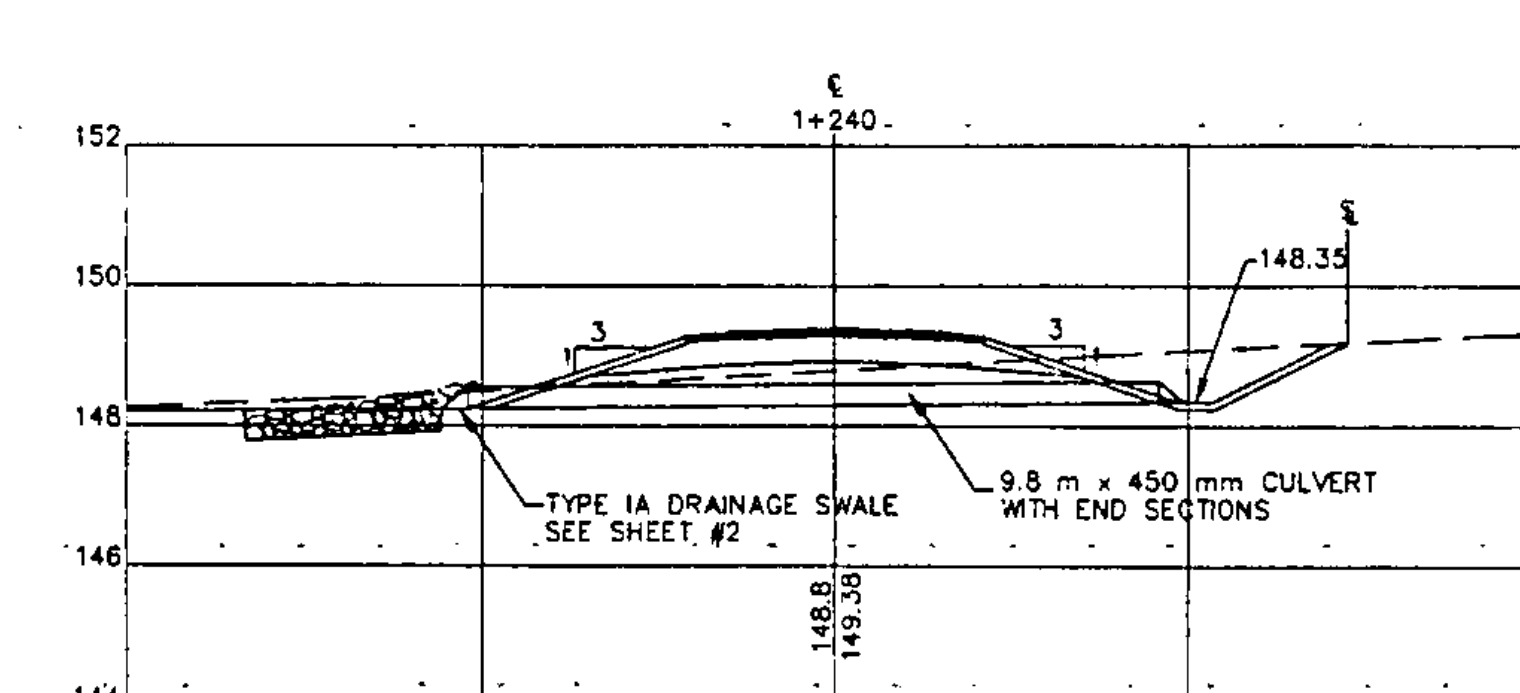


STATION 1+100



SKewed SECTION

STATION 1+163.2



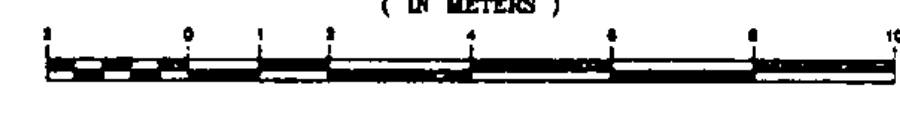
STATION 1+240

LEGEND

- SLOPE RIGHTS AND CLEARING LIMITS
- EXISTING GROUND

GRAPHIC SCALE

(IN METERS)



1 : 100

LAMOUREUX, STONE & O'LEARY
 Consulting Engineers Inc.
 14 Morse Drive
 Essex Junction, VT 05452
 (802) 878-4450
 Engineers-Planners-Surveyors



WILLISTON BIKE PATH
 JOB #: 93-064 STP BIKE (6)
 DRAWING #:
 19 OF 36