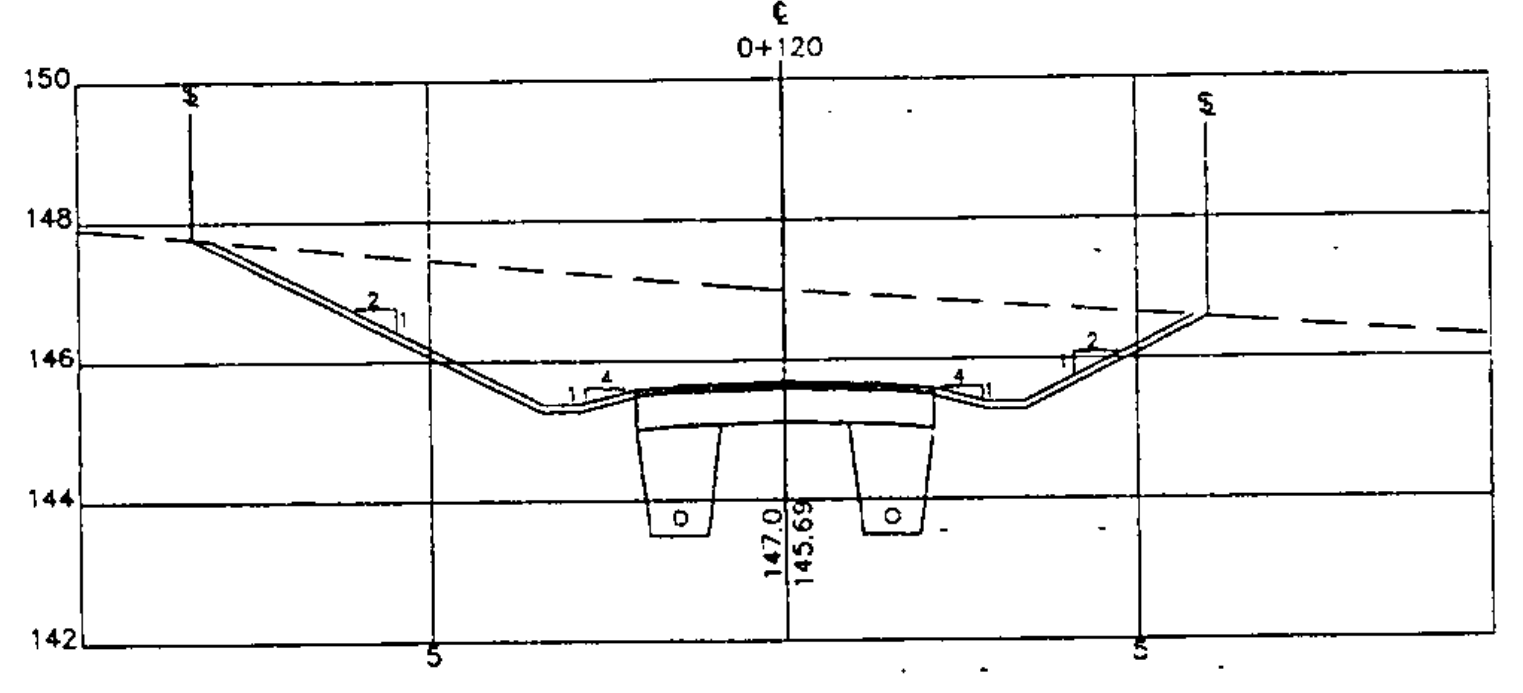
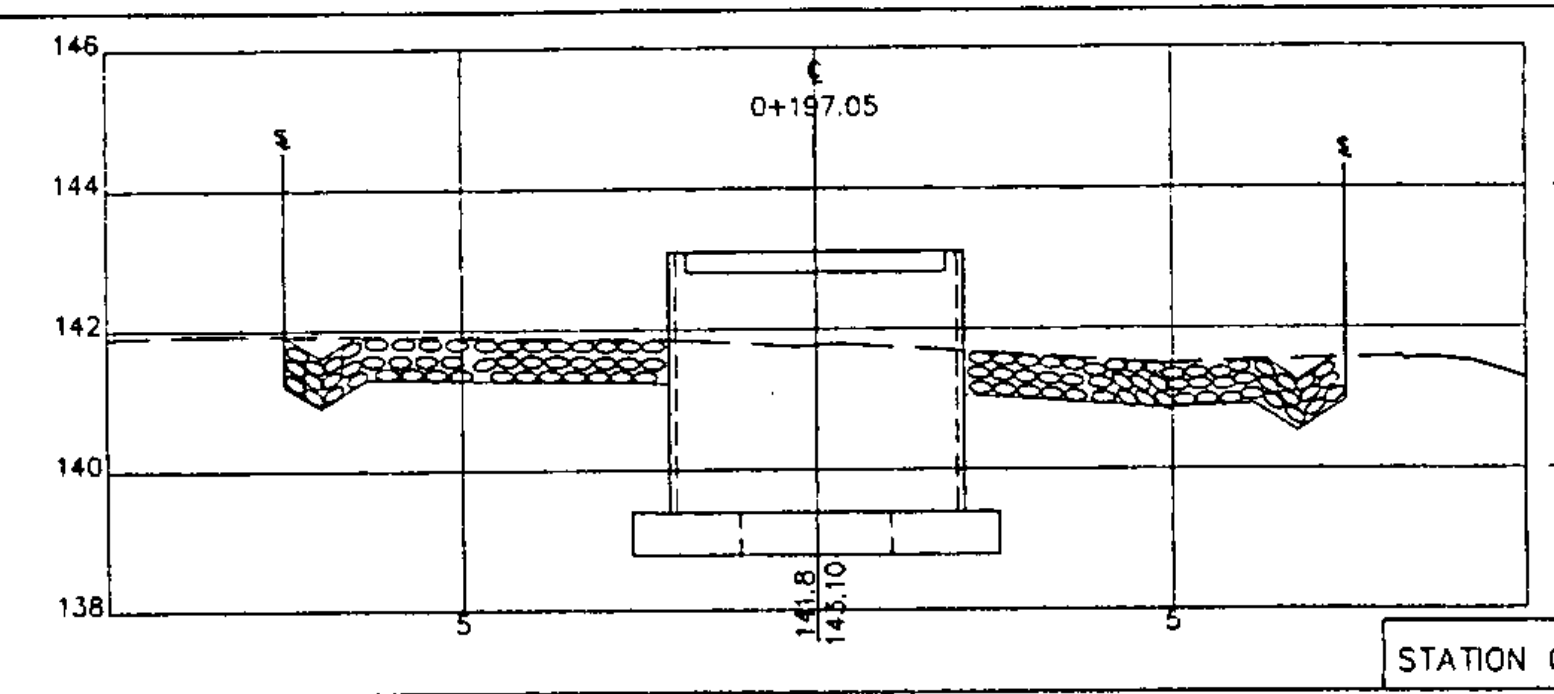


SKewed SECTION

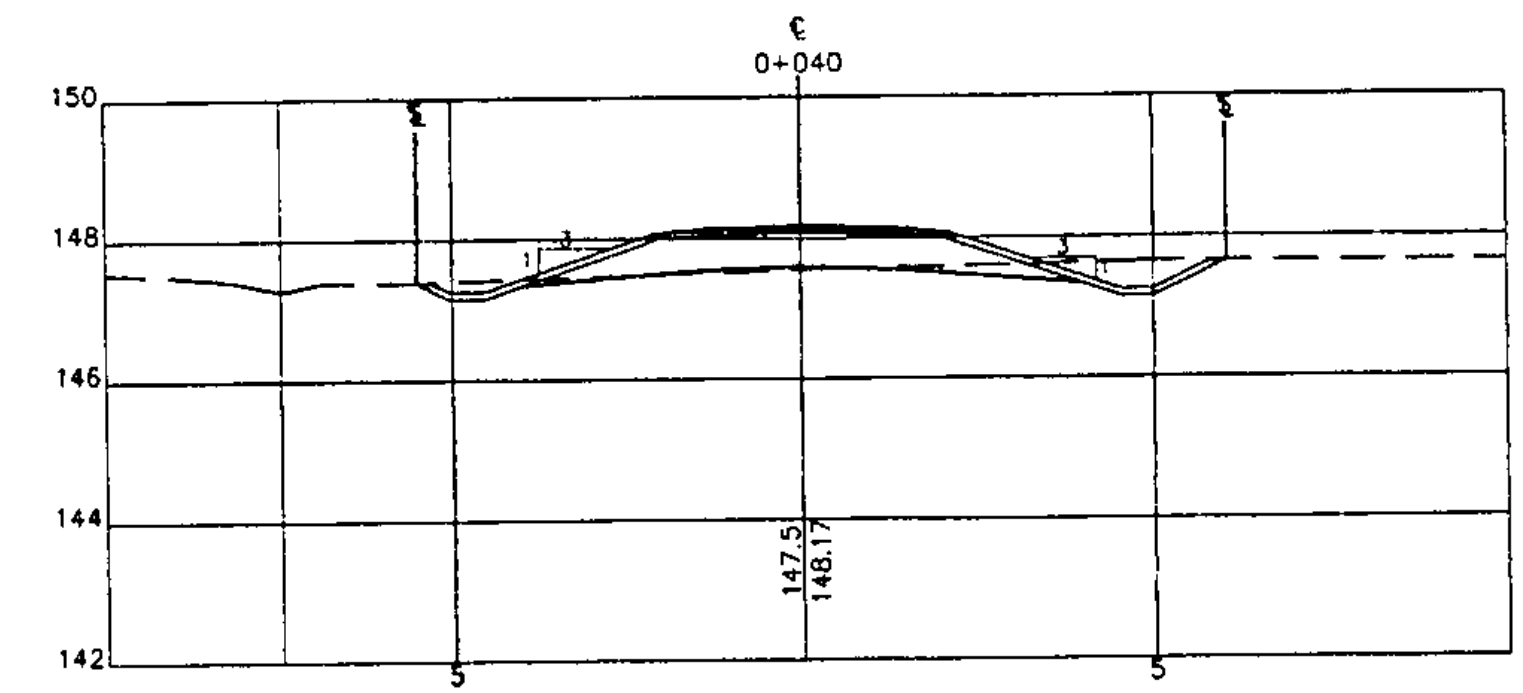
STATION 0+052.2



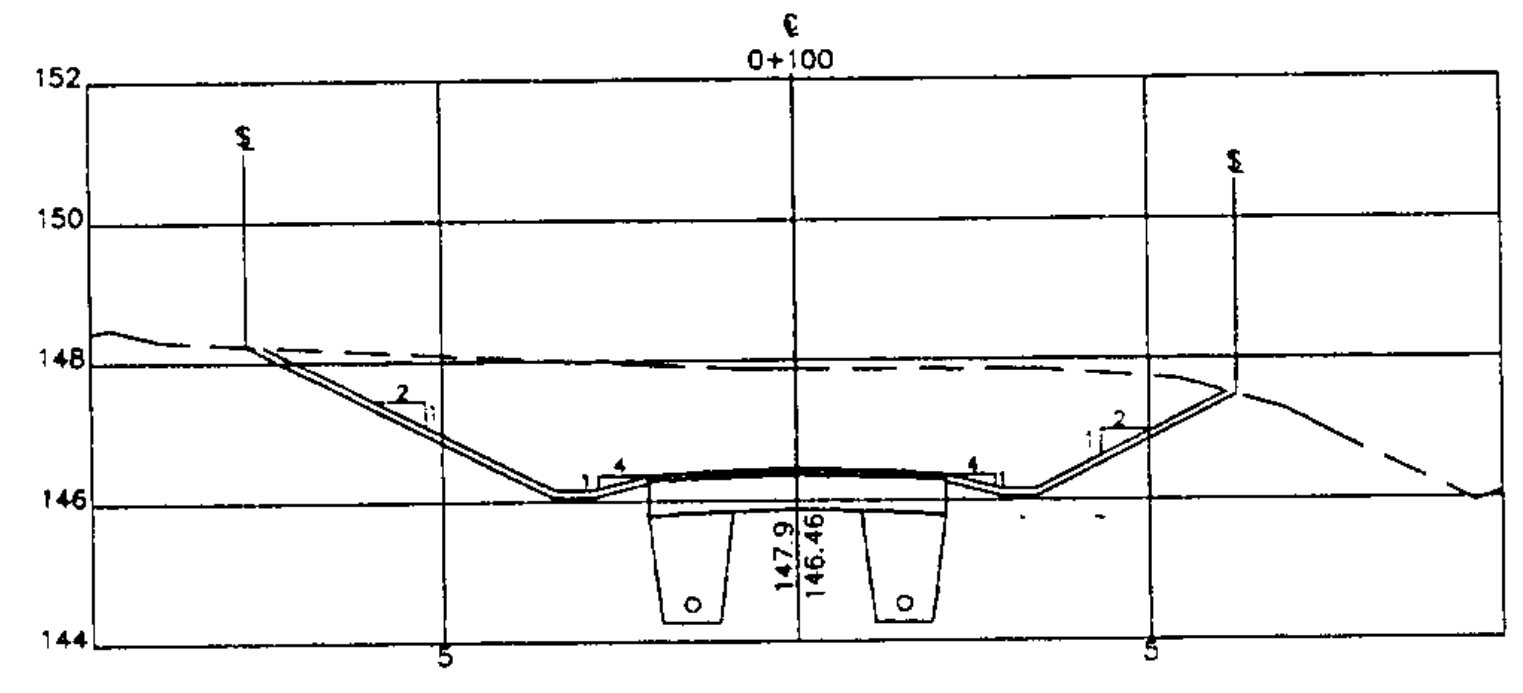
STATION 0+120



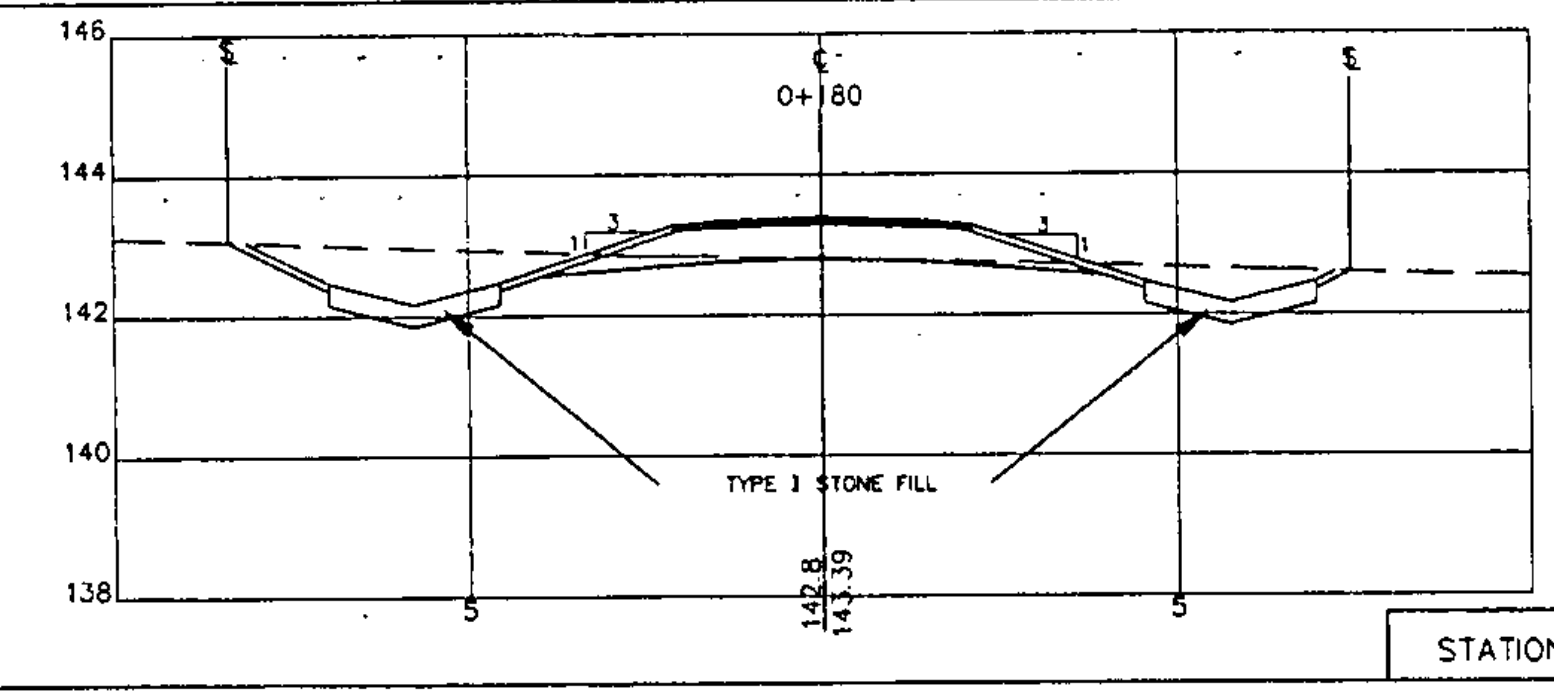
STATION 0+197.05



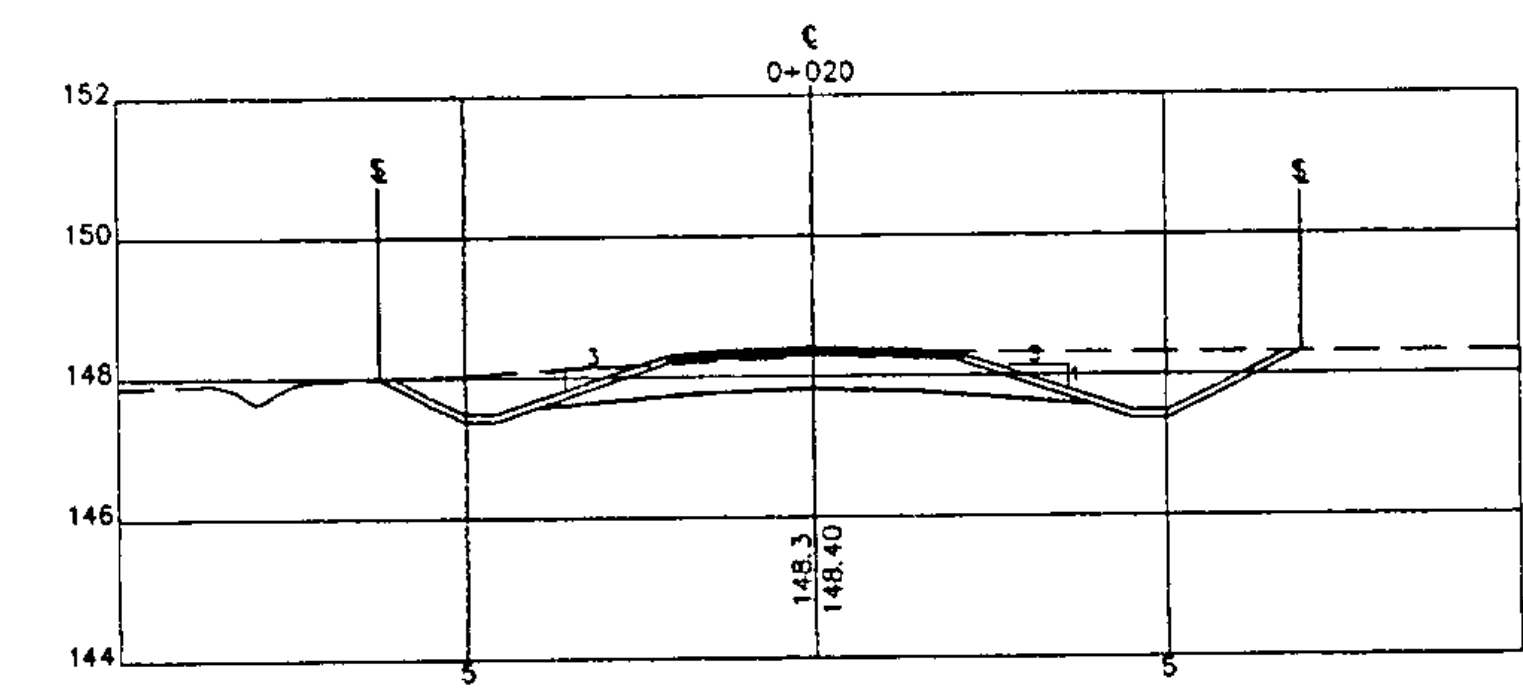
STATION 0+040



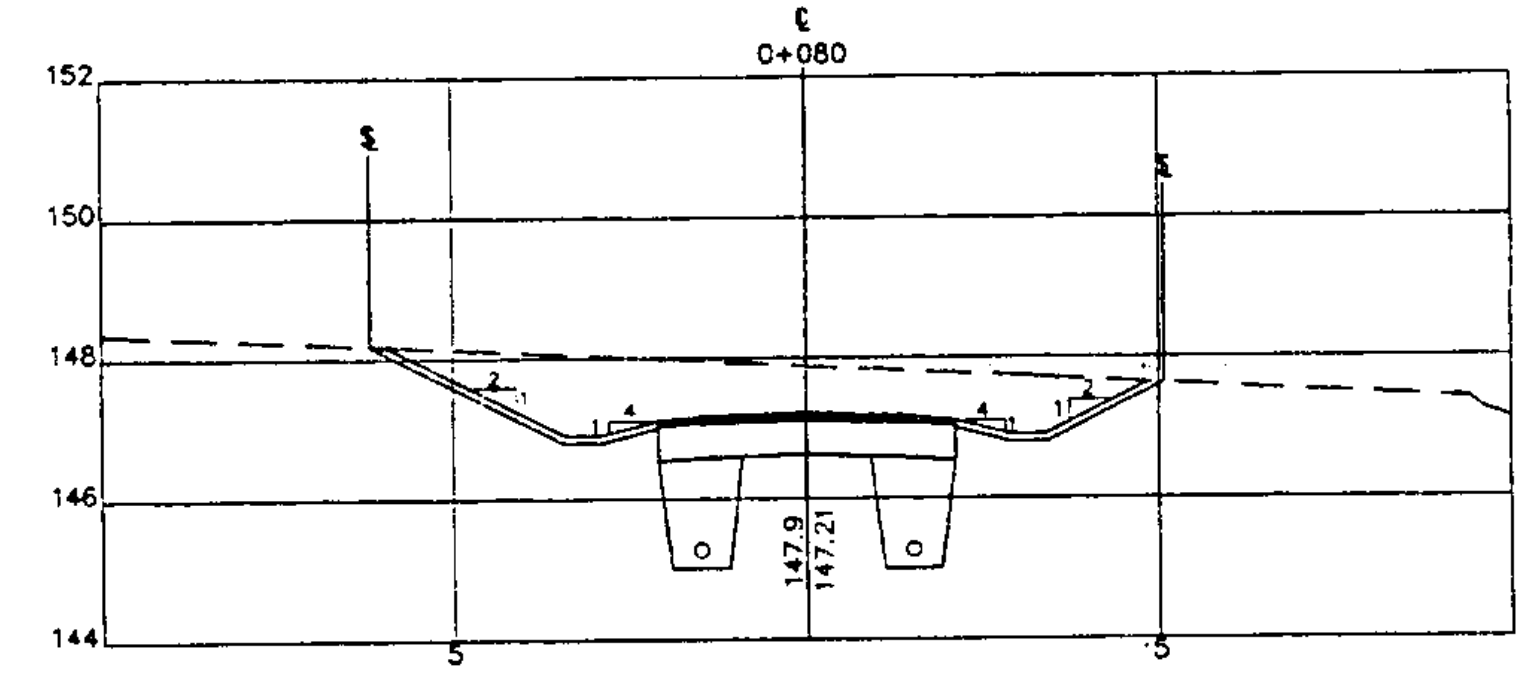
STATION 0+100



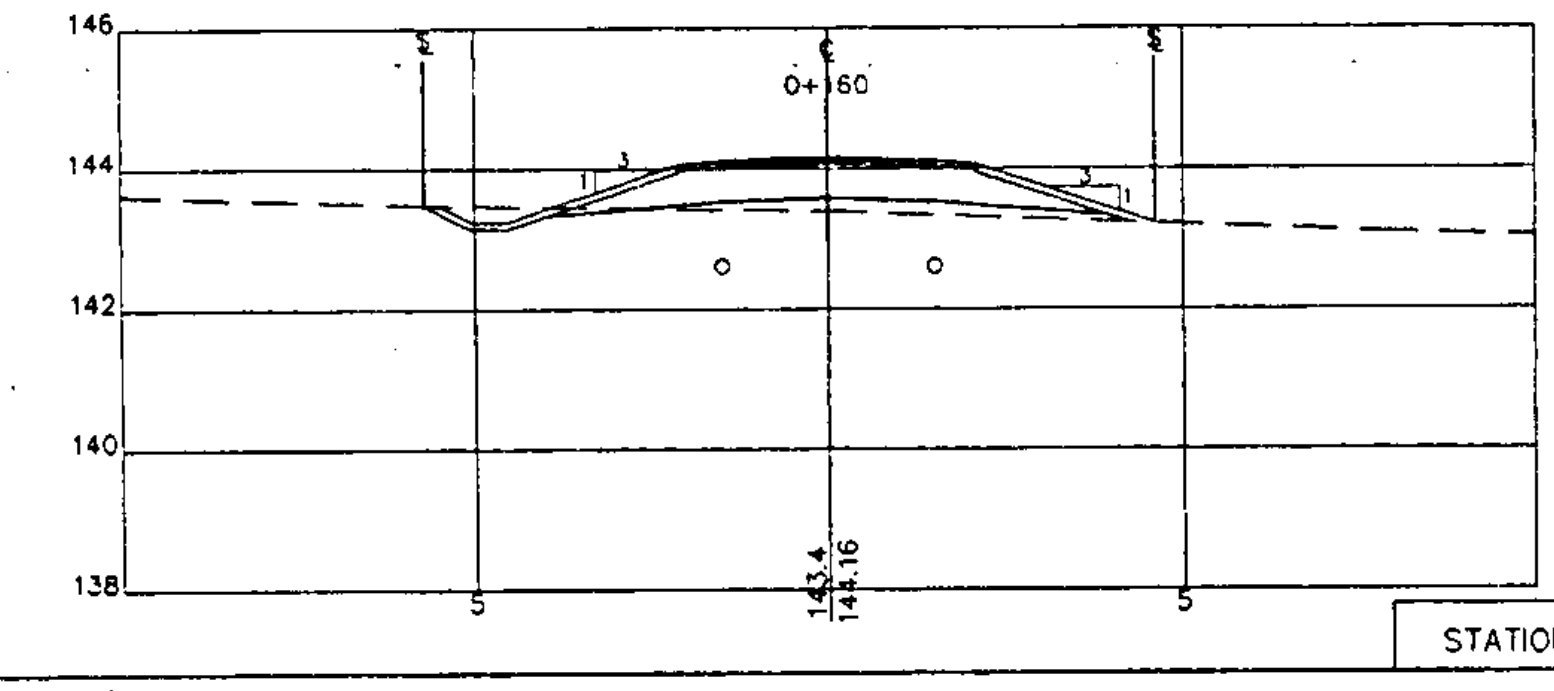
STATION 0+180



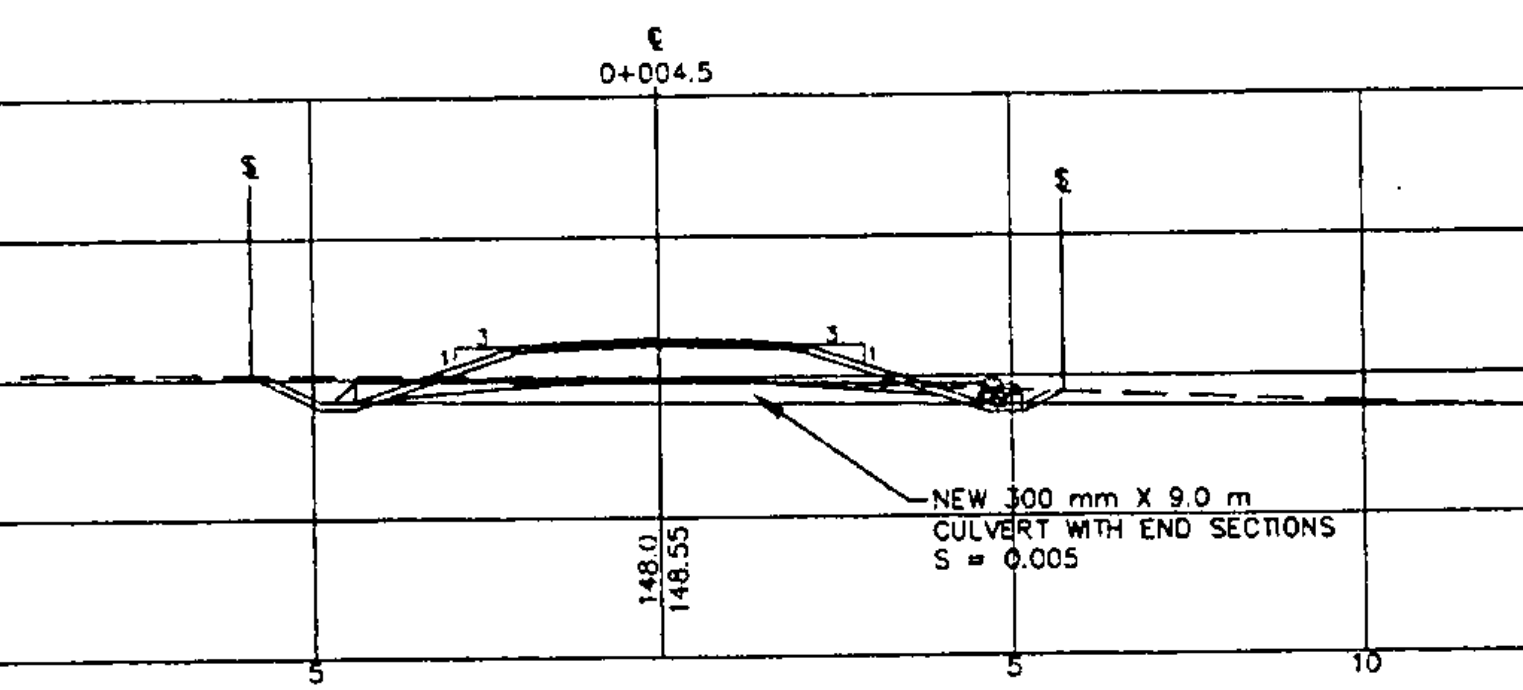
STATION 0+020



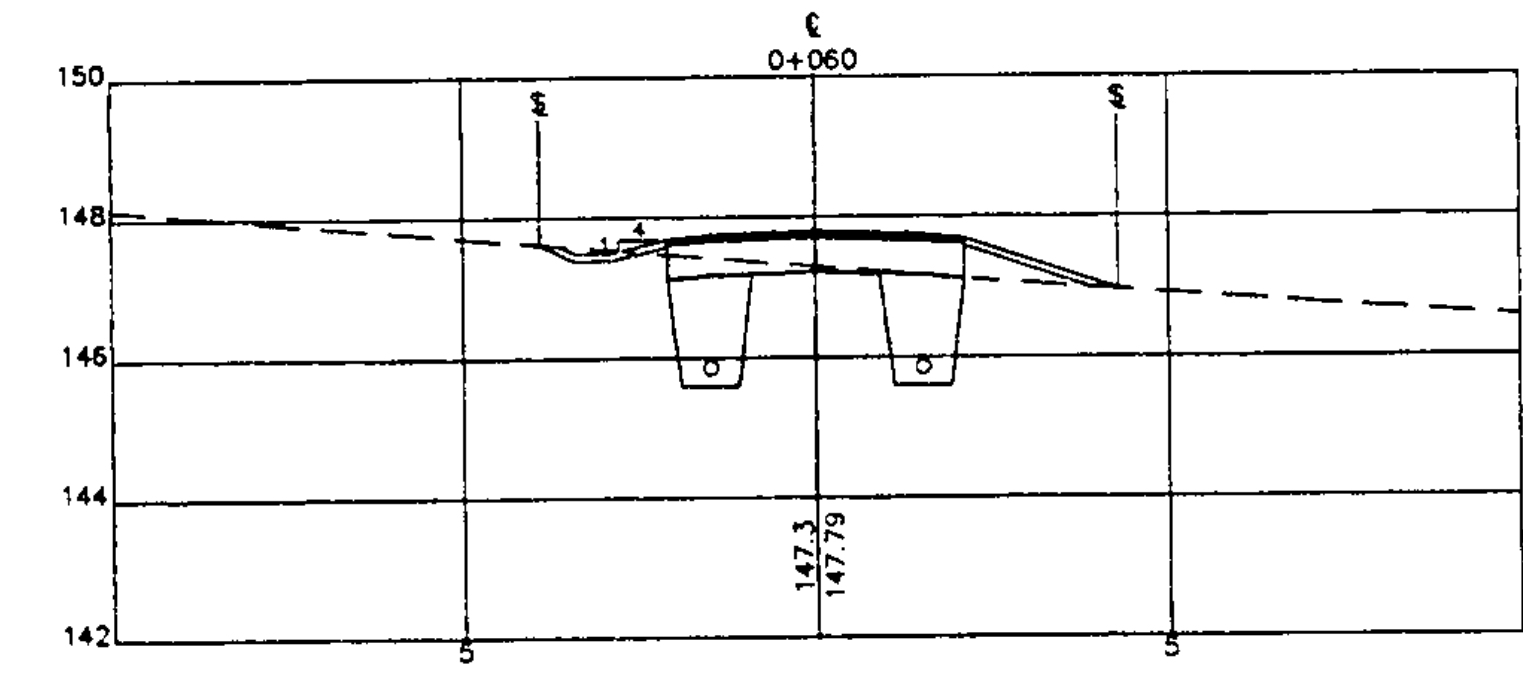
STATION 0+080



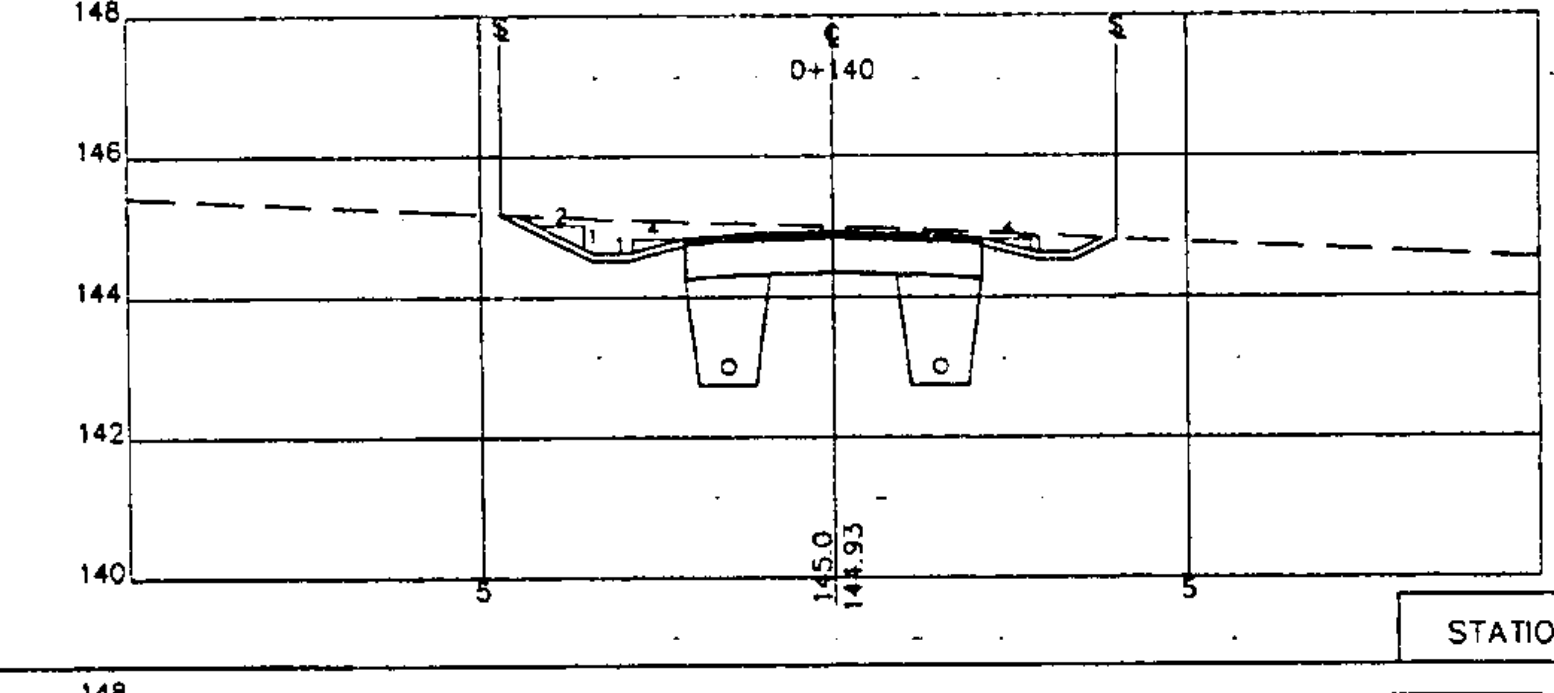
STATION 0+160



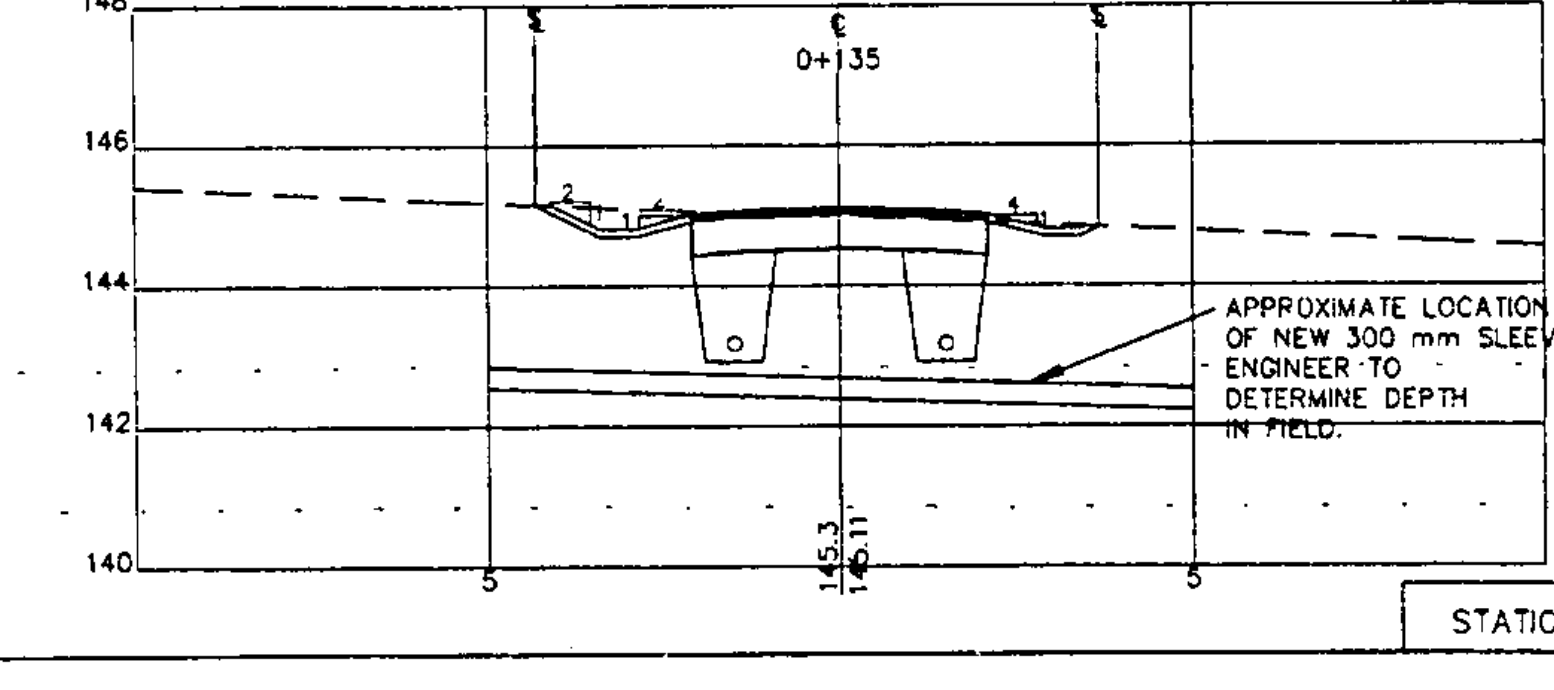
STATION 0+004.5



STATION 0+060



STATION 0+140



STATION 0+135

LEGEND

- SLOPE RIGHTS AND CLEARING LIMITS
- EXISTING GROUND

GRAPHIC SCALE

(IN METERS)



1 : 100

LAMOUREUX & STONE

14 Morse Drive
Essex Junction, Vermont 05452
(802) 878-4450

Consulting Engineers Inc.



WILLISTON BIKE PATH

JOB #: 93-064 STP-BIKE (9)

DRAWING #:

14 OF 36