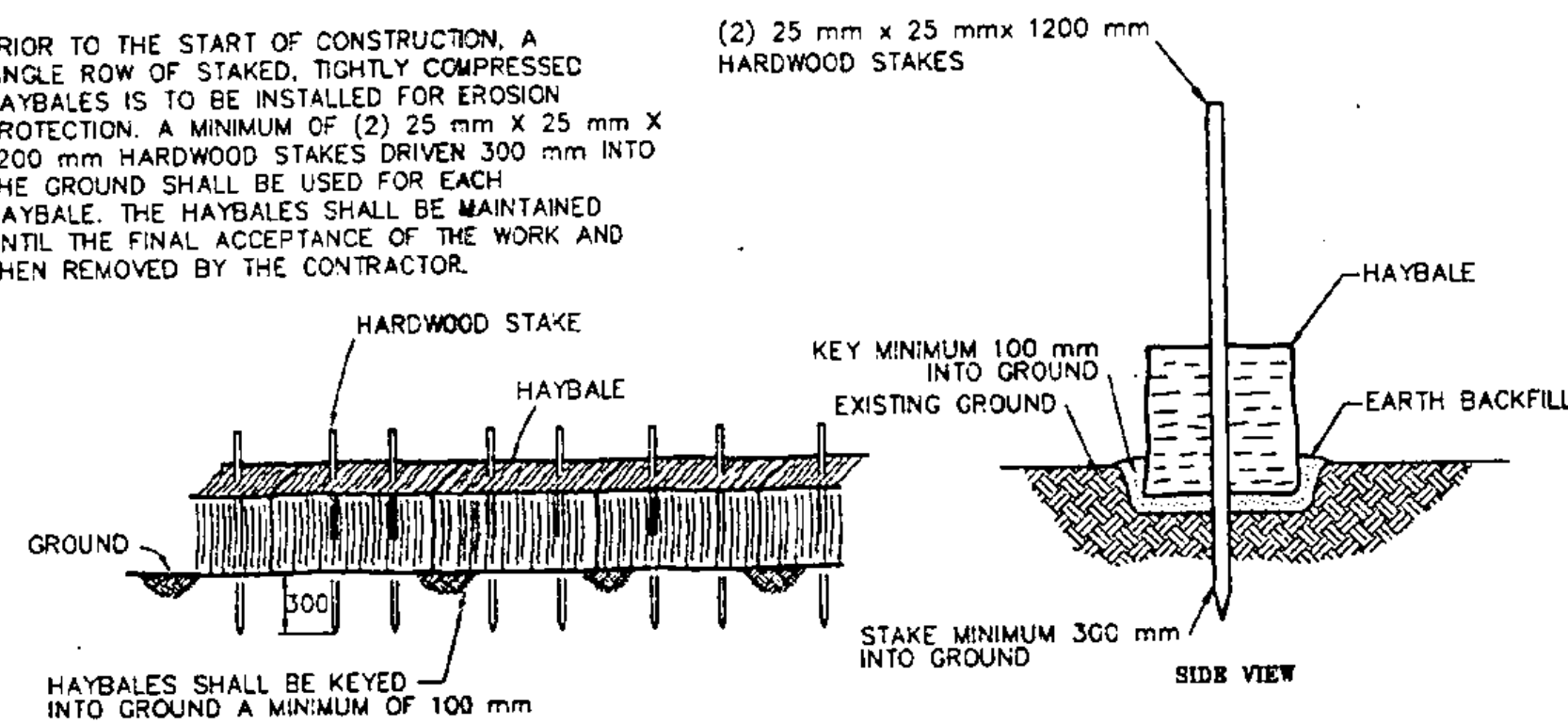
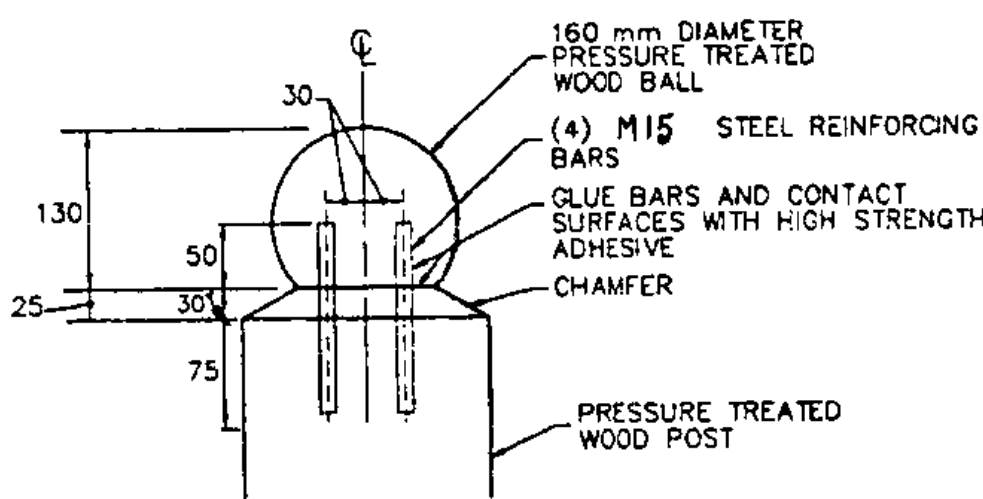


PRIOR TO THE START OF CONSTRUCTION, A SINGLE ROW OF STAKED, TIGHTLY COMPRESSED HAYBALES IS TO BE INSTALLED FOR EROSION PROTECTION. A MINIMUM OF (2) 25 mm X 1200 mm HARDWOOD STAKES DRIVEN 300 mm INTO THE GROUND SHALL BE USED FOR EACH HAYBALE. THE HAYBALES SHALL BE MAINTAINED UNTIL THE FINAL ACCEPTANCE OF THE WORK AND THEN REMOVED BY THE CONTRACTOR.



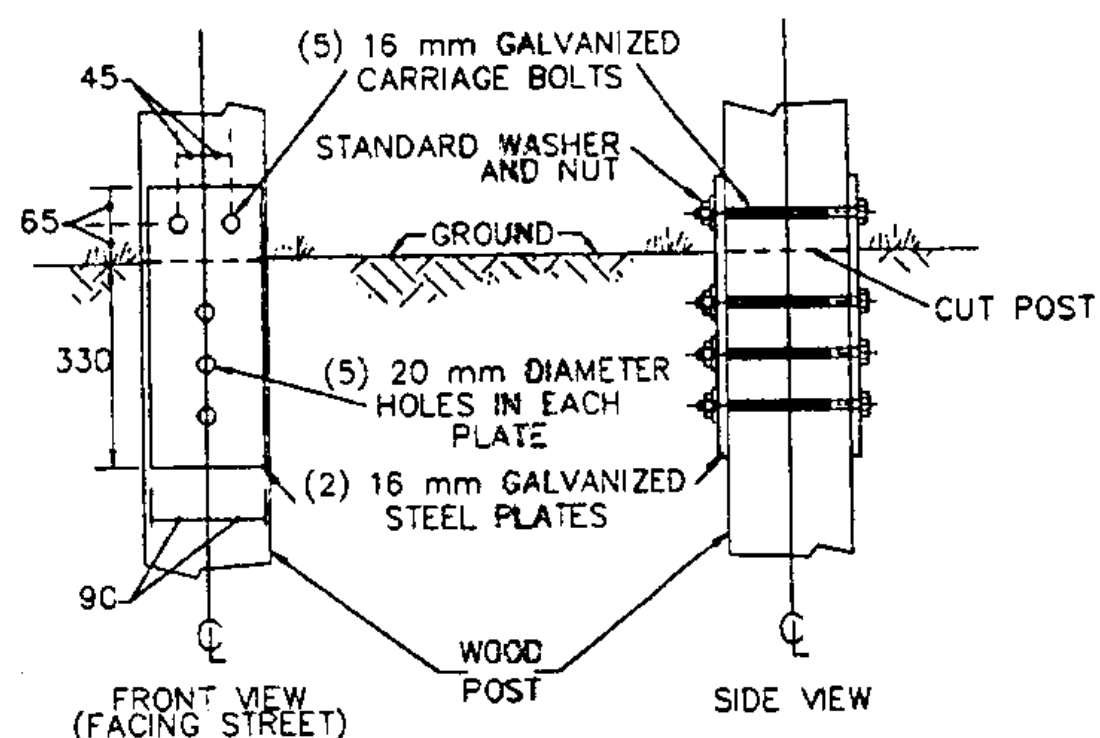
**HAYBALE DAM EROSION CONTROL BARRIER**

NTS



**WOOD BALL FASTENING DETAIL**

NTS



**BENCH SPECIFICATIONS**

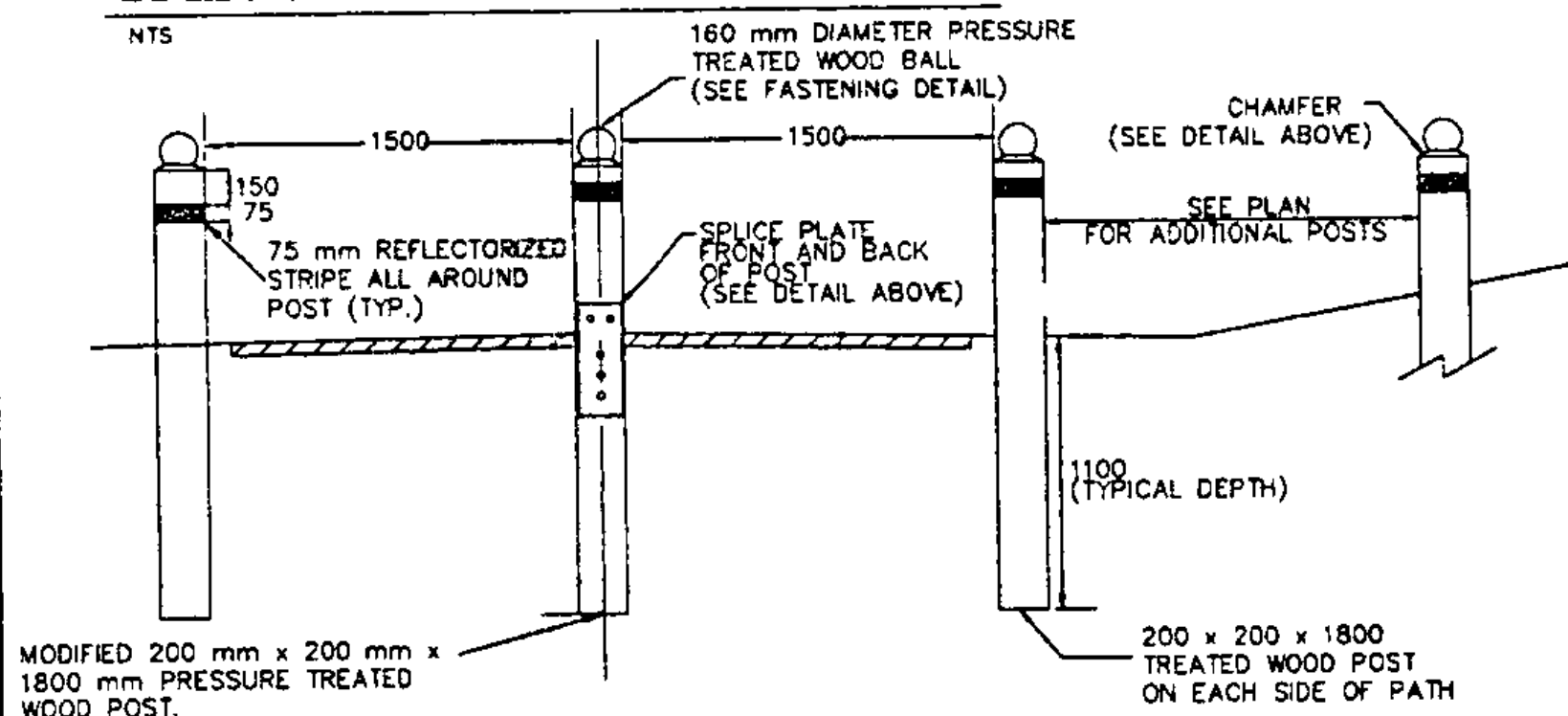
1. THE BENCH SHALL BE 1000 mm TO 2000 mm FROM EDGE OF PAVED PATH.
2. ALL LUMBER SHALL HAVE A MAXIMUM MOISTURE CONTENT OF 20% AND A MINIMUM OF 9.6 KG PER CUBIC METER OF PRESSURE TREATMENT IN ACCORDANCE WITH THE REQUIREMENTS OF AASHTO M 232.
3. ANY CUT PORTIONS OF LUMBER SHALL RECEIVE A FIELD APPLICATION OF THE TYPE OF PRESERVATIVE USED.
4. APPLY TWO COATS OF OIL BASE DECK STAIN WITH WATER REPELLENT AND ANTI-FUNGAL AGENTS TO LUMBER WHEN COMPLETED AND WOOD PRESERVATIVE HAS DRIED.
5. THE STAIN COLOR SHALL BE GREEN, GREY, OR BROWN EARTHEN TONE APPROVED BY THE ENGINEER.
6. THE NAILS AND BOLTS SHALL BE OF LOW TO MEDIUM CARBON STEEL GALVANIZED AND SHALL BE OF GOOD COMMERCIAL QUALITY. THE GALVANIZING SHALL BE IN ACCORDANCE WITH AASHTO M 232.
7. THE HARDWARE, PRESERVATIVE, AND STAIN SHALL BE SUBSIDIARY TO REST AREA BENCH ITEM.

**WOOD BENCH DETAIL**

NTS

**SPLICE PLATE DETAIL**

NTS



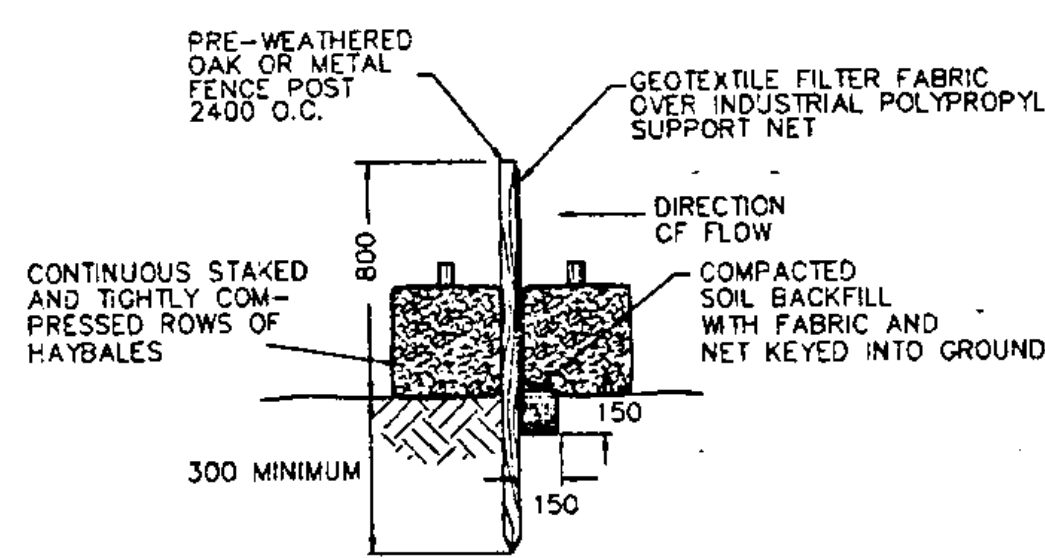
**ADDITIONAL SPECIFICATIONS**

1. ALL LUMBER SHALL HAVE A MAXIMUM MOISTURE CONTENT OF 20% AND A MINIMUM OF 9.6 KG PER CUBIC METER OF PRESSURE TREATMENT IN ACCORDANCE WITH THE REQUIREMENTS OF AASHTO M 232.
2. ANY CUT PORTIONS OF POSTS SHALL RECEIVE A FIELD APPLICATION OF THE TYPE OF PRESERVATIVE USED.
3. APPLY TWO COATS OF OIL BASE DECK STAIN WITH WATER REPELLENT AND ANTI-FUNGAL AGENTS TO POSTS WHEN COMPLETED AND WOOD PRESERVATIVE HAS DRIED.
4. POSTS AS A MINIMUM SHALL BE OUTSIDE THE CLEAR ZONE. EXACT LOCATION SHALL BE AS INDICATED ON THE PROJECT PLANS OR AS DETERMINED BY THE ENGINEER.
5. THE STAIN COLORS SHALL BE A BLACK BACKGROUND WITH REFLECTORIZED YELLOW DIAGONAL STRIPES APPLIED OVER THE BACKGROUND, AS AN ALTERNATIVE TO THE STRIPING AS STATED ABOVE. ALUMINUM PANELS MAY BE ATTACHED TO THE WOOD POSTS WITH THE SAME COLORS AND REFLECTIVITY.
6. THE HARDWARE, PRESERVATIVE AND STAIN ARE SUBSIDIARY TO THE GUIDE POST (MODIFIED) ITEM.

**VEHICLE BARRIER POSTS**

NTS

NOTE: TEMPORARY FENCE TO BE INSTALLED AND MAINTAINED BY THE CONTRACTOR TO CONTROL EROSION AS ORDERED BY THE ENGINEER OR SHOWN ON THE PLANS. USE ONLY MANUAL METHODS OF INSTALLATION AND CLEANING WITHIN WETLAND AND BUFFER ZONE.

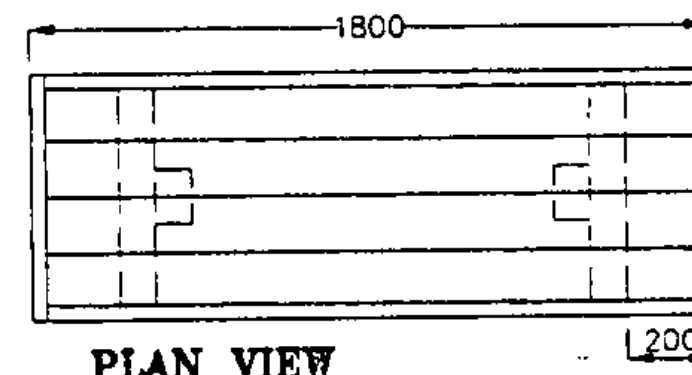


**INSTALLATION DETAIL**

NTS

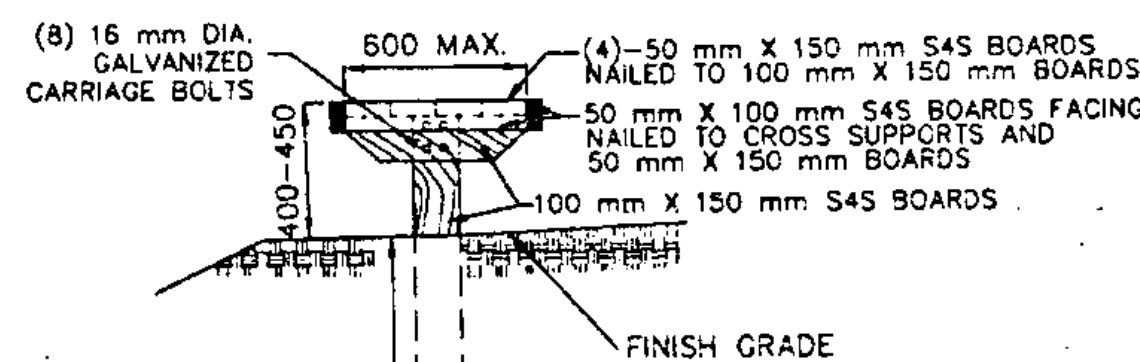
**TEMPORARY EROSION CONTROL FENCE**

NTS



**PLAN VIEW**

NTS



**SECTION VIEW**

NTS

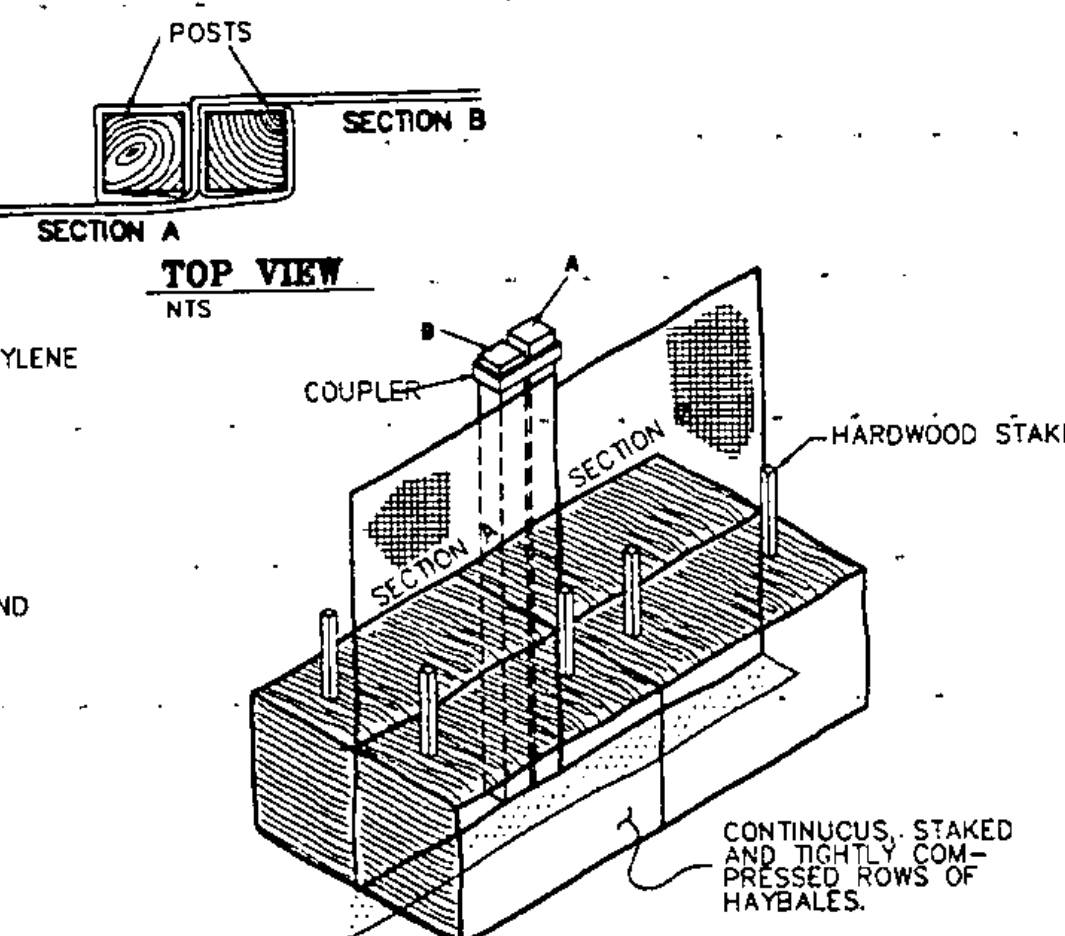
**LANDSCAPING SPECIFICATIONS**

ALL DISTURBED AREAS SHALL BE STABILIZED WITH SEEDING AND MULCHING PRIOR TO OCTOBER 1 OF EACH YEAR. ANY DISTURBED AREAS SHALL BE IMMEDIATELY SEEDED AND MULCHED WITHIN 15 DAYS. ANY WORK PERFORMED AFTER OCTOBER 1 OF EACH YEAR SHALL BE STABILIZED WITH MULCH OR NETTING SUFFICIENT TO PREVENT EROSION AND SHALL BE IMMEDIATELY SEEDED AND REMULCHED AS SOON AS WEATHER PERMITS IN THE SPRING. THESE AREAS SHALL RECEIVE A MINIMUM OF 50 mm OF TOPSOIL AND BE SEEDED, FERTILIZED, LIMED, AND MULCHED IN ACCORDANCE WITH THE FOLLOWING:

1. SEED MIXTURE IN ALL AREAS SHALL BE URBAN MIX CONFORMING TO THE TABLE SHOWN BELOW. FOR SEEDING BETWEEN SEPTEMBER 1 AND OCTOBER 1, WINTER RYE SHALL BE USED AT AN APPLICATION RATE OF 90 kg PER HECTARE.
2. FERTILIZER: FORMULA 10-20-10 TO BE USED WITH SEED, APPLIED AT THE RATE OF 560 kg PER HECTARE. HYDRO SEEDRES MAY USE 19-19-19 FORMULA.
3. THE LIMESTONE SHALL CONFORM TO ALL STATE AND FEDERAL REGULATIONS AND TO THE STANDARDS OF THE ASSOCIATION OF OPTICAL AGRICULTURAL CHEMISTS. THE LIMESTONE SHALL BE APPLIED AT A RATE OF 4500 kg PER HECTARE OR AS DIRECTED.
4. WITHIN 24 HOURS OF APPLICATION OF FERTILIZER, LIME, AND SEED, THE SURFACE SHALL BE MULCHED WITH A HAY MULCH. MULCH SHALL BE SPREAD UNIFORMLY OVER THE AREA AT A RATE OF 4500 kg PER HECTARE OR AS ORDERED BY THE ENGINEER.
5. ALL EXCAVATION, TOPSOIL, FERTILIZER, MULCH MATERIAL, WEED CONTROL FABRIC AND PLANTING MIX FOR INSTALLATION OF THE TREES, SHRUBS, GROUND COVERS, AND VINES SHALL BE INCLUDED IN THE UNIT PRICE BID FOR THE SPECIFIC PLANTS.
6. ALL AREAS OF MASSES AND GROUPED SHRUB PLANTINGS ARE TO BE MULCHED WITH SHREDDED BARK MULCH.

**URBAN MIX GRASS SEED**

% BY WEIGHT	kg LIVE SEED PER ha	TYPE OF SEED	% PURE	% GERMINATION
42.2	38	CREEPING RED FESCUE	97	80
10.0	9	PERENNIAL RYE GRASS	98	90
42.2	38	KENTUCKY BLUEGRASS	85	80
5.6	5	ANNUAL RYE GRASS	90	90
100	90 kg LIVE SEED / ha			



**JOINING SECTIONS OF FENCE**

NTS

**WILDFLOWER SEEDING NOTES**

1. PREPARATION
  - A. AN APPROVED HERBICIDE WILL BE APPLIED TWO WEEKS PRIOR TO TILLING (TO ALLOW FOR DIEBACK) BY A CERTIFIED APPLICATOR ACCORDING TO RECOMMENDATIONS ON MANUFACTURER'S LABEL.
  - B. MOW AREA BEFORE TILLING.
  - C. TILL OR DISC HARROW SITE TO A DEPTH OF 150 mm.
  - D. DO NOT ADD ANY SOIL AMENDMENTS OR FERTILIZER.
  - E. IF SOIL IS LOW IN ORGANIC MATERIAL (WITH LESS THAN 1% DECAYED ORGANIC MATERIAL), 75 mm OF TOPSOIL MAY BE ADDED. TOPSOIL SHALL BE PAID FOR AT THE CONTRACT UNIT PRICE BID.
2. SEED
  - A. RATE: 0.45 kg PER 180 m<sup>2</sup>.
  - B. METHOD: HAND BROADCAST OR MECHANICAL SPREADER. MIX SEED WITH CLEAN SAND AT A RATE OF ONE PART SEED TO TEN PARTS SAND. DRILL SEED INTO SOIL WITH GARDEN ROLLER. NO MULCH SHALL BE APPLIED TO WILDFLOWER SEEDING AREAS.
  - C. MIXTURE: SEE WILDFLOWER SEEDING FORMULA.
3. SCHEDULE:
  - A. HERBICIDE: SPRAY SITE ABOUT THE FIRST WEEK OF MAY.
  - B. TILLING: TILL OR DISC HARROW SITE ABOUT THE THIRD WEEK OF MAY.
  - C. SEEDING: SEED BEFORE THE END OF MAY, PREFERABLY SOON AFTER TILLING TO ASSURE GERMINATION AND MOISTURE.
4. THE COST OF ALL WILDFLOWER SEEDING INCLUDING HERBICIDES PREPARATION OF THE AREA, SEEDING AND ROLLING SHALL BE INCLUDED IN THE UNIT PRICE BID FOR "WILDFLOWER SEED".
5. WILDFLOWER LOCATIONS SHOWN ON THE PLANS ARE APPROXIMATE. ACTUAL WILDFLOWER SEEDING AREAS SHALL BE DETERMINED BY THE ENGINEER IN THE FIELD.
6. AVOID STRAIGHT LINE PLANTING. THE EDGES OF THE WILDFLOWER SEEDING AREAS SHALL BE GENTLY CURVED.
7. WILDFLOWERS SHALL BE SEEDED AT THE FOLLOWING LOCATIONS ALONG THE PATH:
 

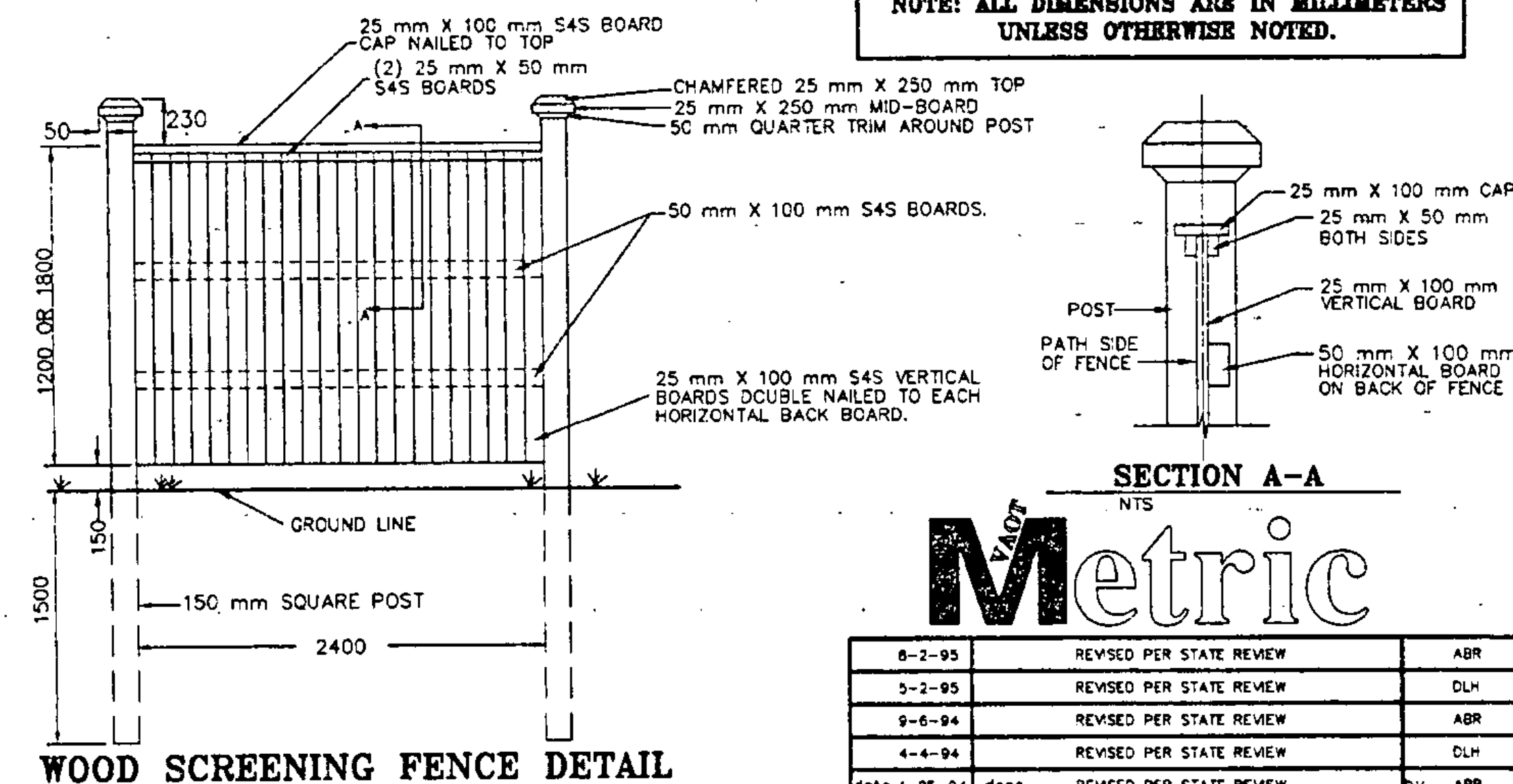
APPROXIMATE LOCATION	AREA
0+245 RT.	180 m <sup>2</sup>
0+605 RT.	180 m <sup>2</sup>

ACTUAL SEEDING LIMITS TO BE DETERMINED BY THE ENGINEER IN THE FIELD.

**WILDFLOWER SEEDING FORMULA**

BOTANICAL NAME	COMMON NAME	TYPE	COLOR	% OF MIX
CENTAUREA CYANUS-DWARF	CORNFLOWER	A	MIXED PINK, BLUE, WHITE	15
CLARKIA AMOENA	FAREWELL TO SPRING	A	PINK	15
COREOPSIS TINCTORIA	PLAINS COREOPSIS	A	YELLOW/RED	5
ESCHSCHOLZIA CALIFORNICA	CALIFORNIA POPPY	A	ORANGE	15
GYPSOPHILA ELEGANS	BABY'S BREATH	A	WHITE	15
LUPINUS SUCCULENTUS	ARROYO LUPINE	A	BLUE	5
NEMOPHILA MENZIESII	BABY BLUE EYES	A	BLUE	10
PHACELIA CAMPANULARIA	DESERT BLUEBELL	A	BLUE	10
LOBULARIA MARITIMA	SWEET ALYSSUM	A	WHITE	5
DIRBORPHOTECA SINUATA	AFRICAN DAISY	A	WHITE, ORANGE, YELLOW	5

NOTE: ALL DIMENSIONS ARE IN MILLIMETERS UNLESS OTHERWISE NOTED.



**WOOD SCREENING FENCE DETAIL**

NTS

**FENCE SPECIFICATIONS**

1. ALL LUMBER SHALL HAVE A MAXIMUM MOISTURE CONTENT OF 20% AND A MINIMUM OF 9.6 KG PER CUBIC METER OF PRESSURE TREATMENT IN ACCORDANCE WITH THE REQUIREMENTS OF AASHTO M 232.
2. ANY CUT PORTIONS OF FENCE OR POSTS SHALL RECEIVE A FIELD APPLICATION OF THE TYPE OF PRESERVATIVE USED.
3. APPLY TWO COATS OF OIL BASE DECK STAIN WITH WATER REPELLENT AND ANTI-FUNGAL AGENTS TO POSTS AND FENCE WHEN COMPLETED AND WOOD PRESERVATIVE HAS DRIED.
4. THE STAIN COLOR SHALL BE GREEN, GREY OR BROWN EARTHEN TONE APPROVED BY THE ENGINEER.
5. THE NAILS AND BOLTS SHALL BE OF LOW TO MEDIUM CARBON STEEL GALVANIZED AND SHALL BE OF GOOD COMMERCIAL QUALITY. THE GALVANIZING SHALL BE IN ACCORDANCE WITH AASHTO M 232.

**Metric**

DATE	REVISIONS	BY	ABR
8-2-95	REVISED PER STATE REVIEW		ABR
3-2-95	REVISED PER STATE REVIEW		DLH
9-6-94	REVISED PER STATE REVIEW		ABR
4-4-94	REVISED PER STATE REVIEW		DLH
date 1-25-94	desc. REVISED PER STATE REVIEW		BY ABR

STATE OF VERMONT  
AGENCY OF TRANSPORTATION

TRANSPORTATION PATH  
WILLISTON STP BIKE (9)  
IN  
WILLISTON  
VERMONT

LAMOUREUX, STONE & O'LEARY  
Consulting Engineers Inc.  
14 Morse Drive  
Essex Junction, VT 05452  
(802) 878-4450

Engineers-Planners-Surveyors

Proj. no. 93-064  
Survey BFD/HLS  
Design LAL  
Draw PJE/CLH  
Checked DLH/LAL  
Date 12-1-93

Scale NTS

3 OF 36