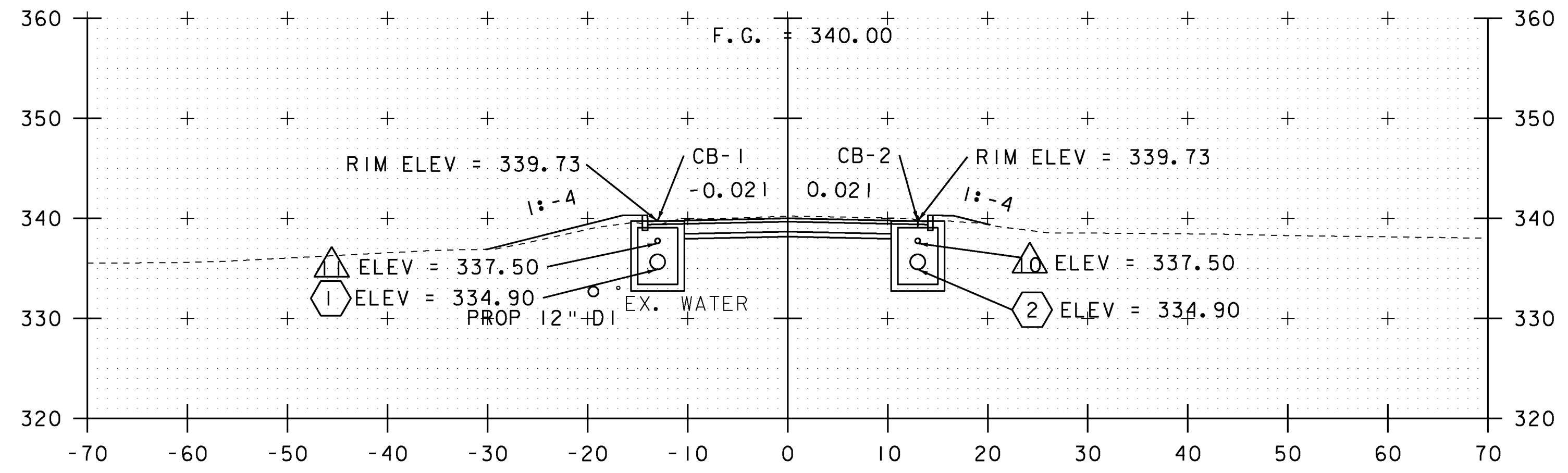
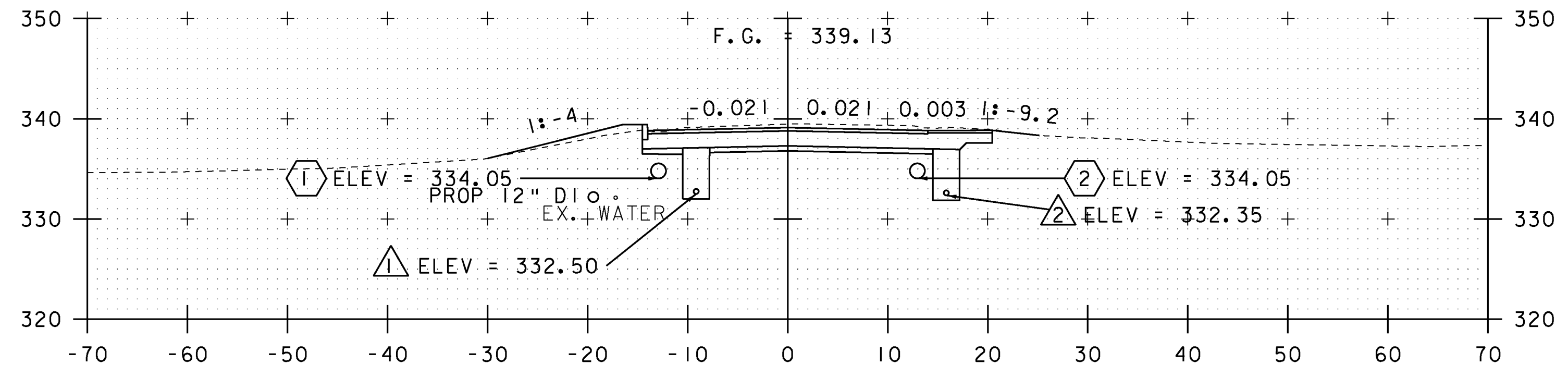


304+50

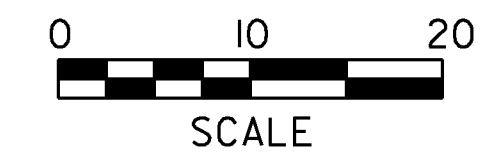


304+25



304+00

EXISTING & PROPOSED WATERLINES ARE FOR REFERENCE ONLY. PLEASE REFER TO WATERLINE SHEETS 102-104



NOTE:  
DRAINAGE FEATURES ARE NOT PROJECTED ONTO CROSS SECTIONS, PLEASE REFER TO DRAINAGE LAYOUT AND DRAINAGE PROFILE SHEETS FOR DETAILED INFORMATION (TYP.)

STA. 304+00 TO STA. 304+50

PROJECT NAME: MILTON	PLOT DATE: 23-FEB-2011
PROJECT NUMBER: STP 5800 (2)	DRAWN BY: D. LYMAN
FILE NAME: +92D289xsl.dgn	CHECKED BY: J. DEVLIN
PROJECT LEADER: J. SCHULTZ	SHEET 95 OF 104
DESIGNED BY: D. LYMAN	LAKE ROAD CROSS SECTION SHEET 5